

SUMMIT II ELECTRIC DESK **ASSEMBLY AND INSTRUCTION GUIDE**

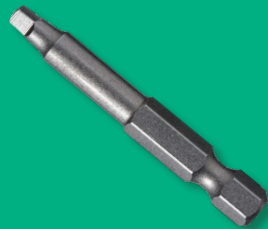




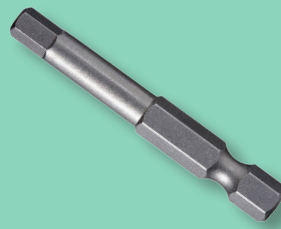
Tools Required



Battery Drill



#2 Square Drive Bit



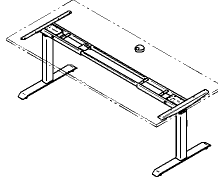
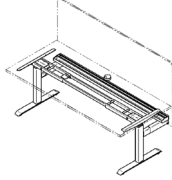
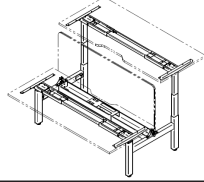
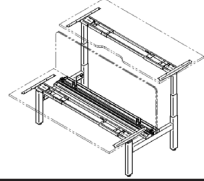
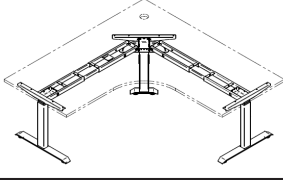
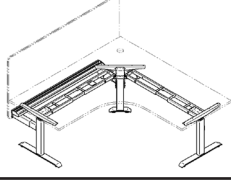
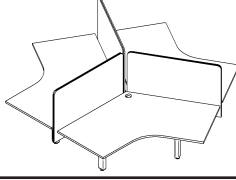


4mm Hex Bit



5mm Hex Key

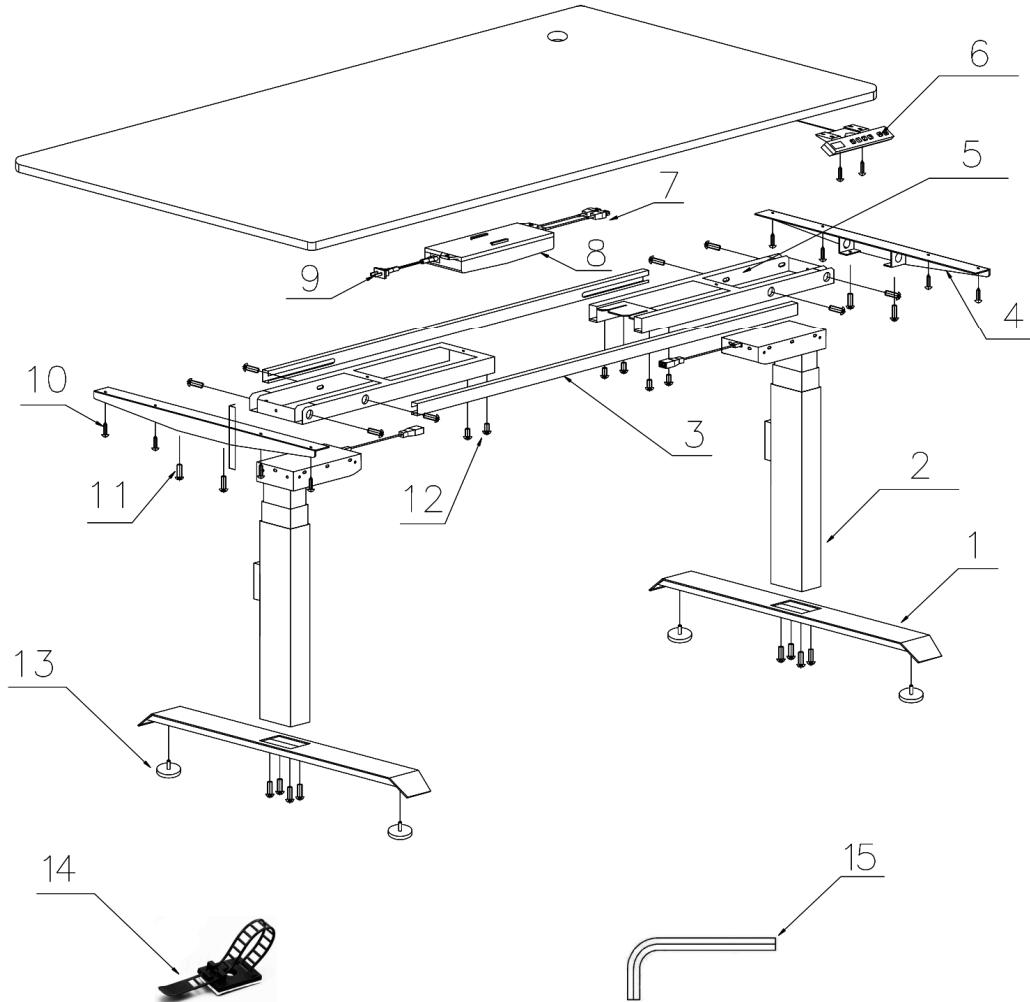
Accent
workspace furniture solutions

TABLE OF CONTENTS

CONFIGURATION	PAGE NUMBER	IMAGE
Summit II Straight Desk	4-6	
Summit II Plus	7-8	
Summit II Back-to-Back 2Pod	9-11	
Summit II Plus Back-to-Back 2pod	12-13	
Summit II 3 Leg	14-17	
Summit II Plus 3 Leg	18-20	
Summit II 120degree Pod	21-24	
User Instruction Guide	25-30	
Care and Maintenance	31	

SUMMIT II STRAIGHT DESK

A. ASSEMBLY DIAGRAM



B. TECHNICAL SPECIFICATIONS

NO.		
1	Input	110~220VAC
2	Output Power	24VDC
3	Load Capacity	1400N
4	Max Speed	25mm/s
5	Stroke	650mm
6	Min Install Dimension	605mm
7	Operation Temperature	0-40°C
8	Duty Cycle	Max.10% or 2min on and 18min off

C. ITEM LIST

NO.	HARDWARE SECTION	QUANTITY
1	Foot	2pcs
2	Lifting Column	2pcs
3	Extendable Tube	2pcs
4	Upper Side Support	2pcs
5	Framework	2pcs

	CONTROL SECTION	QUANTITY
6	Handset	1pc
7	Patch Cord-1.5m	2pcs
8	Control Box	1pc
9	Power Cord	1pc

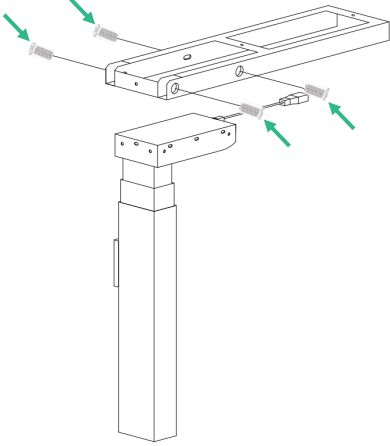
	ACCESSORY PACKAGE	QUANTITY
10	Screw ST6x23	13pcs
11	Bolt M6x16	20pcs
12	Bolt M6x10	8pcs
13	Leveling Glide	4pcs
14	Cable Tie	5pcs
15	Hex Wrench-4mm	1pcs

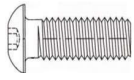
ATTENTION:

The control box has balancing device inside, when testing, please do not hold the control box in your hand, please fix onto the frame. Frame will not rise or fall if the control box detects that it is tilted.

D. HOW TO SET UP DESK FRAME

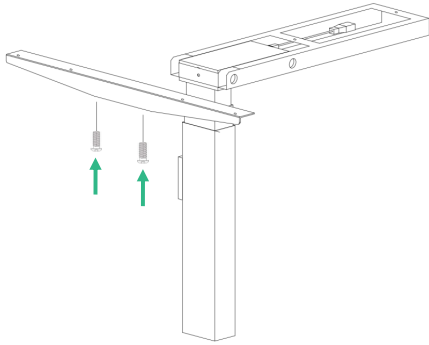
STEP 1

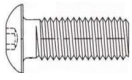



M6x16
4pcs

Install framework on lifting columns with Screw.

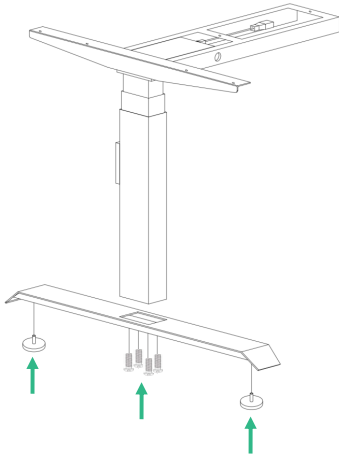
STEP 2

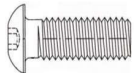




M6x16
4pcs

Install Upper Side Support with Screw.

STEP 3

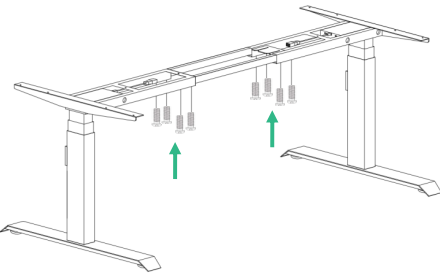


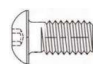

M6x16
4pcs


Leveling Glide
2pcs

Install Foot and Leveling Glide.

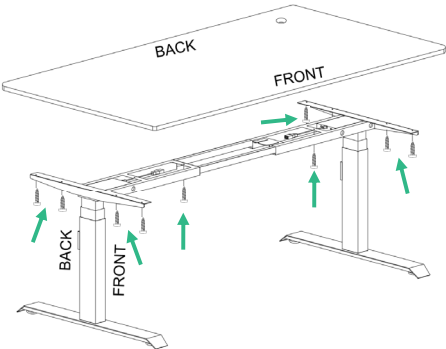
STEP 4

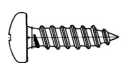



M6x10
8pcs

Insert extendable tube into framework open ends of framework and fix it with hex wrench.

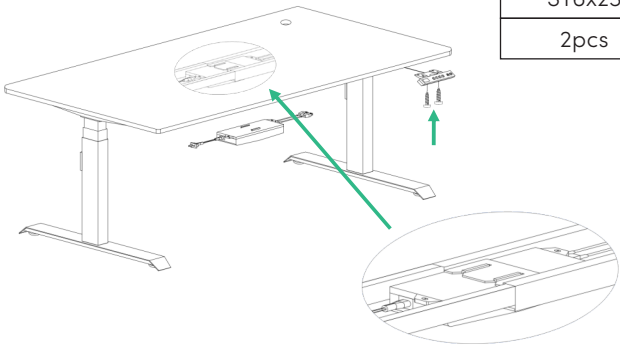
STEP 5

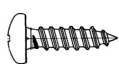



ST6x23
11pcs

Install desktop.

STEP 6



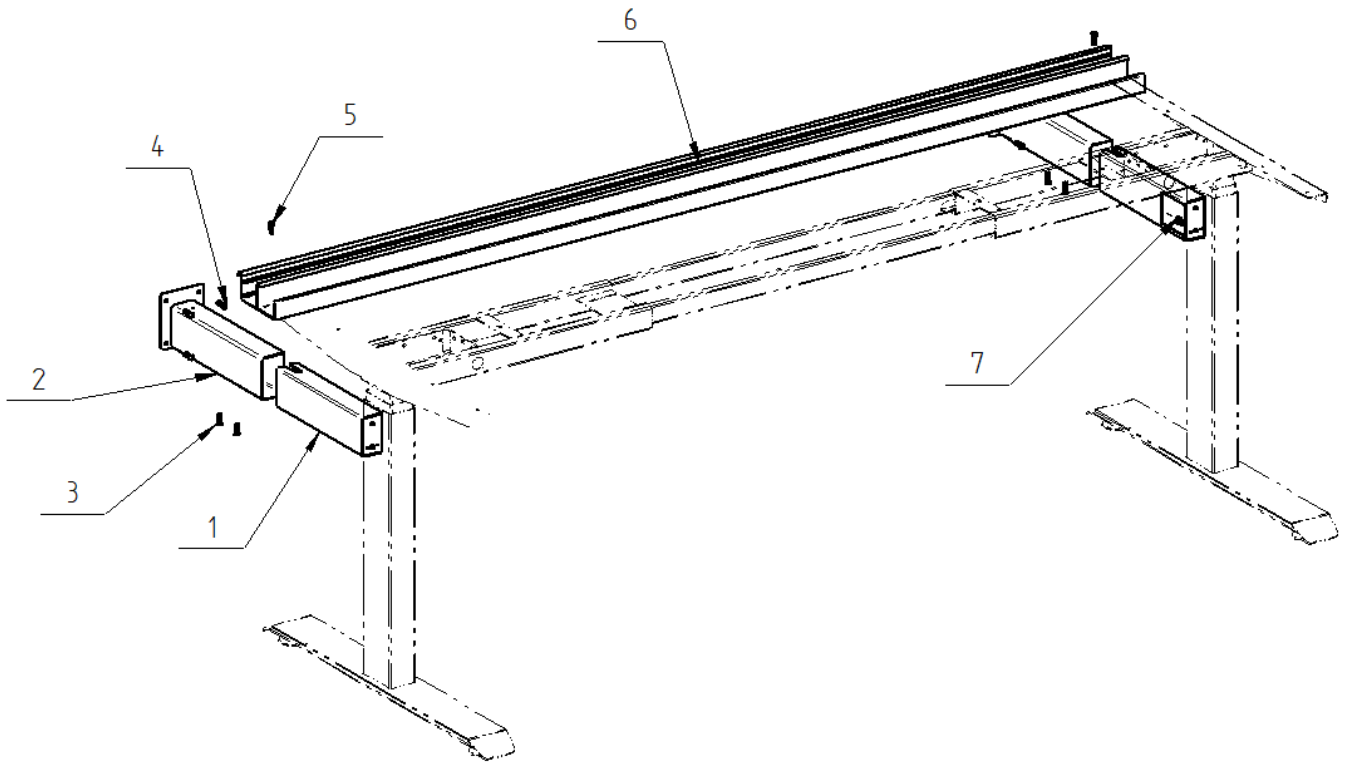

ST6x23
2pcs

Hang the control box and install the handset using screwdriver.

SUMMIT II PLUS

Cable Tray/Screen Brackets

A. ASSEMBLY DIAGRAM



B. ITEM LIST

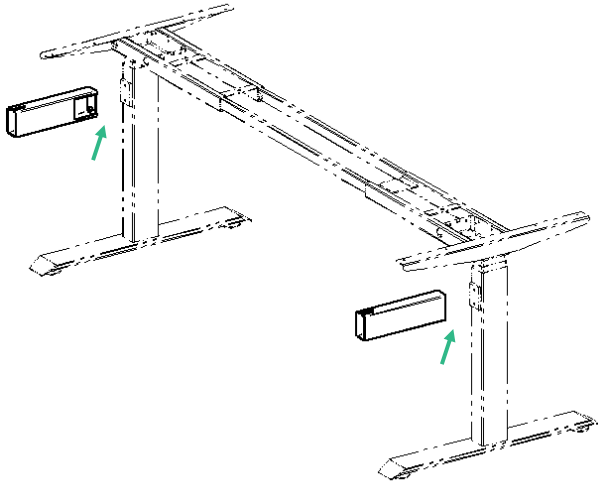
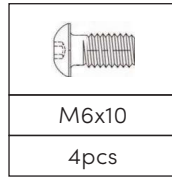
NO.	ITEM	QUANTITY
1	Screen & Cable tray Bracket Inner (LH/RH)	2pcs
2	Screen & Cable tray Bracket Outer	2pcs
3	Bolt M6 x 10	6pcs
4	Screw M6 x 16	8pcs
5	Bolt M6 x 10	2pcs
6	Cable Tray	4pcs
7	Bolt M8 x 10	4pcs

ATTENTION:

The control box has balancing device inside, when testing, please do not hold the control box in your hand, please fix onto the frame. Frame will not rise or fall if the control box detects that it is tilted.

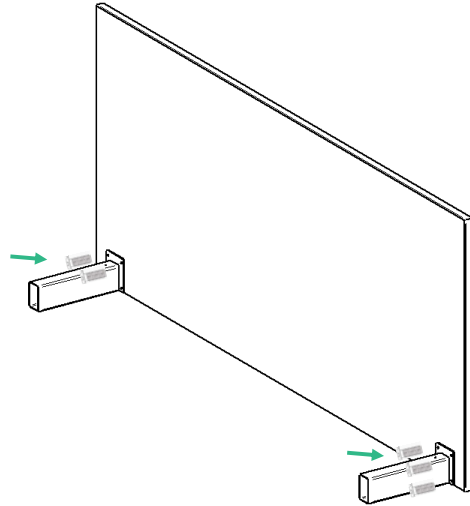
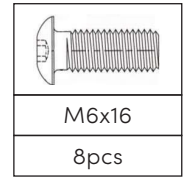
C. ASSEMBLY INSTRUCTIONS

STEP 1



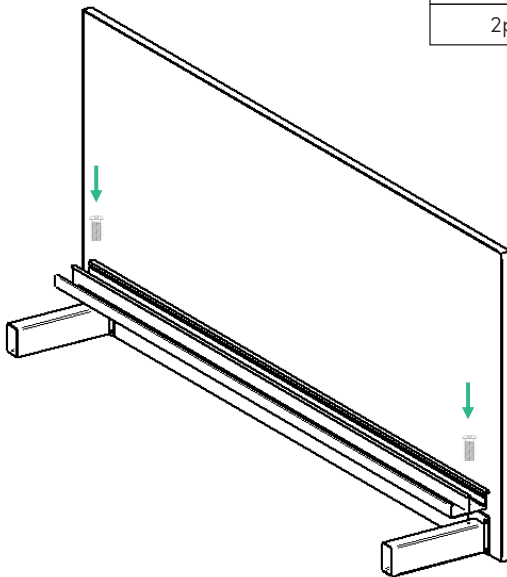
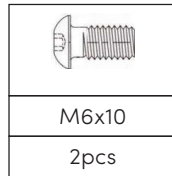
Attach screen bracket inner to back of leg.

STEP 2



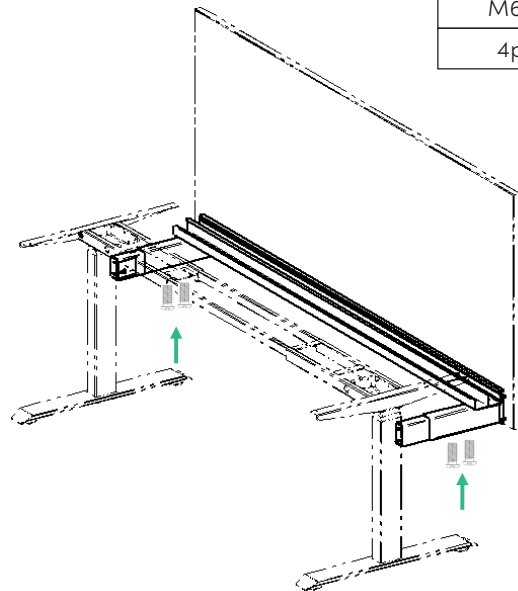
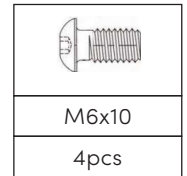
Attach screen bracket outer to the screen.
Note: If no screen has been supplied go to Step 3-4.

STEP 3



Attach cable tray to screen brackets.

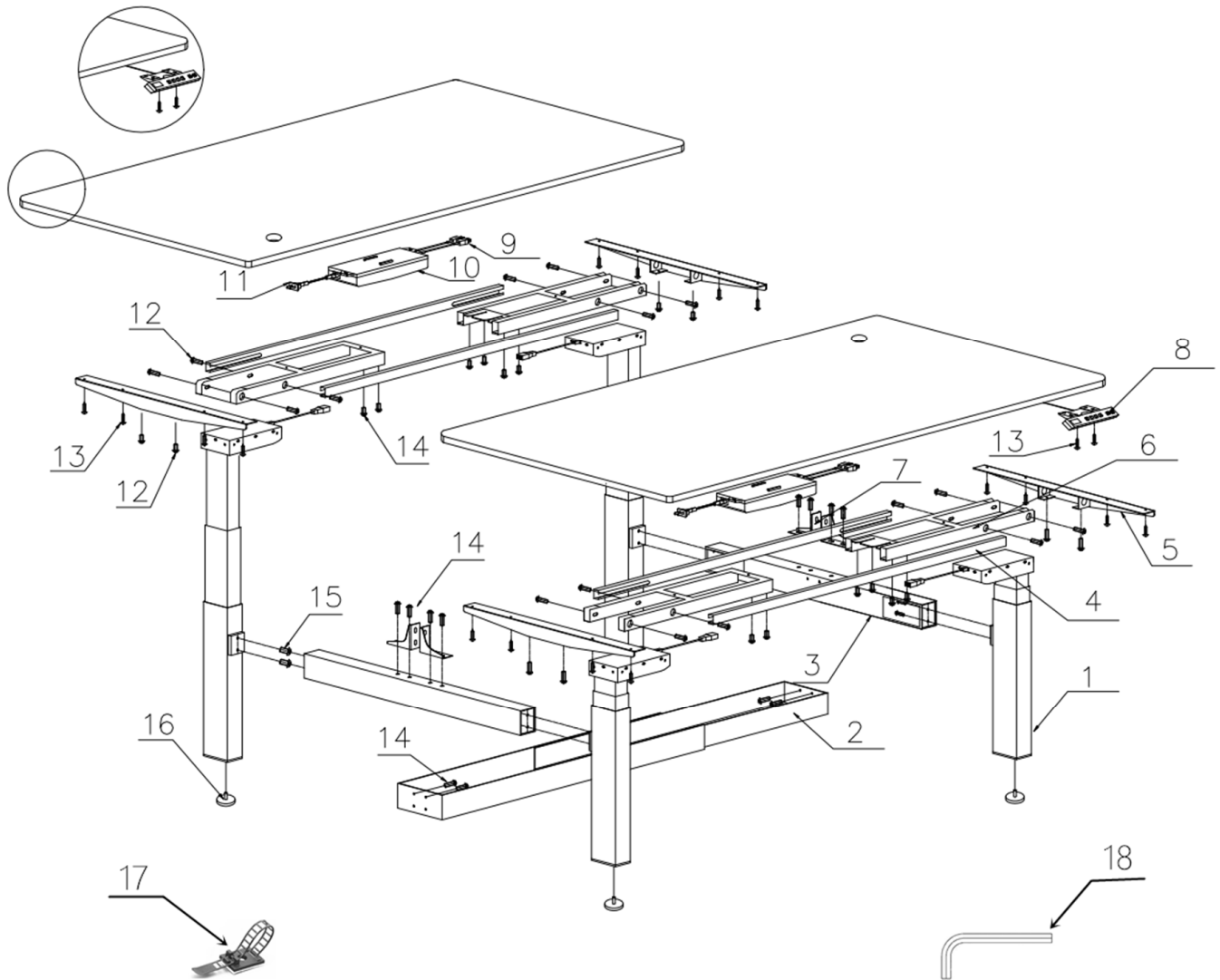
STEP 4



Attached screen to desk frame, slide outer brackets over inner brackets. Set screen approximately 15mm of the back for the desktop. Lock screen into place.

SUMMIT II BACK TO BACK 2 POD

A. ASSEMBLY DIAGRAM



B. ITEM LIST

NO.	HARDWARE SECTION	QUANTITY
1	Lifting Column	4pcs
2	Cable Tray	1pc
3	Cross Beam	2pcs
4	Extendable Tube	4pcs
5	Upper Side Support	4pcs
6	Framework	4pcs
7	L Bracket (Screen Fixing)	4pcs

	CONTROL SECTION	QUANTITY
8	Handset	2pcs
9	Patch Cord-1.5m	4pcs
10	Control Box	2pcs
11	Power Cord	2pcs

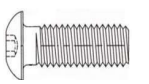
	ACCESSORY PACKAGE	QUANTITY
12	Bolt M6x16	24pcs
13	Screw ST6x23	26pcs
14	Bolt M6x10	32pcs
15	Bolt M8x10	9pcs
16	Leveling Glide	4pcs
17	Cable Tie	10pcs
18	Hex Wrench-4mm	2pcs


ATTENTION:

The control box has balancing device inside, when testing, please do not hold the control box in your hand, please fix onto the frame. Frame will not rise or fall if the control box detects that it is tilted.

C. ASSEMBLY INSTRUCTIONS

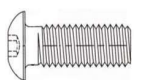
STEP 1


M6x16
4pcs


Leveling Glide
1pc

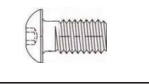
Install framework to lifting columns with Bolt, install leveling glides.

STEP 2


M6x16
2pcs

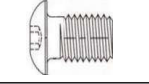
Install upper side support to framework.

STEP 3


M6x10
8pcs

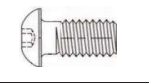
Insert extendable tube into framework open ends and fix it with hex wrench

STEP 4


M8x10
8pcs

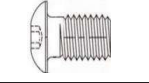
Install cross beam

STEP 5


M6x10
16pcs

Install Cable Tray and L Bracket (Screen Fixing)

STEP 6


M8x10
1pcs

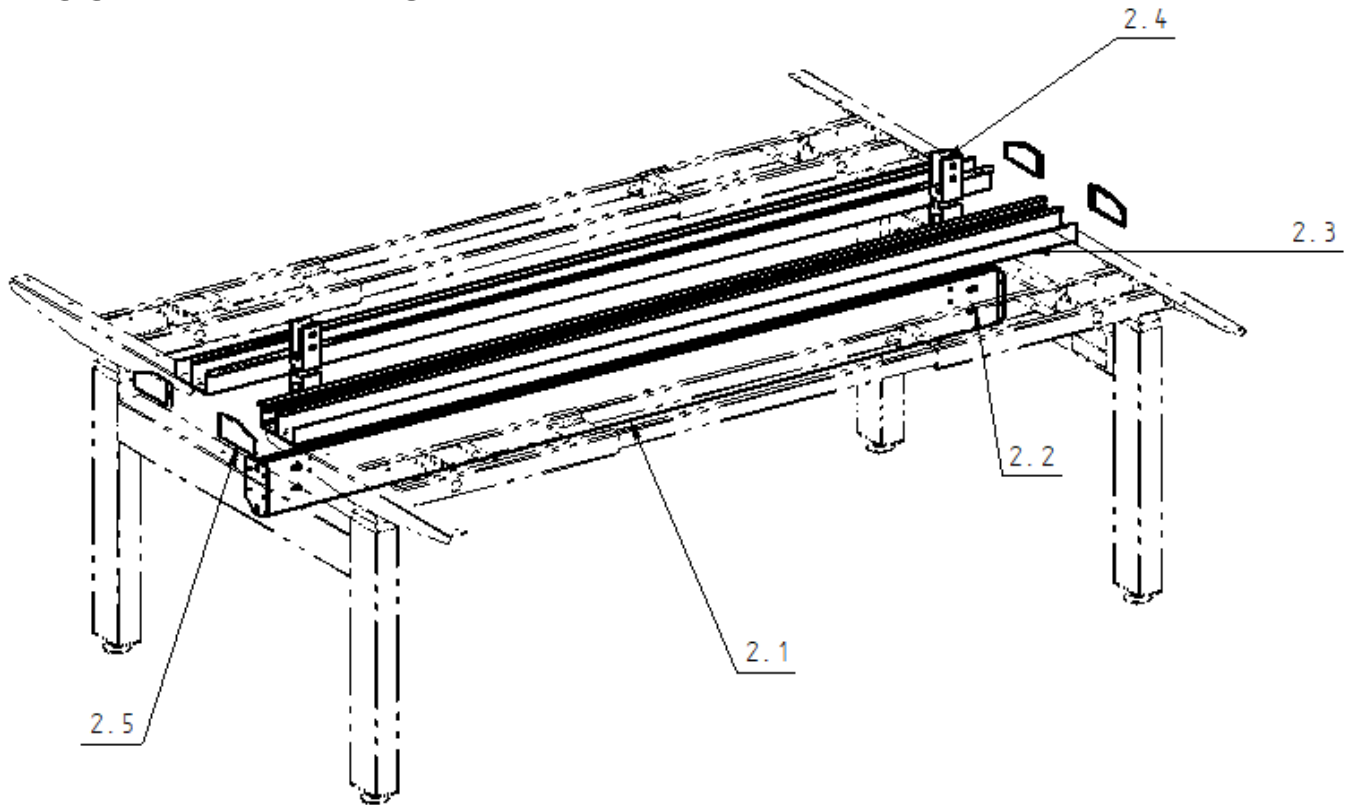
Fix the width of cable tray with screw (M8x10) under cable tray.

SUMMIT II PLUS

BACK-TO-BACK 2 POD

Cable Tray/Screen Brackets

A. ASSEMBLY DIAGRAM



B. ITEM LIST

NO.	ITEM	QUANTITY
2.1	Main Beam	1pc
2.2	Bolt M6 x 10	8pcs
2.3	Cable Tray	2pcs
2.4	Centre Screen Bracket (Including Bolts)	2pcs
2.5	Cable Tray End Caps (LH/RH)	4pcs

ATTENTION:

The control box has balancing device inside, when testing, please do not hold the control box in your hand, please fix onto the frame. Frame will not rise or fall if the control box detects that it is tilted.

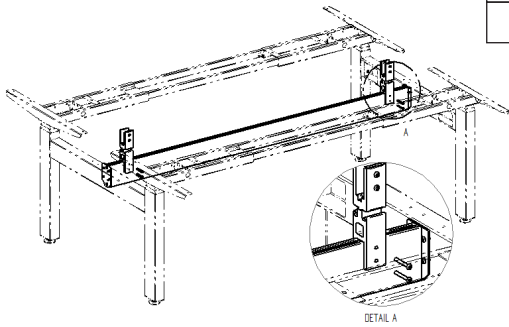
C. ASSEMBLY INSTRUCTIONS

STEP 1



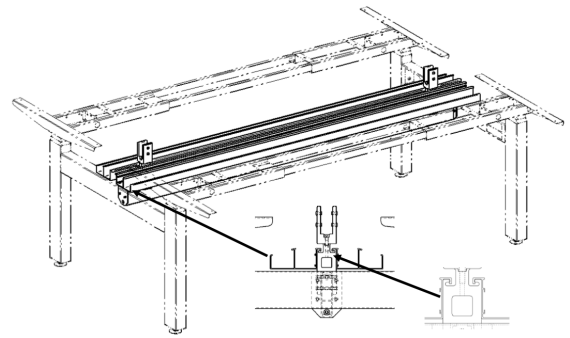
M6x10

8pcs



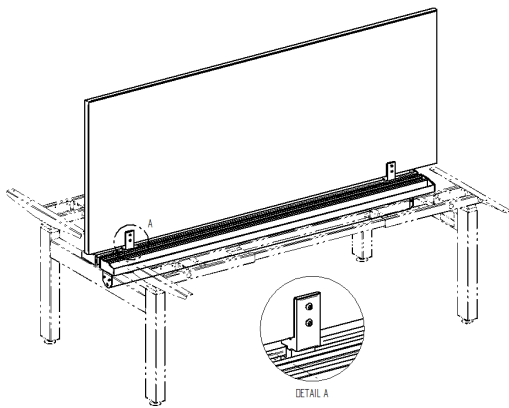
Attach main beam to the cross beam using bolt M6x10.
Attach centre screen to main beam.

STEP 2



Attach cable tray to centre screen bracket.

STEP 3



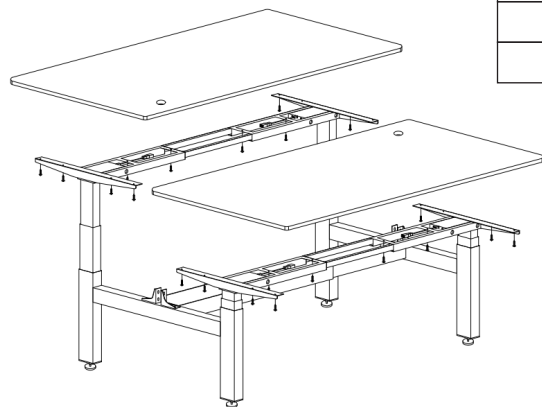
Install centre screen.

STEP 4



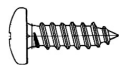
ST6x23

22pcs



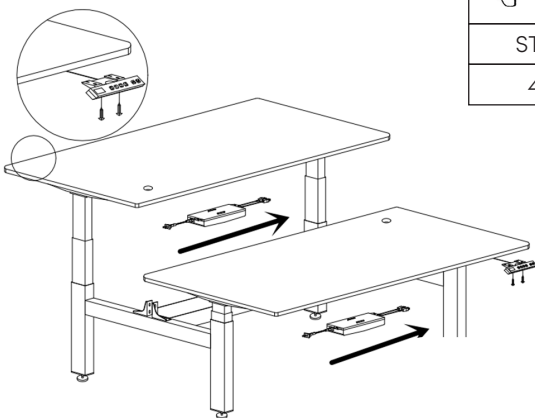
Install desktop.

STEP 5



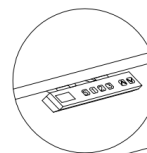
ST6x23

4pcs



Hang the control box to the frame.

STEP 6

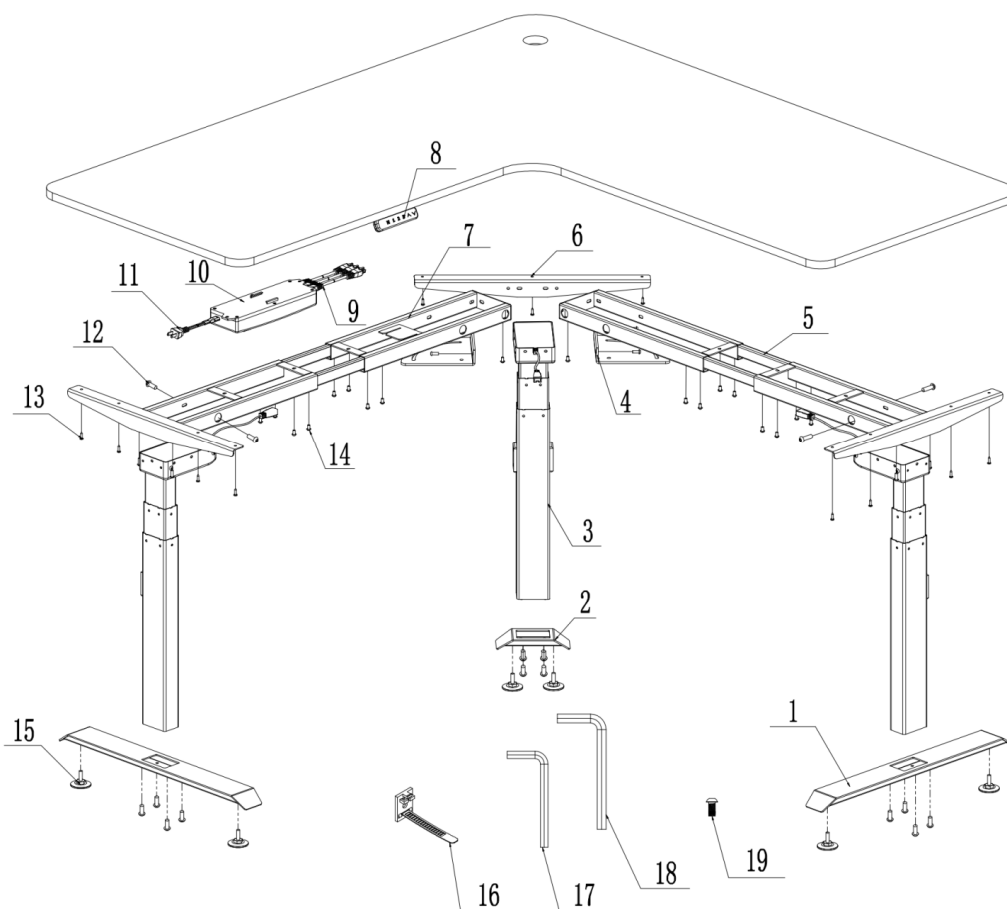


Install the handset.

SUMMIT II

3 LEGS

A. ASSEMBLY DIAGRAM



B. TECHNICAL SPECIFICATION

NO.		
1	Input	220VAC
2	Output Power	24VDC
3	Load Capacity	1600N
4	Max Speed	30mm/s
5	Stroke	650mm
6	Min Install Dimension	605mm
7	Operation Temperature	0-40°C
8	Duty Cycle	Max.10% or 2min on and 18min off

ATTENTION:

The control box has balancing device inside, when testing, please do not hold the control box in your hand, please fix onto the frame. Frame will not rise or fall if the control box detects that it is tilted.

C. ITEM LIST

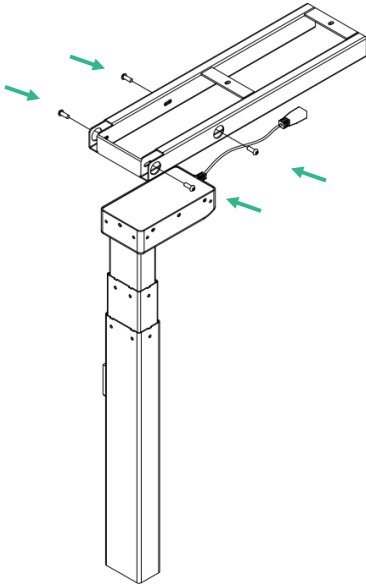
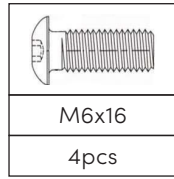
NO.	HARDWARE SECTION	QUANTITY
1	Long Foot	2pcs
2	Short Foot	1pc
3	Lifting Column	3pcs
4	Rotation Joint	2pcs
5	Extendable Tube	4pcs
6	Top Side Support	3pcs
7	Framework	4pcs

	CONTROL SECTION	QUANTITY
8	Handset	1pc
9	1.5m Patch Cord	3pcs
10	Control Box	1pc
11	Power Cord	1pc

	ACCESSORY PACKAGE	QUANTITY
12	Bolt M6x16	30pcs
13	Screw ST6x23	27pcs
14	Bolt M6x10	20pcs
15	Leveling Glide	6pcs
16	Cable Tie	5pcs
17	4mm Hex Wrench	1pc
18	5mm Hex Wrench	1pc
19	Bolt M8x10	10pcs

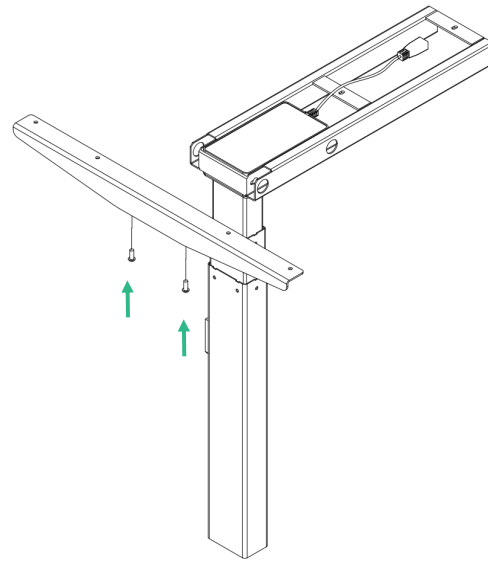
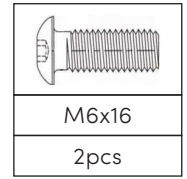
D. ASSEMBLY INSTRUCTIONS

STEP 1



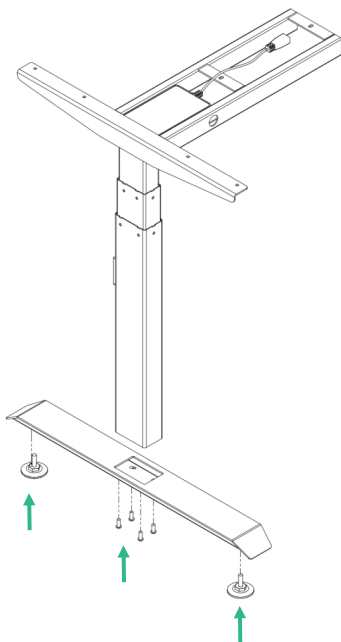
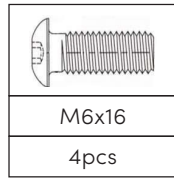
Install framework on lifting columns with Bolt.

STEP 2



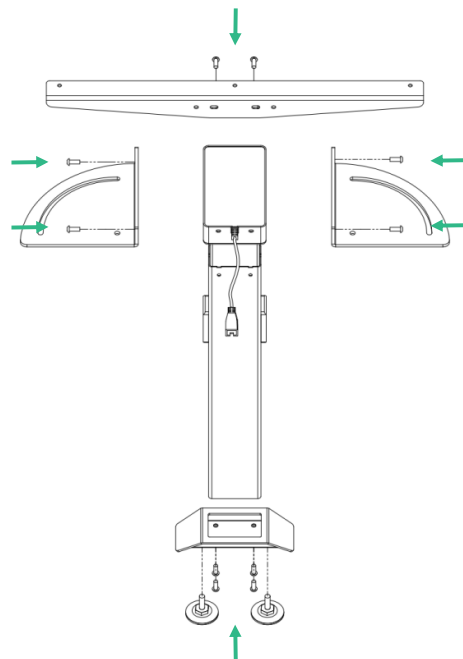
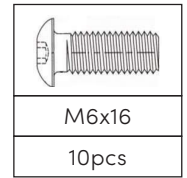
Install upper side support with bolt.

STEP 3



Install the long foot and leveling glides.

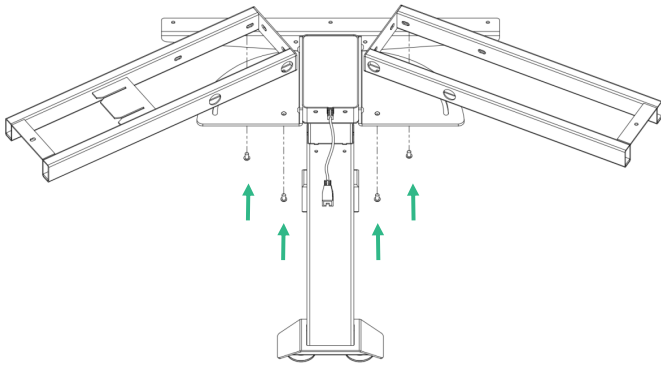
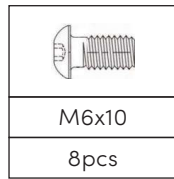
STEP 4



Install rotation joint, top side support. Install short foot and leveling glide.

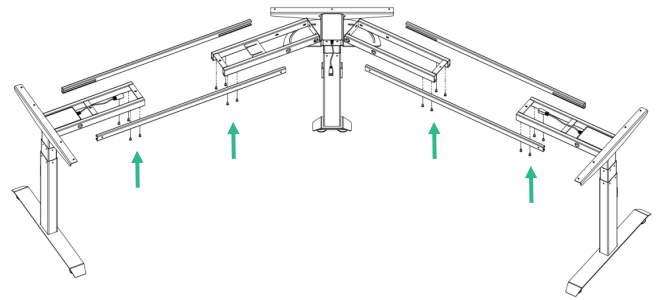
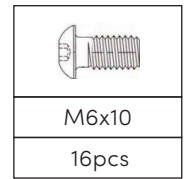
D. ASSEMBLY INSTRUCTIONS

STEP 5



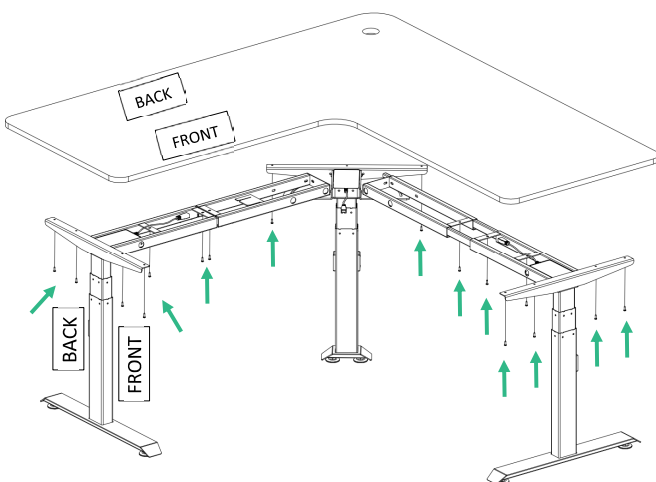
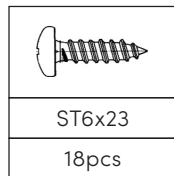
Install framework to rotation joint with bolt.

STEP 6



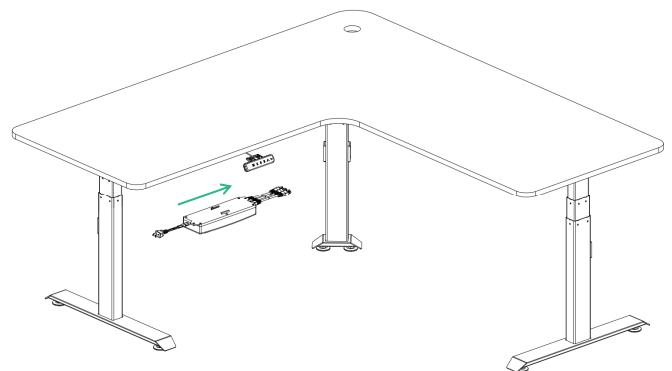
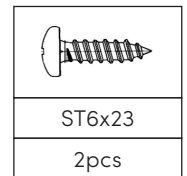
Insert extendable tube and fix with hex key wrench.

STEP 7



Install desktop.

STEP 8

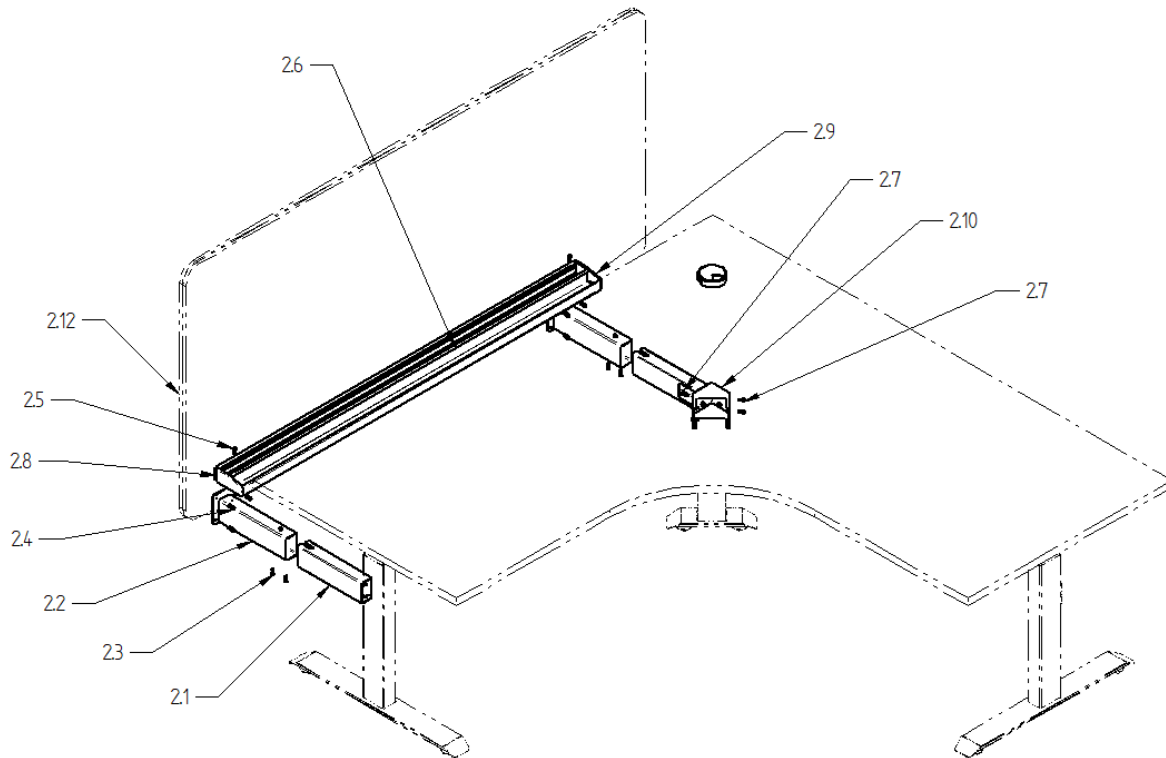


Hang the control box to the framework, install the handset with screw. *Note: We have cable ties for you to fix cables under desktop.*

SUMMIT II PLUS

3 LEG

A. ASSEMBLY DIAGRAM



B. ITEM LISTS

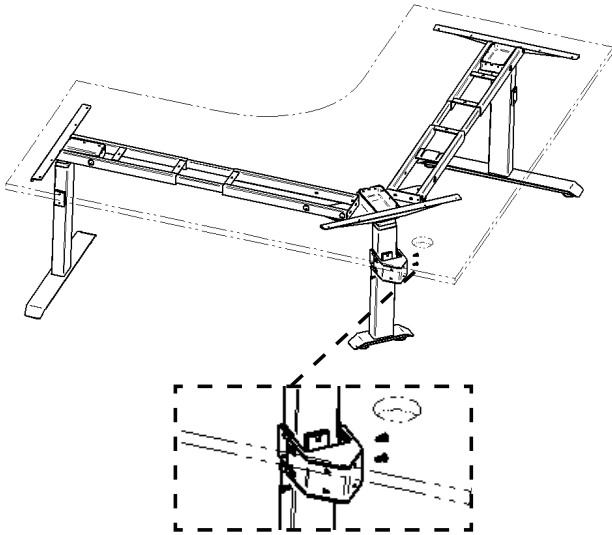
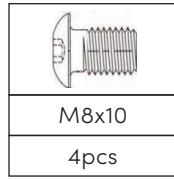
NO.	ITEM	QUANTITY
2.1	Screen & Cable Tray Bracket Inner (LH/RH)	2
2.2	Screen & Cable Tray Bracket Outer	2
2.3	Bolt M6 x 16	4
2.4	Screw 23mm	8
2.5	Bolt M6 x 10	2
2.6	Cable Tray	1
2.7	Bolt M8 x 10	8
2.8	Cable Tray End Cap Left Hand	1
2.9	Cable Tray End Cap Right Hand	1
2.10	Middle Leg Screen & Cable Tray Bracket Adapter	1
2.11	Summit II Plus Workstation Screen	1

ATTENTION:

The control box has balancing device inside, when testing, please do not hold the control box in your hand, please fix onto the frame. Frame will not rise or fall if the control box detects that it is tilted.

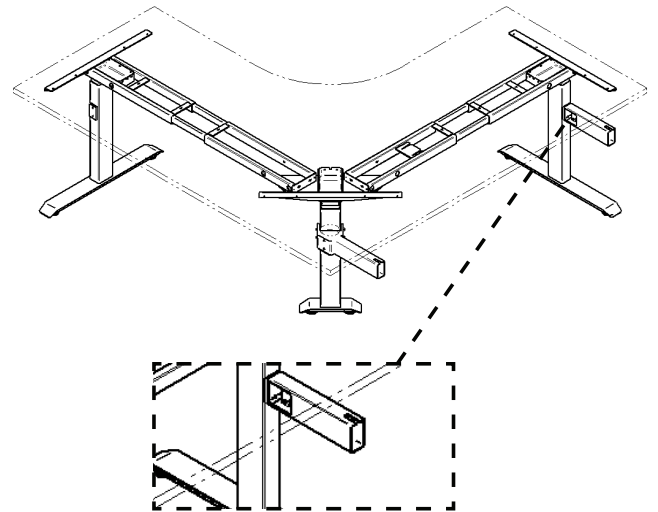
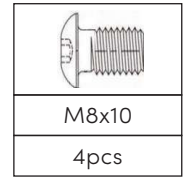
C. ASSEMBLY INSTRUCTIONS

STEP 1



Attach middle leg screen & cable tray bracket adapter to the corner leg.

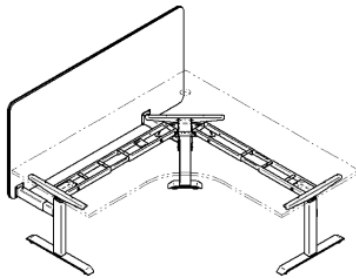
STEP 2



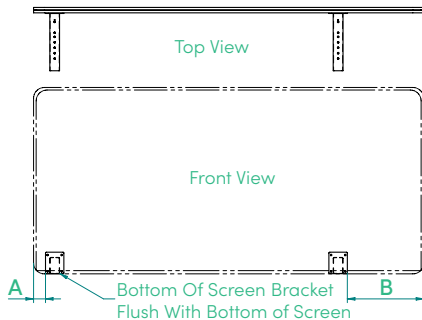
Attach the screen & cable tray bracket inner (LH/RH)

STEP 3

Summit II Plus Screen Attached to Left Hand Side of Desk

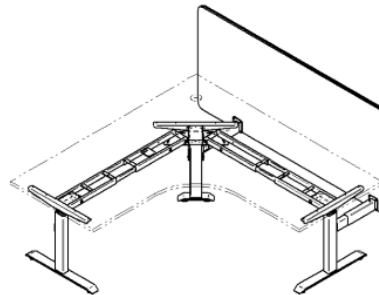


Left Hand Side Mounted

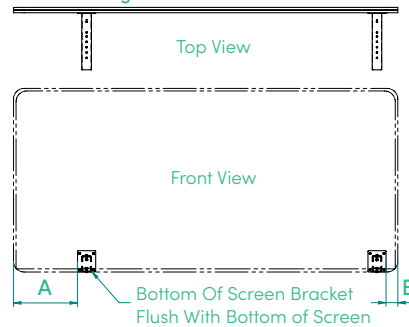


DeskTop Depth	A=	B=
700mm	55mm	300mm
800mm	55mm	350mm

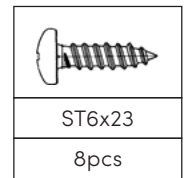
Summit II Plus Screen Attached to Right Hand Side of Desk



Right Hand Side Mounted



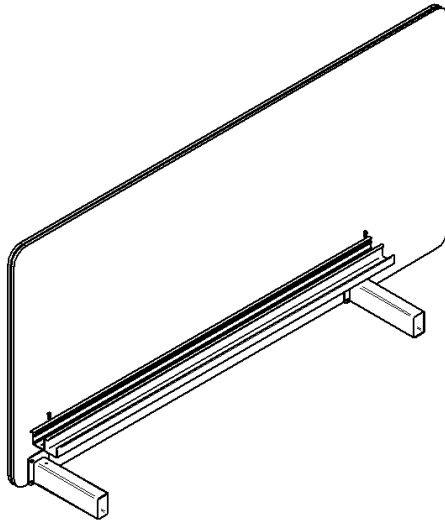
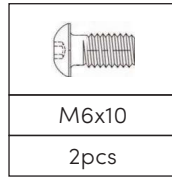
DeskTop Depth	A=	B=
700mm	300mm	55mm
800mm	350mm	55mm



Attach screen cable tray bracket outer to the screen panel.

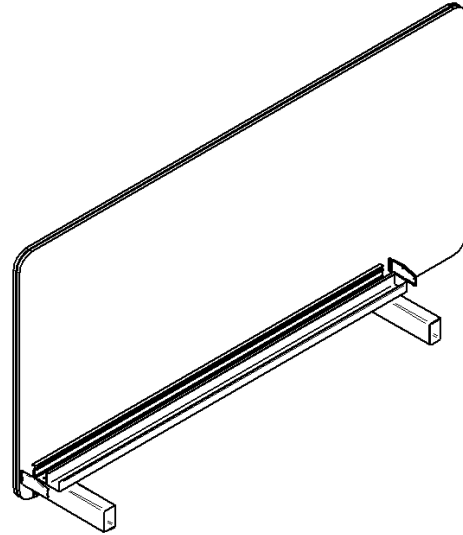
D. ASSEMBLY INSTRUCTIONS

STEP 4



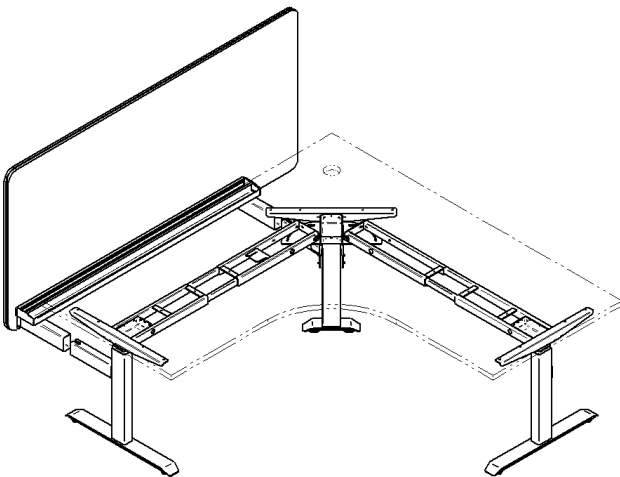
Attach cable tray to brackets.

STEP 5



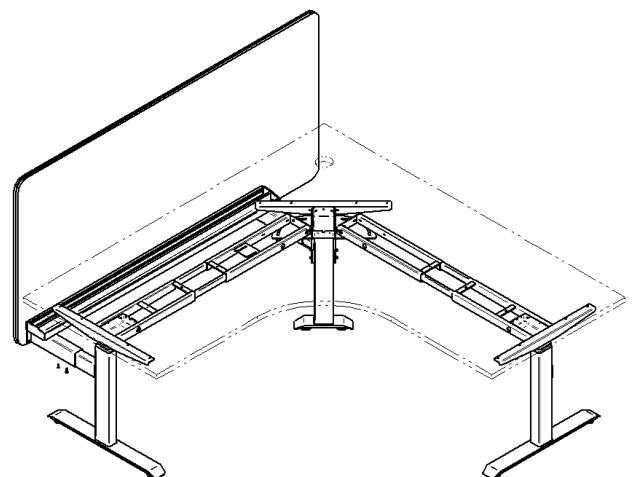
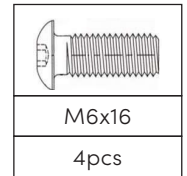
Attach cable tray end caps.

STEP 6



Slide screen onto frame.

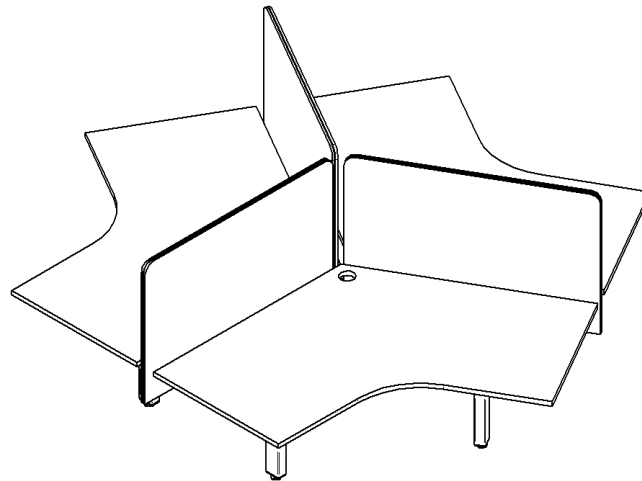
STEP 7



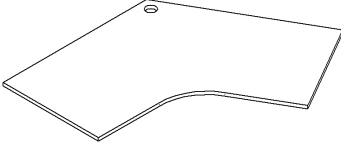
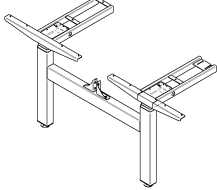
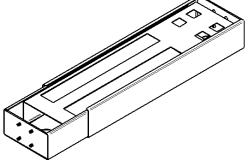
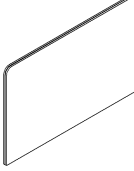
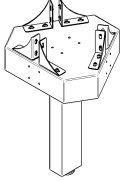
Install bolts to lock screen in place.

SUMMIT II

120 DEGREE POD



A. PARTS LIST

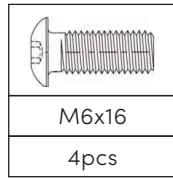
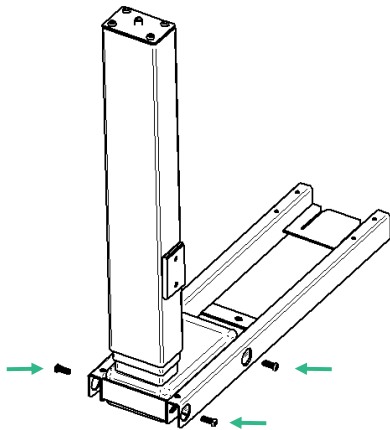
QUANTITY	DESCRIPTION	IMAGE
3	Desktop	
3	Summit II Electric 2 Leg Back to Back Incl Top frame	
3	Summit II Cable Tray Adjustable 640-1045mm	
3	SYSTEM 25 Summit II Centre Screen 770H xL	
1	Summit II Middle Leg 120°	

ATTENTION:

The control box has balancing device inside, when testing, please do not hold the control box in your hand, please fix onto the frame. Frame will not rise or fall if the control box detects that it is tilted.

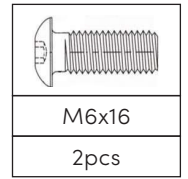
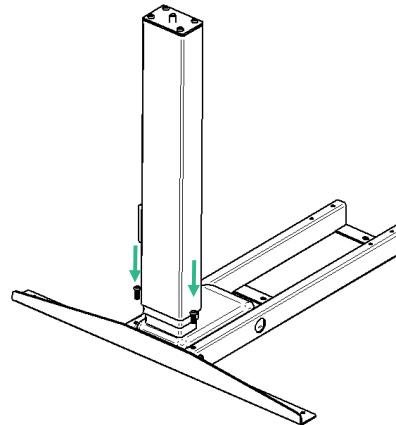
B. ASSEMBLY INSTRUCTIONS

STEP 1



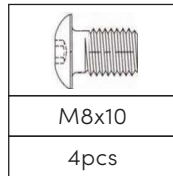
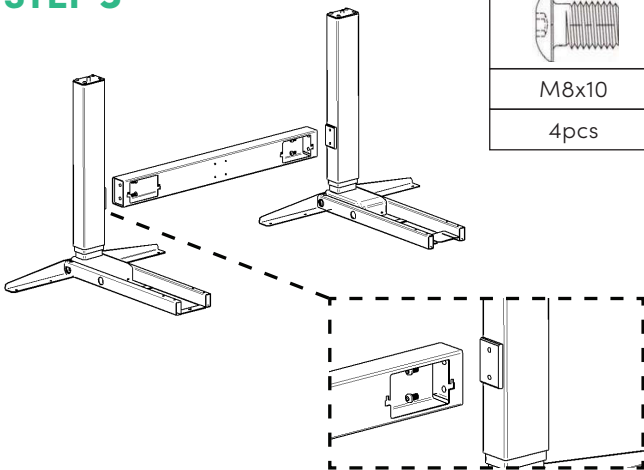
Attach the top frames to the legs using M6x16. *The inner tube supplied with the top frame is not required*

STEP 2



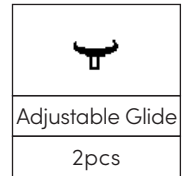
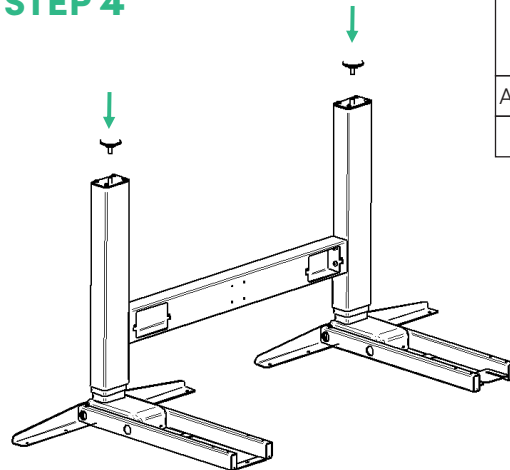
Attach the upper side support to the top frame.

STEP 3



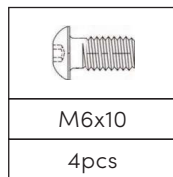
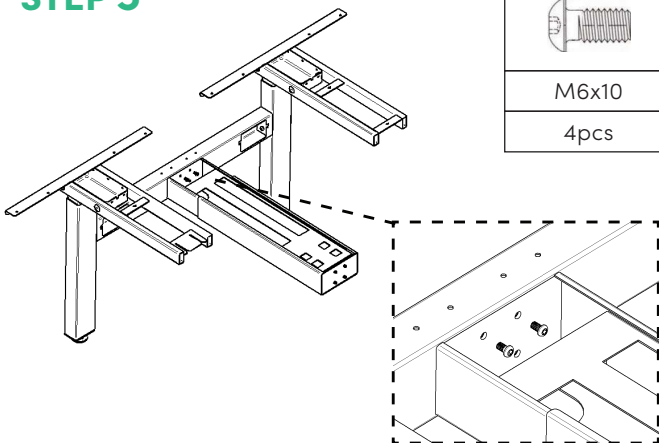
Attach the cross beam to the leg columns.

STEP 4



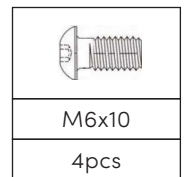
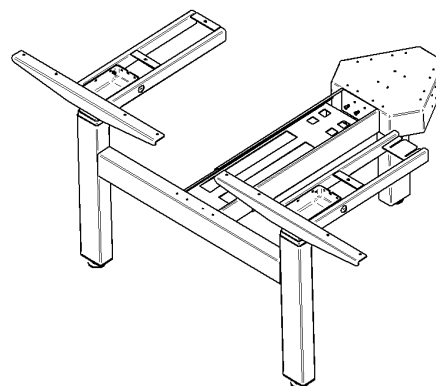
Install adjustable glide.

STEP 5



Attach the extendable cable tray to the cross beam.

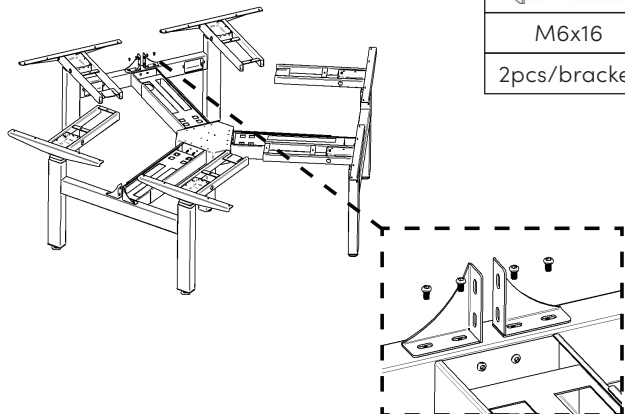
STEP 6



Attach the other end of the extendable cable tray to the centre leg.

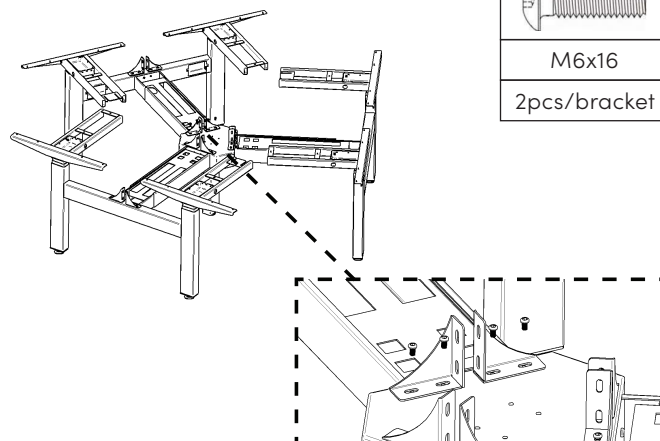
B. ASSEMBLY INSTRUCTIONS

STEP 7



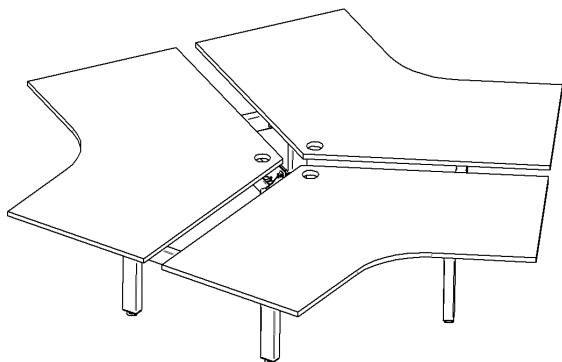
Attach the screen brackets to the cross beam.

STEP 8



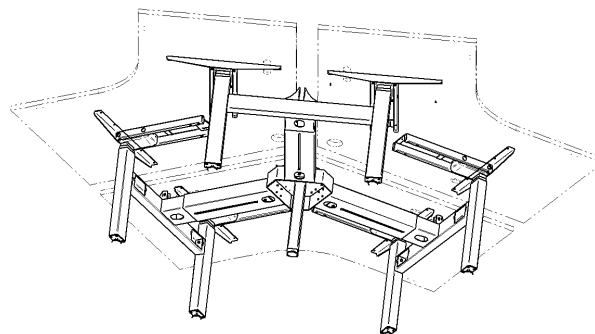
Attach the screen brackets to the top of the centre leg.

STEP 9



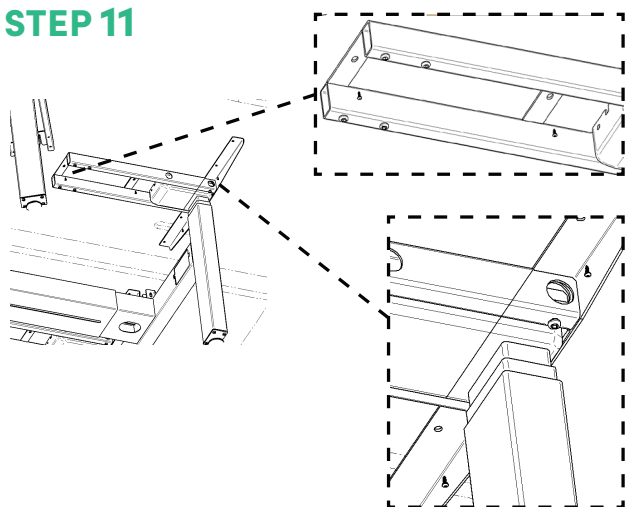
Place the desk tops on the frame.

STEP 10



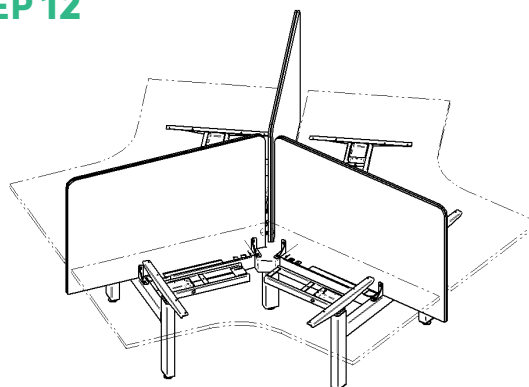
Attach the desk tops to the frame. The underside of the tops will be pre-drilled for the fixing screws.

STEP 11



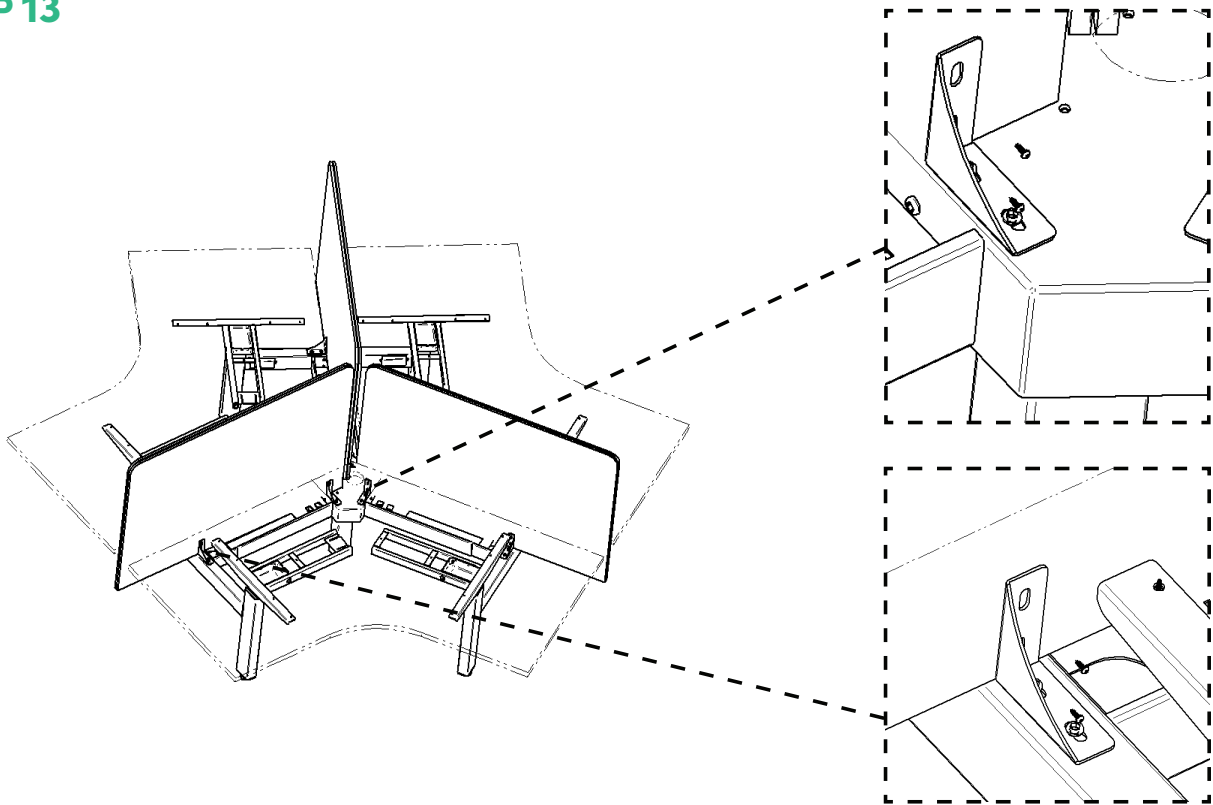
Attach the rest of the frame to the desk top.

STEP 12



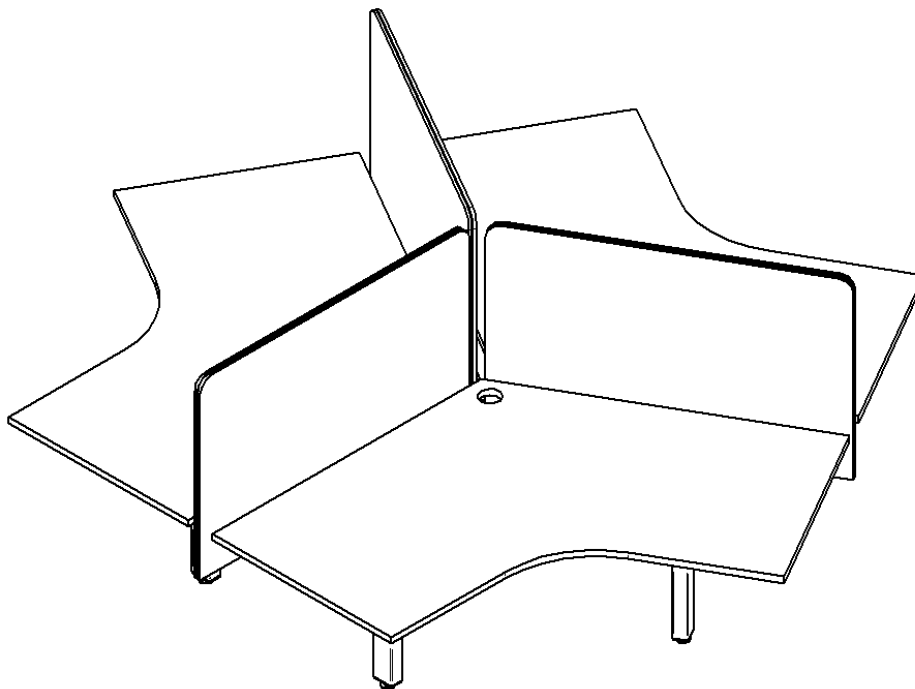
Place the centre screens down between the tops and into the screen brackets. If the screen are the same length as the back of the desk top align the end of the screens with the end of the tops.

STEP 13



Attach the screen brackets to the cross beam.

STEP 14



Attach handset to front edge of desktop, attach control box to the frame of the desk.
Refer to user guide for electric desk operating instructions.

USER INSTRUCTIONS

TABLE OF CONTENTS

	SECTION	PAGE
Directions of use	A	23
Trouble Shooting	B	23
Warranty Notice	C	24
Changing between CM and Inch – 1UN	D	24
Setting Handset Display Brightness - 2BR	E	24
Adjusting Sound - 3bE	F	25
Adjust Upward sensitivity - 4Fu	G	25
Adjust Downward Sensitivity - 4Fd	H	25
Adjust Vibration Sensitivity - 6FS	I	25
Adjust the lowest height display and height range - 7SH	J	26
Switching between modes - 8Hc	K	26
Adjust time reminder - 9St	L	26
Adjust bounce height - 10H	M	27
Restore factory Settings - 11r	N	27
Fatigue test mode - 12d	O	27
Handset Lock	P	27

ATTENTION:

The control box has balancing device inside, when testing, please do not hold the control box in your hand, please fix onto the frame. Frame will not rise or fall if the control box detects that it is tilted.

A. DIRECTION FOR USE

1. Correctly connect the Control Box, Handset, Power Cord, Lifting Column & Patch Cord.
2. Plug the power cord into 110~220VAC outlet the LCD display will show current height.

Reset (Initialization):

Press and hold the down button, the handset will display “rES” and the desk will begin to lower, until to the lowest height then slightly rise. Continue holding the down button until the handset displays the lowest height.

If the handset continues to display “rES” once the down button has been released, press and hold the down button until the Handset displays the lowest height.

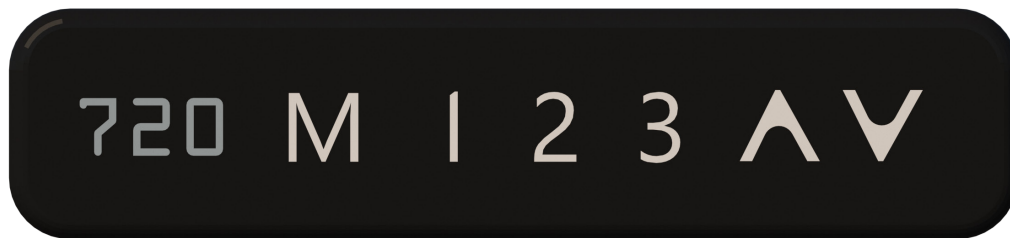
3. After reset, press and hold “UP” button, lifting column will rise, release to stop.
4. After reset, press and hold “DOWN” button, lifting column will lower, release to stop.

Setting Memory Positions:

After pressing and holding UP/DOWN button to a height, press button M first, then press button 1, this height will be remembered by button 1.

Still pressing and holding UP/DOWN button to another height, press button M, then press button 2, this height will be remembered by button 2.

The same way, the button 3, 4 can remember other heights. After memory, press 1/2/3/4 button, desk will motion to the height it remembers, press “UP” and “DOWN” button. The motion will be stopped.



B. TROUBLE SHOOTING

If the LCD Controller displays error codes when raising or lowering the desk, a reset will be required.

1. Motor error (E01, E02 or E03, E04)

Control box can not detect motor halt plate signal or Control box detect one lifting column is over loaded. This is a safety protection.

Please take away any large loads from the desk top and reset the controller. Should a reset fail to resolve the issue one or more motors will need to be replaced.

2. Control box temperature protection (HOT)

This indicates that the control box temperature is above 75°C or the system has been in continuous use for 2min or more. The lifting columns are locked out for up to 18mins as a safety precaution. For an urgent reset, unplug the power cord.

3. Asynchronous protection (E06)

Lifting columns are at different heights, more than 10mm, reset required.

4. Overload protection (E07)

Desk load in excess of 160kg, user needs to reduce load, then reset or just need to wait for 3 seconds, it will recover.

5. Low Voltage protection (E08)

Power Voltage is too low for the controller, this is a safety cut out protection. System will recover as soon as voltage returns to normal.

6. High Voltage protection (E09)

Power Voltage is too high for the controller, this is a safety cut out protection. System will recover as soon as voltage returns to normal.

7. Control Box or Handset Issue (E10)

If Handset display E10 and will not disappear, control box or handset is broken.

C. WARRANTY NOTICE

1. This product must be used under the correct technical parameters.
2. Keep away from liquids, corrosives, gases and dusty environments.
3. Do not open any of the components, doing so will void any and all service support and manufactures warranties.



"1" Button - Return to previous menu

"UP" / "DOWN" Button - Select menu

"M" Button - Confirm menu

D. CHANGING BETWEEN CM AND INCH-1UN

Keep pressing Button "M" for 3 seconds, Handset will display "S---", then release pressing Button "M" and press Button "M" again, the code "1Un" will then appear.

Press Button "M" to enter.

1. It will display **Si**, you can press "M" button to preserve cm display and pls wait for 2 seconds it will display current height(cm).

2. After it displays **Si**, you can press button "Up"/"Down" to change it to **in**, press button "M" to preserve inch display and please wait for 2 seconds it will display current height(inch).

E. SETTING HANDSET DISPLAY BRIGHTNESS-2BR

1. Keep pressing button "M" for 3 seconds. Handset will display "S---", then release pressing button "M" and press button "M" again to enter, the code "1Un" will then appear.

2. Press button "Up"/"Down" to be 2br.

Then press button "M" to enter, this will display current display brightness level (L/ **n** /H).

L: Means low brightness, **n**: Means normal brightness, H: Means high brightness.

3. Press button "Up"/"Down" to select your favourite brightness level, then press button "M" to preserve and quit, please wait for 2 seconds and it will display current height.

F. ADJUSTING SOUND-3BE

1. Keep pressing Button "M" for 3 seconds. Handset will display "S---", then release pressing Button "M" and press button "M" again to enter, the code "1Un" will then appear.

2. Press button "Up"/"Down" to be "3bE", then press button "M" to enter, this will display current sound situation (OFF/On).

OFF: Means handset has no sound, On: Means handset has sound.

3. Press button "Up"/"Down" to select OFF or On then press button "M" to preserve and quit, please wait for 2 seconds and it will display current height.

G. ADJUST UPWARD SENSITIVITY-4FU

1. Keep pressing Button "M" for 3 seconds. Handset will display "S---", then release pressing Button "M" and press Button "M" again to enter, the code "1Un" will then appear.

2. Press button "Up"/"Down" to be "4Fu", then press button "M" to enter, this will display current upward sensitivity level (L5). We have 9 levels of upward sensitivity, from L1 to L9, L1 is the most sensitivity, L9 is the least sensitivity. L5 is our factory setting upward sensitivity.

3. Press button "Up"/"Down" to select your favourite upward sensitivity level, then press button "M" to preserve and quit, please wait for 2 seconds and it will display current height.

H. ADJUST DOWNWARD SENSITIVITY-5FD

1. Keep pressing Button "M" for 3 seconds. Handset will display "S---", then release pressing Button "M" and press button "M" again to enter, the code "1Un" will then appear.

2. Press button "Up"/"Down" to be "5Fd".

Then press button "M" to enter, this will display current upward sensitivity level (L5).

We have 9 levels of upward sensitivity, from L1 to L9, L1 is the most sensitivity, L9 is the least sensitivity. L5 is our factory setting upward sensitivity.

3. Press button "Up"/"Down" to select your favourite upward sensitivity level, then press button "M" to preserve and quit, please wait for 2 seconds and it will display current height.

I. ADJUST VIBRATION SENSITIVITY-6FS

1. Keep pressing "M" for 3 seconds. Handset will display "S---", then release pressing Button "M" and press button "M" again to enter, the code "1Un" will then appear.

2. Press button "Up"/"Down" to be "6FS", then press button "M" to enter, this will display current vibration sensitivity level (L5). We have 9 levels of vibration sensitivity, from L1 to L9, L1 is the most sensitivity, L9 is the least sensitivity. L5 is our factory setting vibration sensitivity.

3. Press button "Up"/"Down" to select your favourite vibration sensitivity level, then press button "M" to preserve and quit, please wait for 2 seconds and it will display current height.

J. ADJUST THE LOWEST HEIGHT DISPLAY AND HEIGHT RANGE-7SH

1. Keep pressing Button "M" for 3 seconds. Handset will display "S---", then release pressing Button "M" and press button "M" again to enter, the code "1Un" will then appear.
2. Press button "Up"/"Down" to be "7SH", then press button "M" to enter, this will display **H, b**, you also can press button "Up"/"Down", so that it will display **L, L**, and **L, H**.
H, b : Mean to set the lowest position display height.
L, L : Mean to set a new lowest position.
L, H : Mean to set a new highest position
3. Press button "Up"/"Down" to be **H, b**, Then press button "M" to enter, will display current lowest height, you can press button "Up"/"Down" to adjust the lowest height display, then press button "M" to preserve and quit, please wait for 2 seconds and it will display new lowest height.
4. Press button "Up"/"Down" to be **L, L**, then press button "M" to enter, will display current lowest height, you can press button "Up" set a new lowest position, then press button "M" to preserve and quit, please wait for 2 seconds and it will display height. New lowest position finished setting.
5. Press button "Up"/"Down" to be **L, H**, then press button "M" to enter, will display current highest height, you can press button "Down" to set a new highest position, then press button "M" to preserve and quit, please wait for 2 seconds and it will display height. New highest position finished setting.
6. After setting, desk can only motion between new lowest position and new highest position.

K. SWITCHING BETWEEN MODES-8HC

1. Keep pressing button "M" for 3 seconds. Handset will display "S---", then release pressing button "M" and press button "M" again to enter, the code "1Un" will then appear.
2. Press button "Up"/"Down" to be "8HC", then press button "M" to enter, this will display current mode: "001". You also can press button "Up"/"Down", so that it will display "002".

We have two modes for your choosing.

"001" mode: You need to keep pressing up or down button so that desk will motion.

"002" mode: You only need to press one time up or down button, the desk will motion, click press any button the motion will be stopped.

3. Press button "Up"/"Down" to select your favourite mode (001 or 002), then press button "M" to preserve and quit, please wait for 2 seconds and it will display current height.

L. ADJUST TIME REMINDER-9ST

1. Keep pressing button "M" for 3 seconds. Handset will display "S---", then release pressing Button "M" and press button "M" again to enter, the code "1Un" will then appear.
2. Press button "Up"/"Down" to be "9St", then press button "M" to enter, this will display 0.0H. (Mean no time reminder, H mean hour)
3. Press button "Up"/"Down" to select your favourite reminder time (like 1.5H mean 1.5hour), then press button "M" to preserve and quit, please wait for 2 seconds and it will display current height.

Note:

When handset time reminder beep, press any button, the beep will disappear. The time reminder beep will last for 30 seconds for 1 time, if no pressing any button.

M. ADJUST BOUNCE HEIGHT-10H

1. Keep pressing button "M" for 3 seconds. Handset will display "S---", then release pressing button "M" and press button "M" again to enter, the code "1Un" will then appear.
2. Press button "Up"/"Down" to be "10H", then press button "M" to enter, this will display current bounce height.
3. Press button "Up"/"Down" to set a favourite bounce height, then press button "M" to preserve and quit, please wait for 2 seconds and it will display current height.

N. RESTORE FACTORY SETTINGS-11R

1. Keep pressing button "M" for 3 seconds. Handset will display "S---", then release pressing button "M" and press button "M" again to enter, the code "1Un" will then appear.
2. Press button "Up"/"Down" to be "11r", press button "M" to enter **FrE**, will flash.
3. Then press button "M" to preserve and quit, "rES" will appear, need a **reset** to finish restoring factory setting. (About reset, please refer to Step C)

O. FATIGUE TEST MODE-12D

1. Keep pressing button "M" for 3 seconds. Handset will display "S---", then release pressing Button "M" and press button "M" again to enter, the code "1Un" will then appear.
2. Press button "Up"/"Down" to be "12d", then press button "M" to enter. It will appear **P8_**, press 5 times button "1" continuously, you can enter into fatigue mode selecting menu. There will be 5 modes for your choosing.

OFF: No fatigue test.

51: Level 1 fatigue test, continue working, no stop.

52: Level 2 fatigue test, upward and downward 1 time then rest for 4 minutes.

53: Level 3 fatigue test, upward and downward 1 time then rest for 6 minutes.

54: Level 4 fatigue test, upward and downward 1 time then rest for 10 minutes.

3. Please press "up" and "down" to select your favourite fatigue mode, then press button "M" to preserve.

4. You can press "UP" button to begin fatigue test, also you can quit the fatigue test by unplugging the power cord.

P. HANDSET LOCK

1. Keep pressing "Up" and "Down" button for 5 seconds, handset will lock and **Loc** will flash.
2. Keep pressing "Up" and "Down" button for 5 seconds, handset will be unlock and handset will display current height

FACTSHEET

CARE & MAINTENANCE

GENERAL CARE – INFORMATION

- Avoid scourers and abrasives as they will damage the surface.
- Don't place hot objects, electrical appliances or pots straight from the oven or cooker onto your laminate surface.
- Don't cut on the laminate surface.
- Keep waxes and polishes well away as they dull the natural shine.
- Do not use strongly acidic, alkaline cleaners or bleach for normal cleaning as these might etch the surface.

GENERAL CARE – STREAKS

Streaky marks sometimes show on dark colours after cleaning. An all-purpose cleaner such as Mr. Muscle Surface & Glass or Ajax Spray n Wipe usually removes them.

GENERAL CARE – GREASE

Using a mild dishwashing detergent in water will remove greasy marks. Dab, wait and wipe away. Finish with an all-purpose cleaner such as Mr. Muscle Surface & Glass or Ajax Spray n Wipe.

GENERAL CARE – SPILLS

Laminate surfaces resist staining from most household chemicals. With some accidental spills however, prompt action is essential. Wipe off beetroot, grape and berry juices, first aid preparations, concentrated bleach, oven cleaners, dishwasher detergents, artificial dyes, hair colouring and solvent based pen ink immediately. Specialty glues such as Super Glue must also be removed straight away with acetone (nail polish remover).

GENERAL CARE – STAINS

If the stain won't budge with Mr. Muscle Surface & Glass, try methylated spirits or dab the stain with a diluted bleach mixture (1 part bleach to 8 parts water); leave for 3 minutes then wash off with water and dry. Finish off with Mr. Muscle Surface & Glass. Only as a last resort if a stain persists try 2 or 3 rubs with a crème cleanser or white toothpaste, wash and dry. Please note that bleach or these abrasive cleaners may irreversibly damage the laminate surface.

GENERAL CARE – SCRATCHES

Laminate surfaces will withstand normal wear and tear, but can be damaged by scratching or cutting with utensils, knives and unglazed pottery. Darker colours will show scratches more readily than lighter colours. In general, dark colours and high gloss surfaces require more care and maintenance than lighter colours or lower gloss colours. To minimise scratching, always place and lift objects from the surface – never drag or slide them across the surface.



SUMMIT II







0800 126 826

support@accentworkspaces.co.nz

22 Hood Street Wellsford, Auckland 0900 New Zealand