

# RYLEE CHAIR SWIVEL BASE

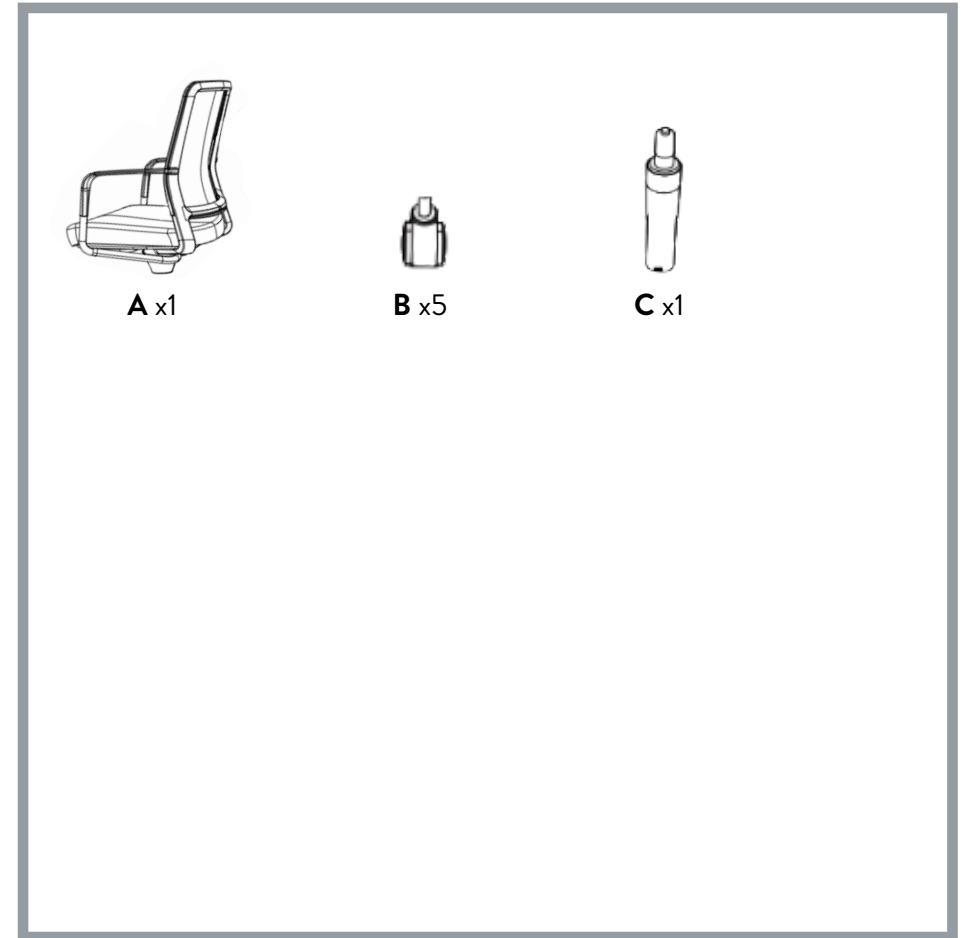
## Assembly Instructions

Thank you for your purchase

Please follow the instructions for correct assembly

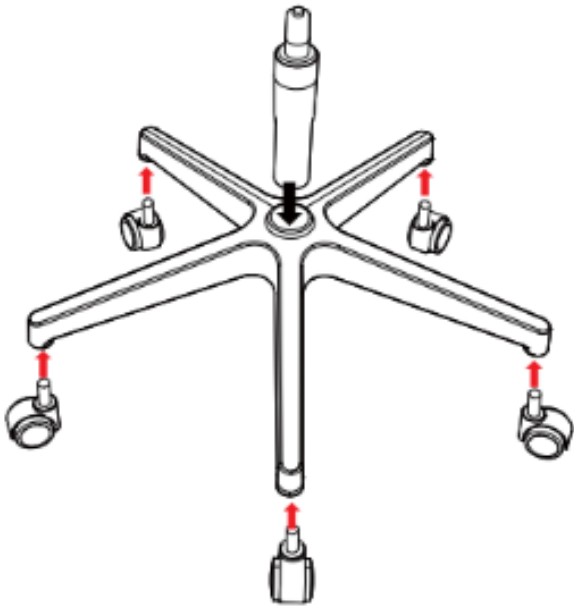


## Hardware Supplied

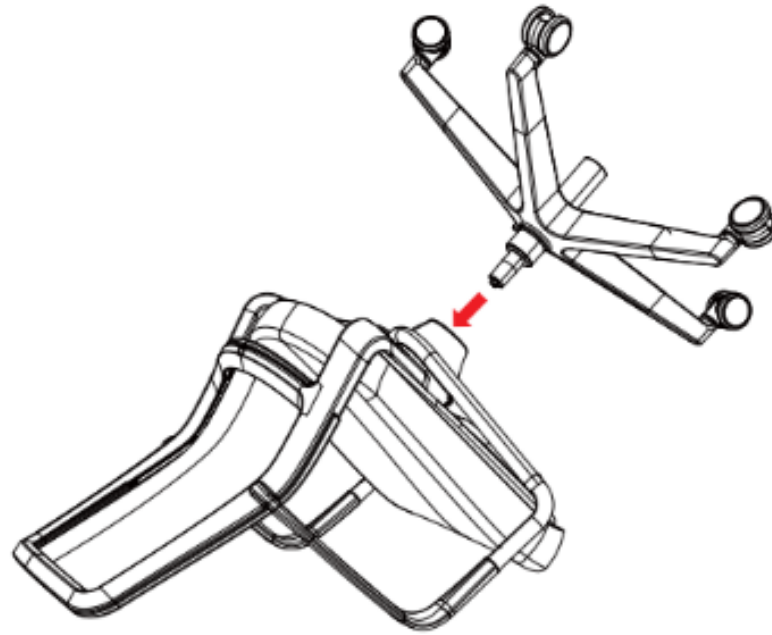


Remove all items from the carton. Verify all pieces before assembly.

## Step 1



## Step 2



## Step 3



### Height adjustment

You can adjust the seat height by raising the lever on the right side of the seat.

- To higher the seat : Raise the lever while standing
- To lower the seat : Raise the lever while seated