

RYLEE CHAIR CANTILEVER BASE

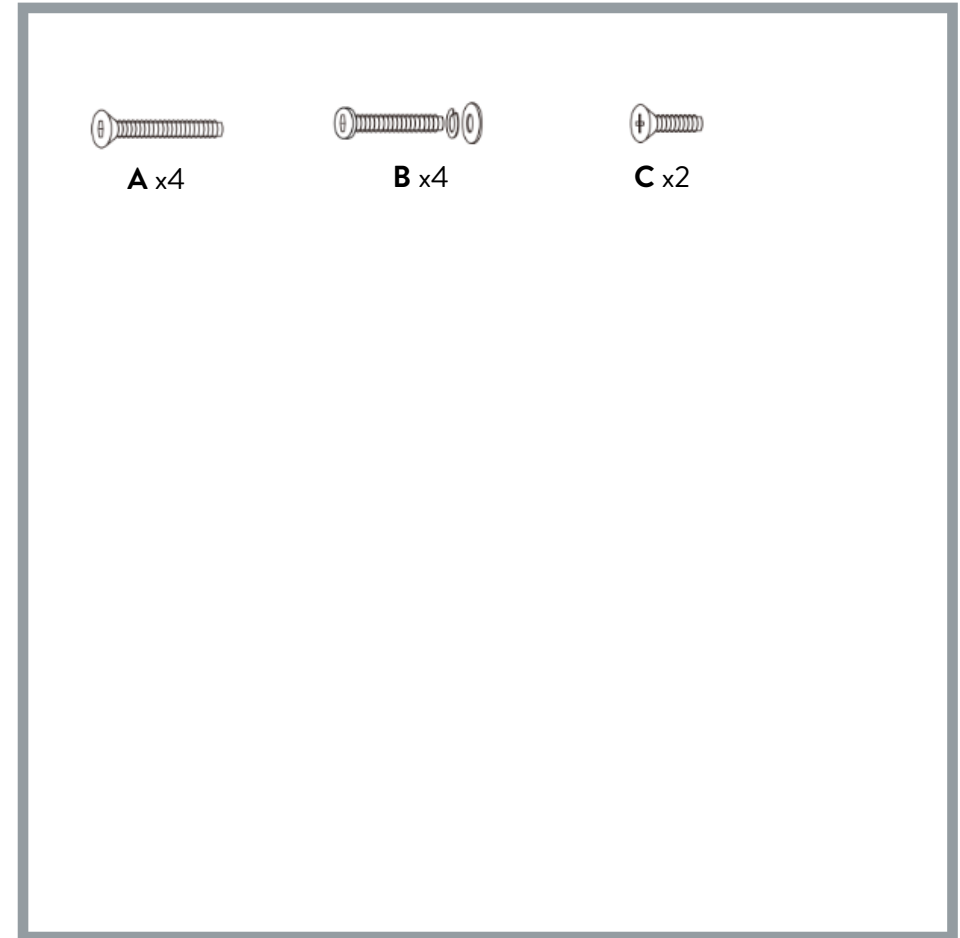
Assembly Instructions

Thank you for your purchase

Please follow the instructions for correct assembly

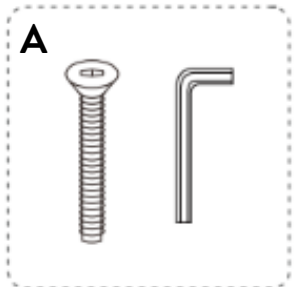
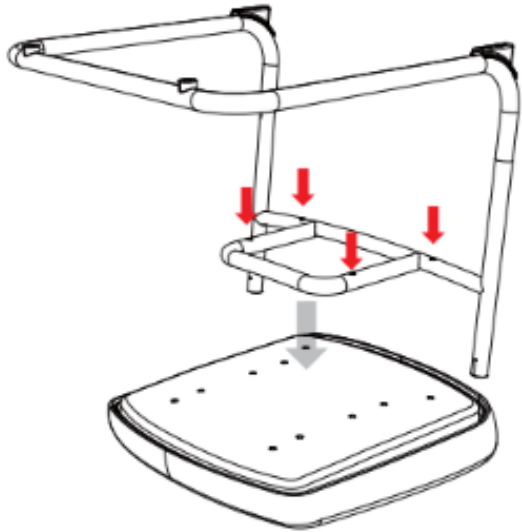


Hardware Supplied



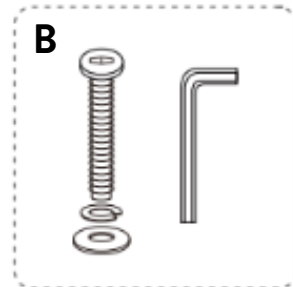
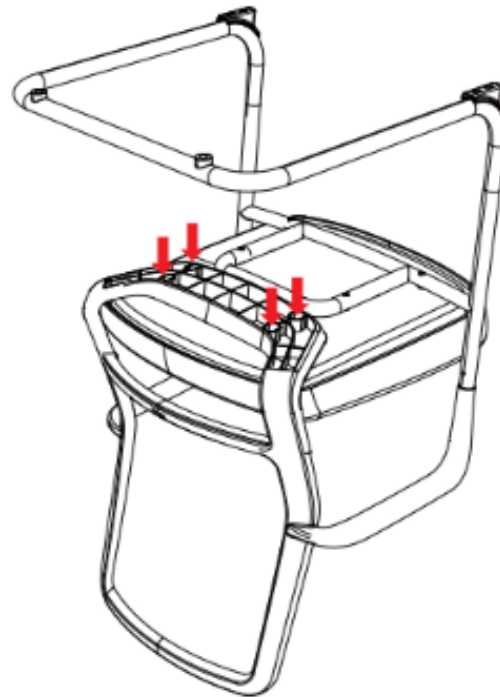
Remove all items from the carton. Verify all pieces before assembly.

Step 1



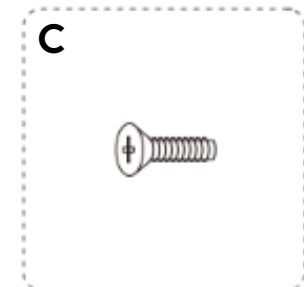
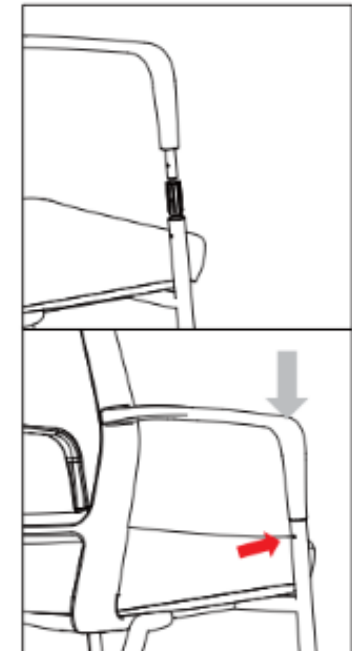
M6x35 (4)

Step 2



M6x30 (4)

Step 3



M5x12 (2)