

NOVAH CORNER DESK

Assembly Instructions

Thank you for your purchase

Please follow the instructions for correct assembly



Hardware Supplied

Below parts may vary:



A- Bolt x18



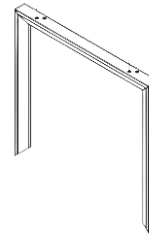
C- Screw x2



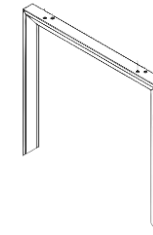
D- Plate x2



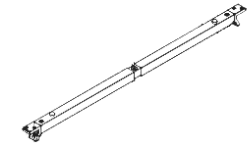
E- Screw x6



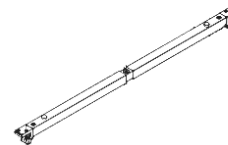
1 - Side Leg x2



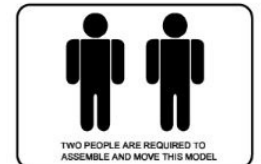
2 - Return Leg x1



3 - Side Beam x2

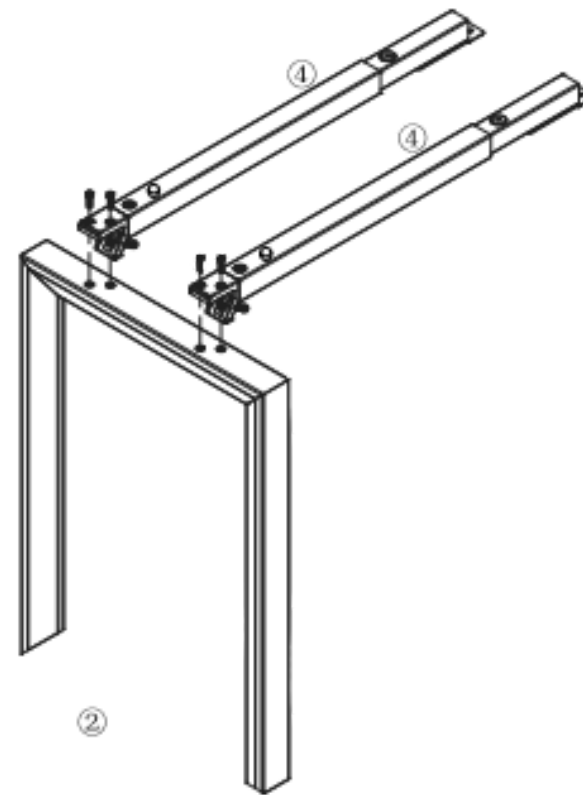
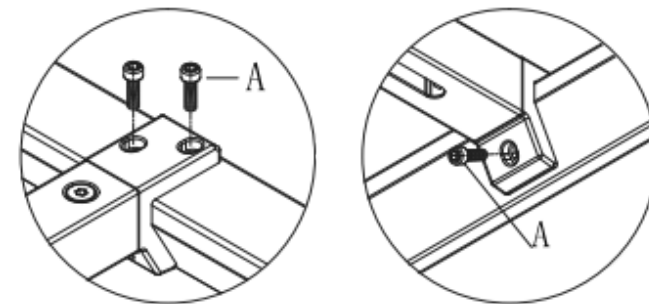
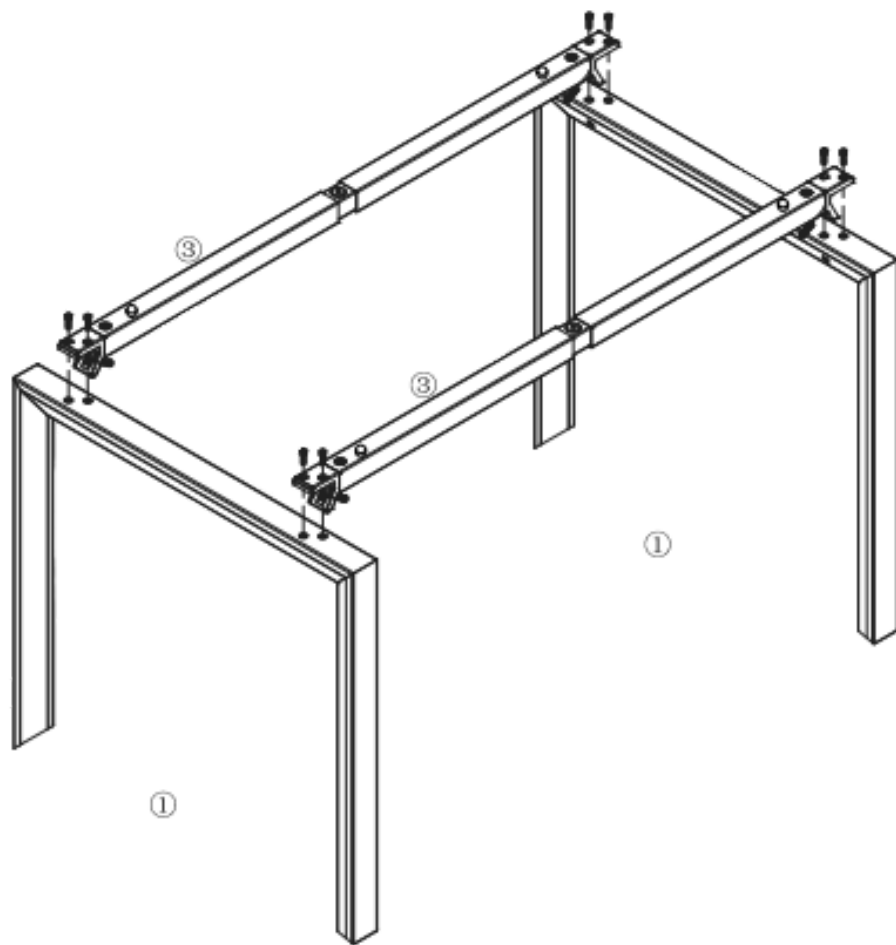


4 - Return Beam x2

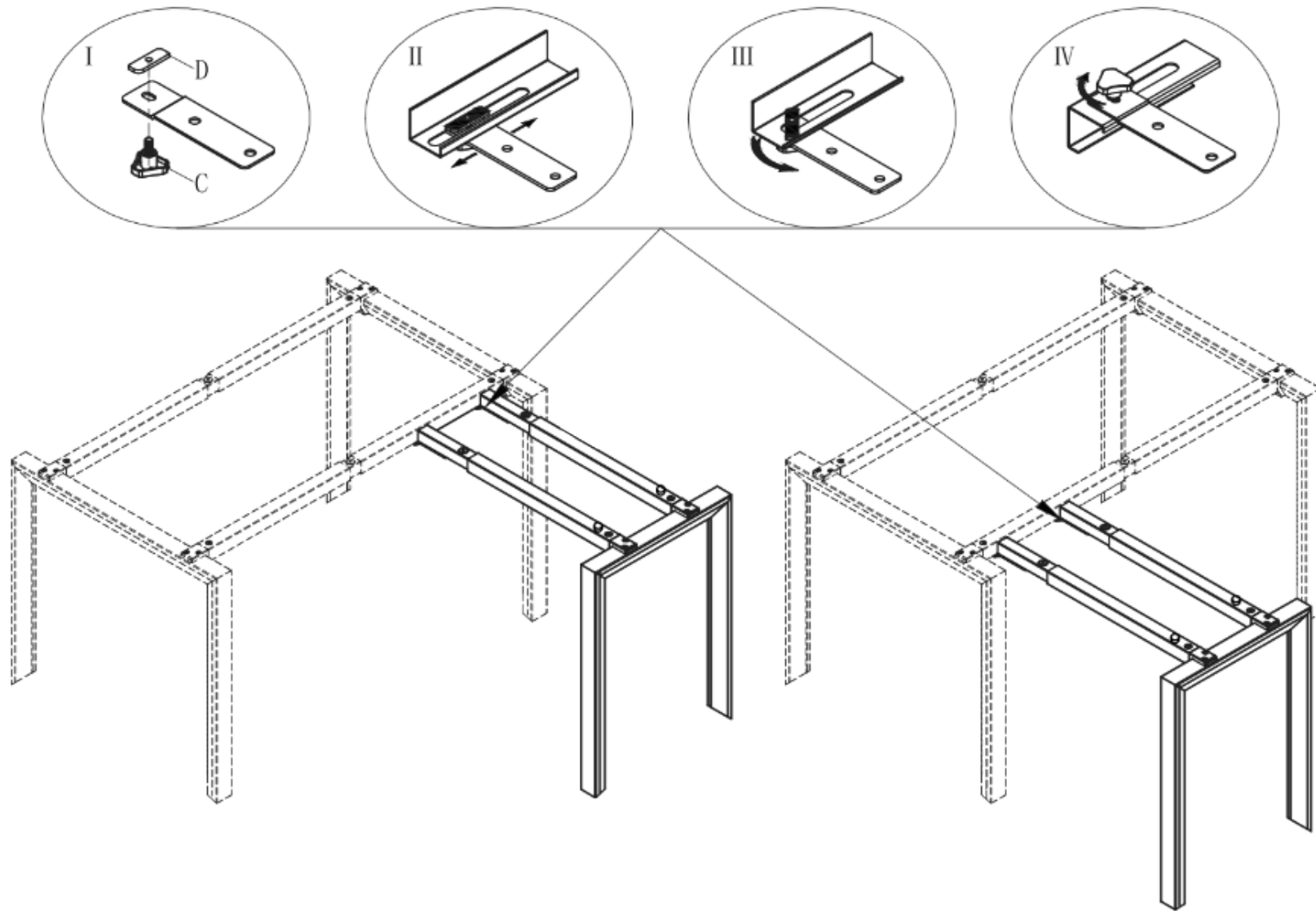


You will need a drill to assemble this unit

Step 1



Step 2



Step 3

Stretch the frame to the length of the desktop. Fasten bolts(A).

Use screws (B) to attach frame to the desktop.

