

NOVAH STRAIGHT DESK

Assembly Instructions

Thank you for your purchase

Please follow the instructions for correct assembly

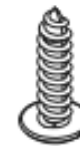


Hardware Supplied

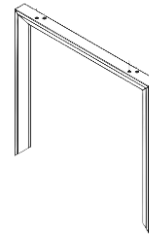
Below parts may vary:



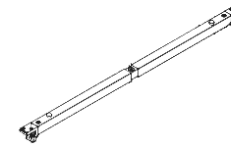
A- Bolt x12



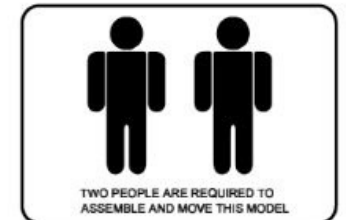
B- Screw x4



1 - Side Leg x2

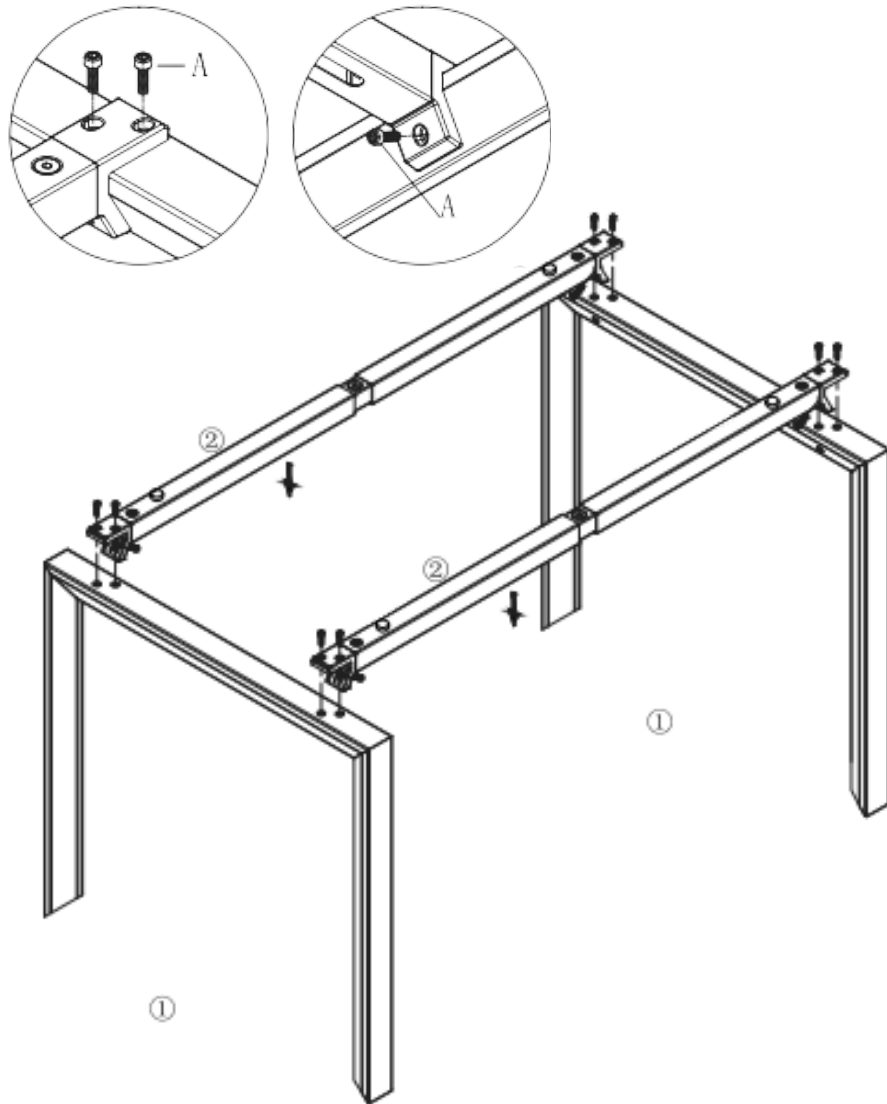


2 - Side Beam x2



You will need a drill to assemble this unit

Step 1



Step 2

Stretch the frame to the length of the desktop. Fasten bolts(A).
Use screws (B) to attach frame to the desktop.

