

MOBEL 4D MOBILE

Assembly Instructions

Thank you for your purchase

Please follow the instructions for correct assembly



Hardware Supplied

Below parts may vary:



A-Handle x4



B-Caster x2



C-Caster with
Brake x2



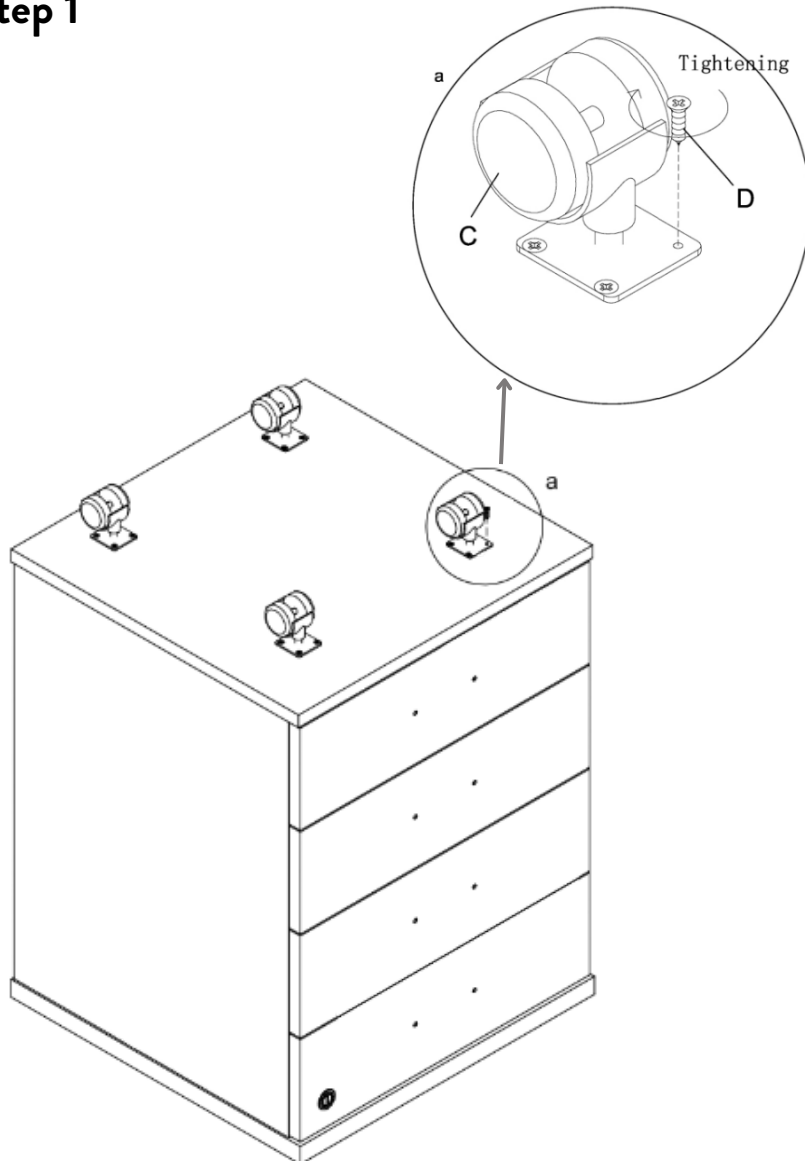
D-Screws x16



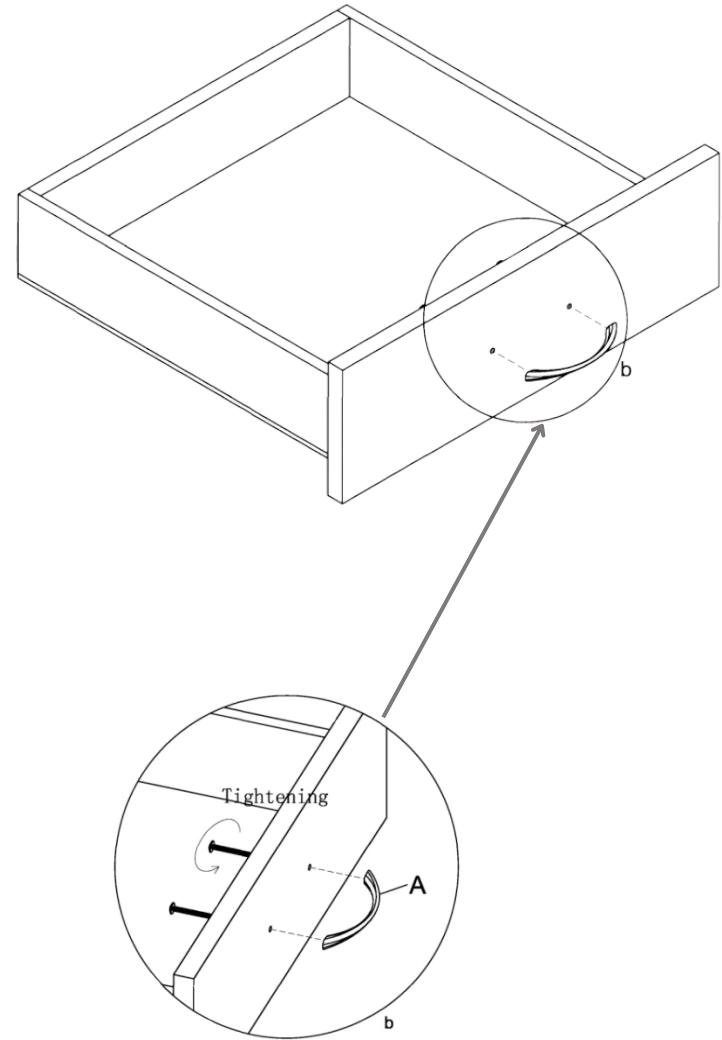
E-Keys x1

You will need a phillips screwdriver to assemble this unit

Step 1



Step 2



Step 3

