

# MOBEL 2D1F MOBILE

## Assembly Instructions

Thank you for your purchase

Please follow the instructions for correct assembly

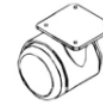


## Hardware Supplied

Below parts may vary:



A-Handle x3



B-Caster x2



C-Caster with  
Brake x2



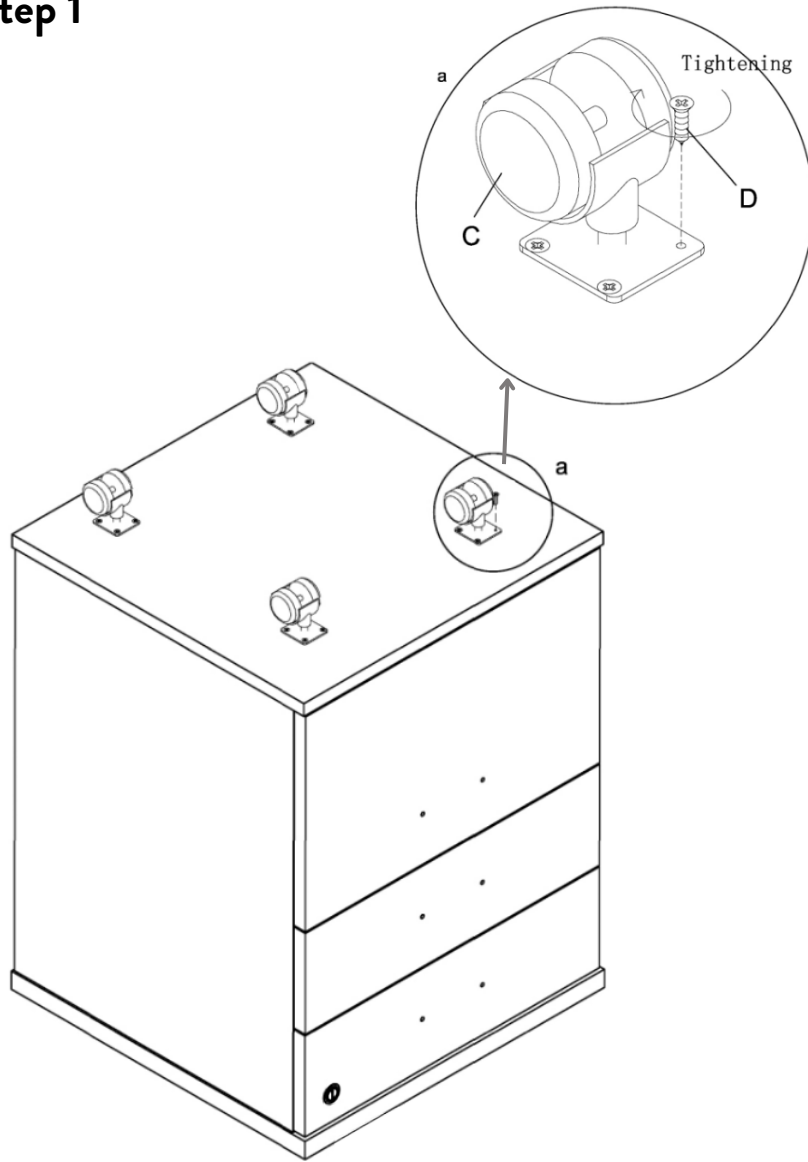
D-Screws x16



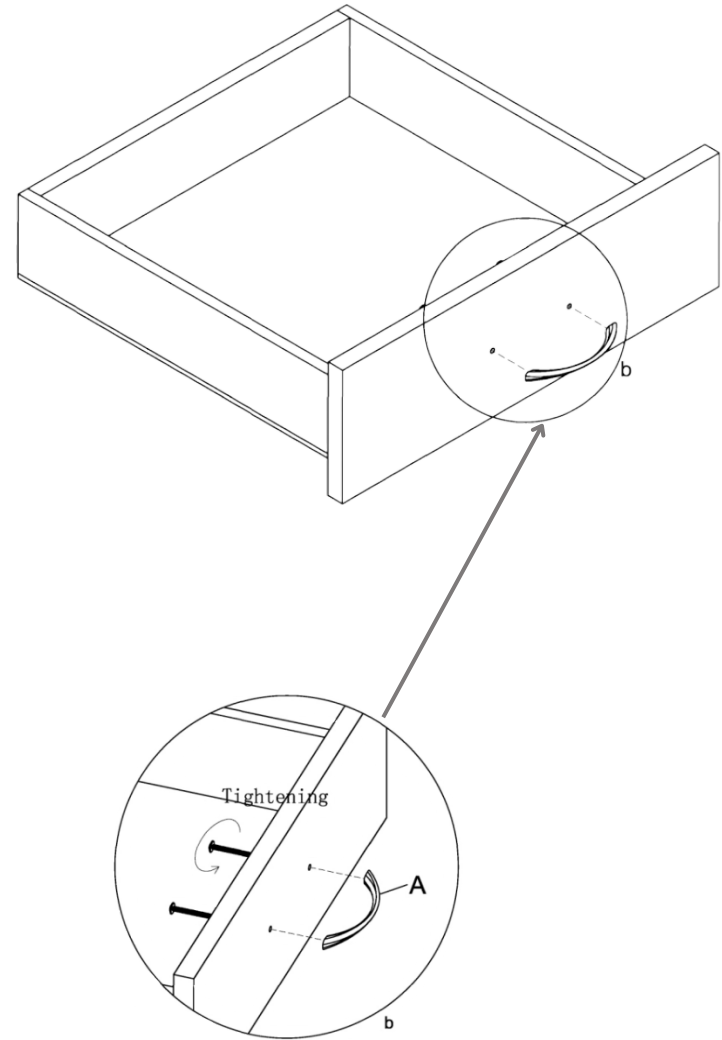
E-Keys x1

*You will need a phillips screwdriver to assemble this unit*

# Step 1



# Step 2



### Step 3

