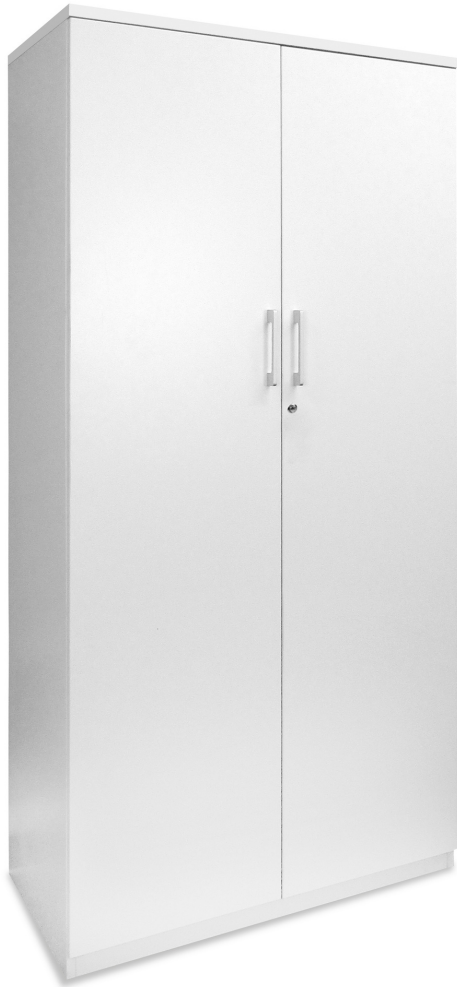


MOBEL CUPBOARD

Assembly Instructions

Thank you for your purchase

Please follow the instructions for correct assembly



Hardware Supplied

Below parts may vary:



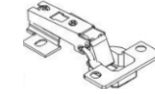
A-Camlock x25



B-Dowel x14



C- Screws x4
4*20



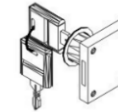
D- Hinge x8



E- Handle x2



F- Bolt x2



G-Lock x1



H- Screws x4
4*22



I- Screws x4
3*12

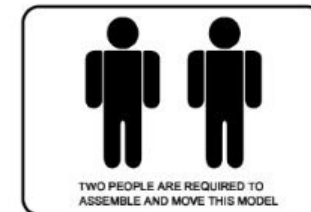
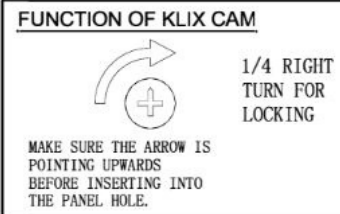


J- Screws x48
4*14



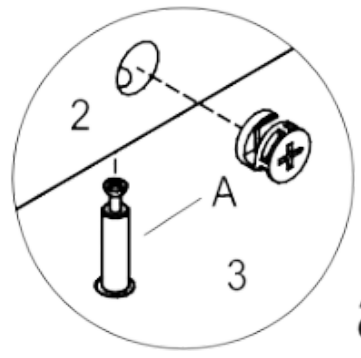
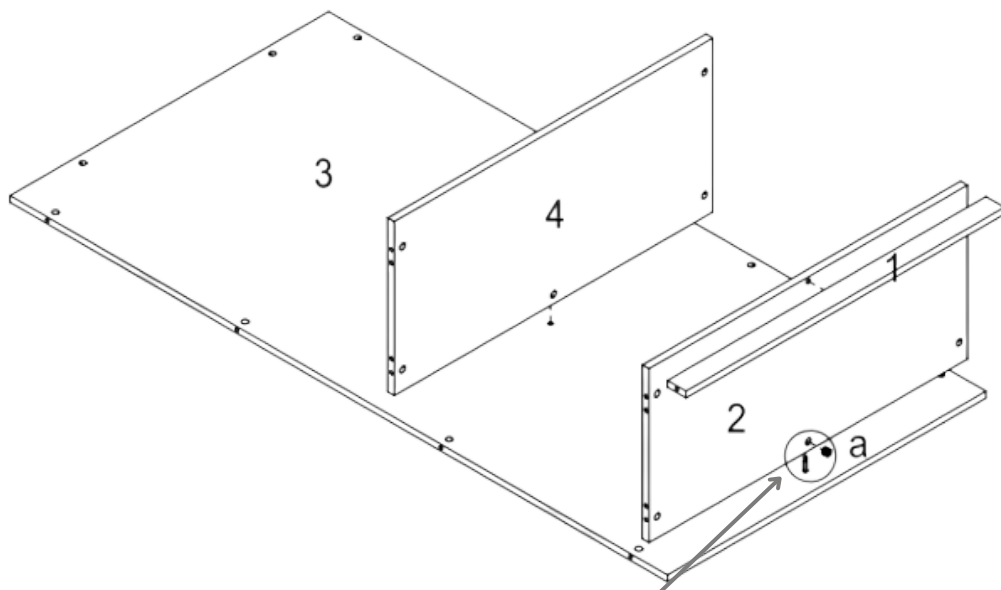
K-Shelf Supporter x12

IMPORTANT:

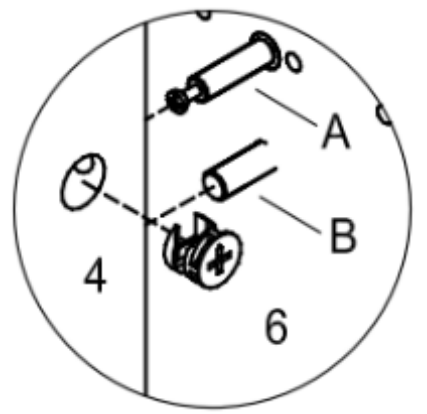
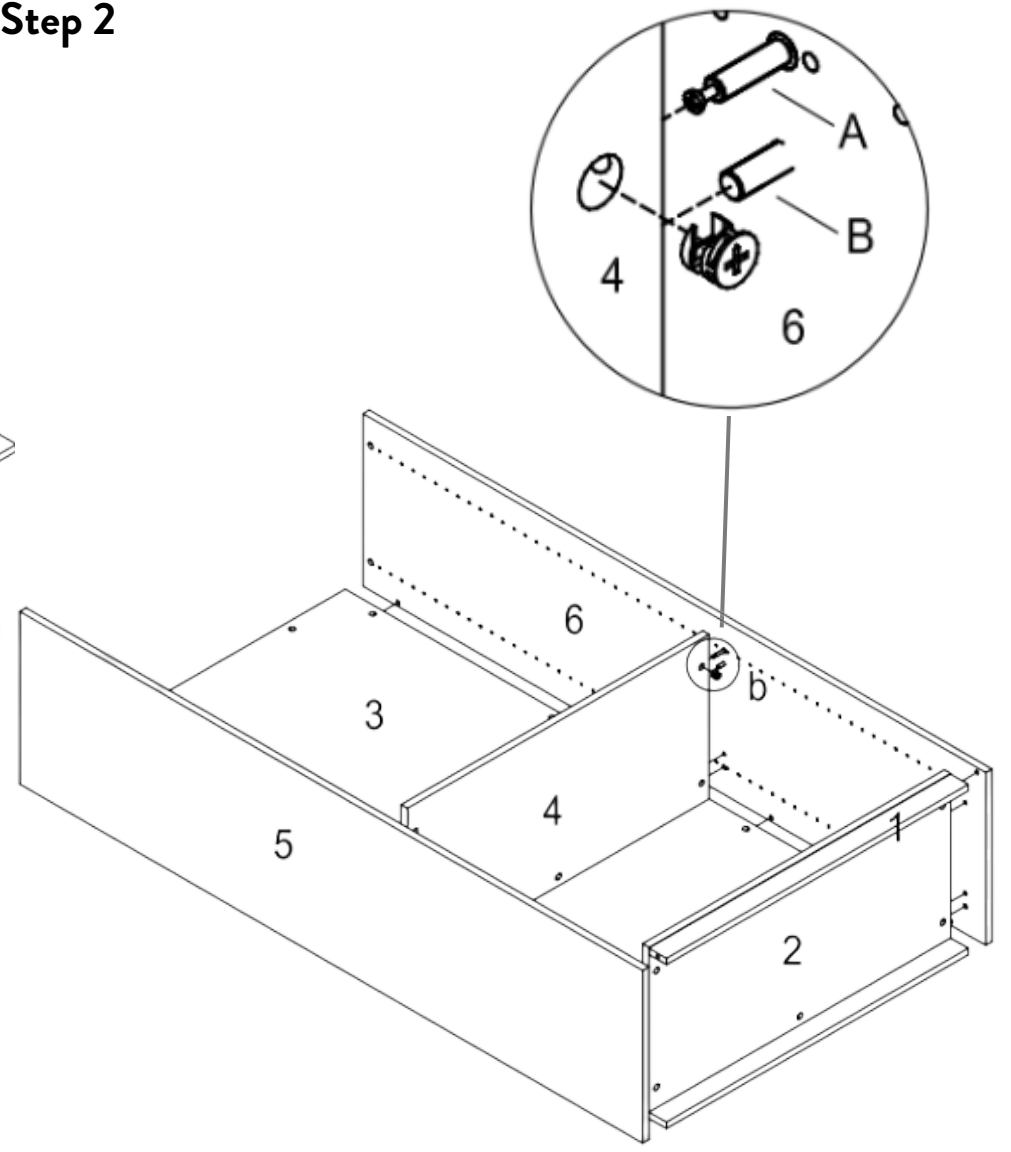


You will need a phillips screwdriver to assemble this unit

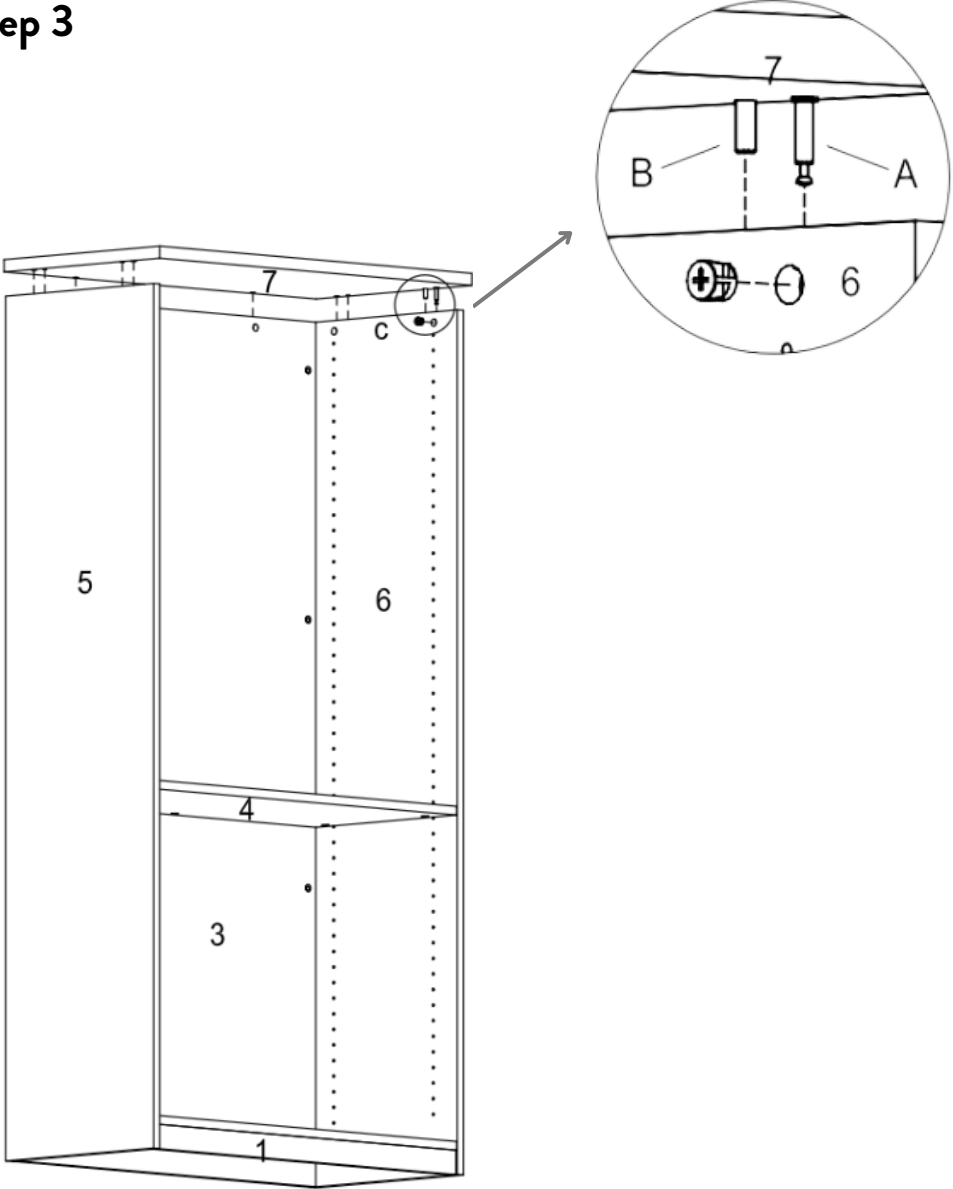
Step 1



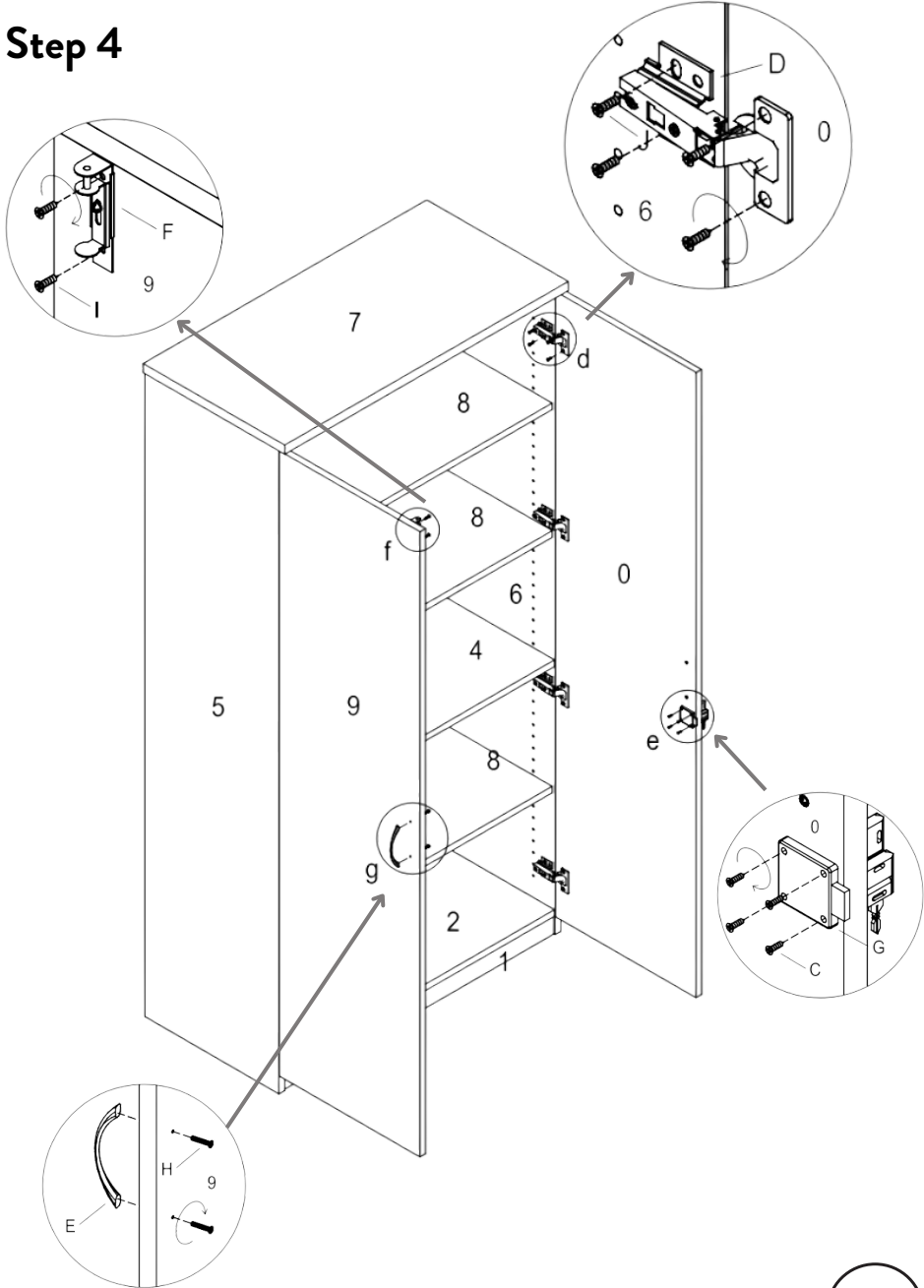
Step 2



Step 3



Step 4



Hinge Adjustment

