

MOBEL BOOKCASE

Assembly Instructions

Thank you for your purchase

Please follow the instructions for correct assembly



Hardware Supplied

Below parts may vary:



A-Camlock x20



B-Dowel x10



C-Shelf Supporter x16

IMPORTANT:

FUNCTION OF KLIX CAM



1/4 RIGHT
TURN FOR
LOCKING

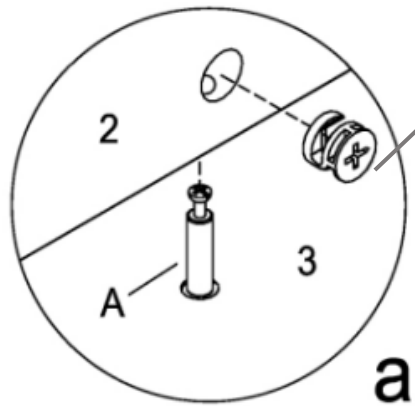
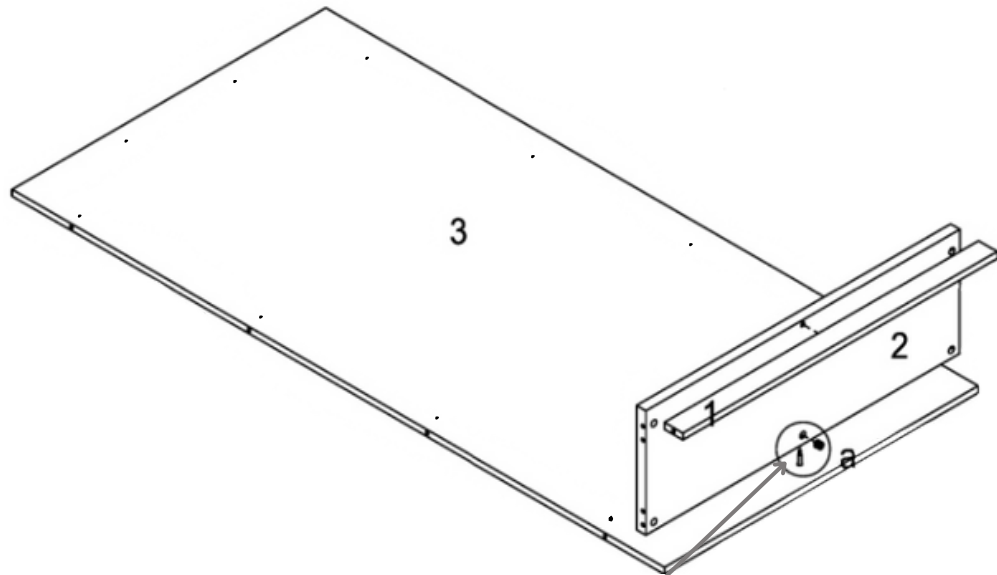
MAKE SURE THE ARROW IS
POINTING UPWARDS
BEFORE INSERTING INTO
THE PANEL HOLE.



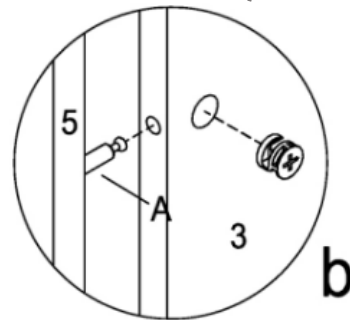
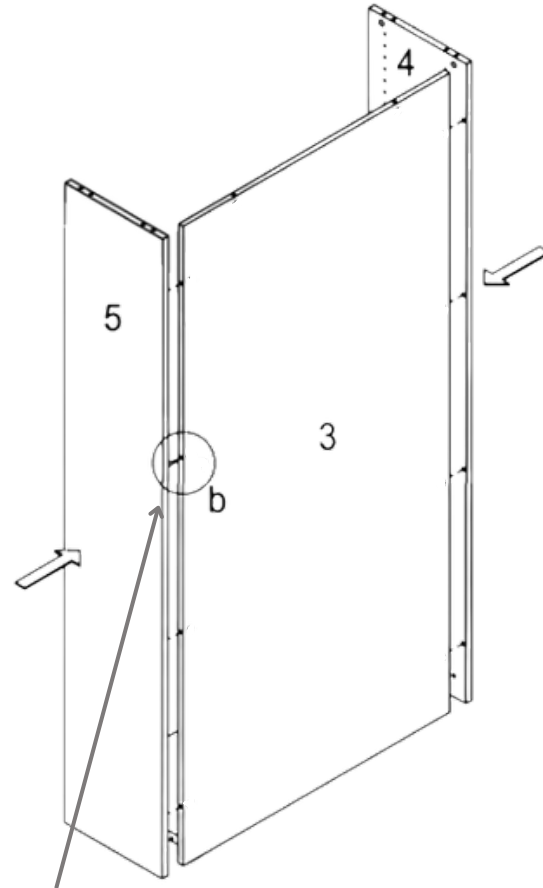
TWO PEOPLE ARE REQUIRED TO
ASSEMBLE AND MOVE THIS MODEL

You will need a phillips screwdriver to assemble this unit

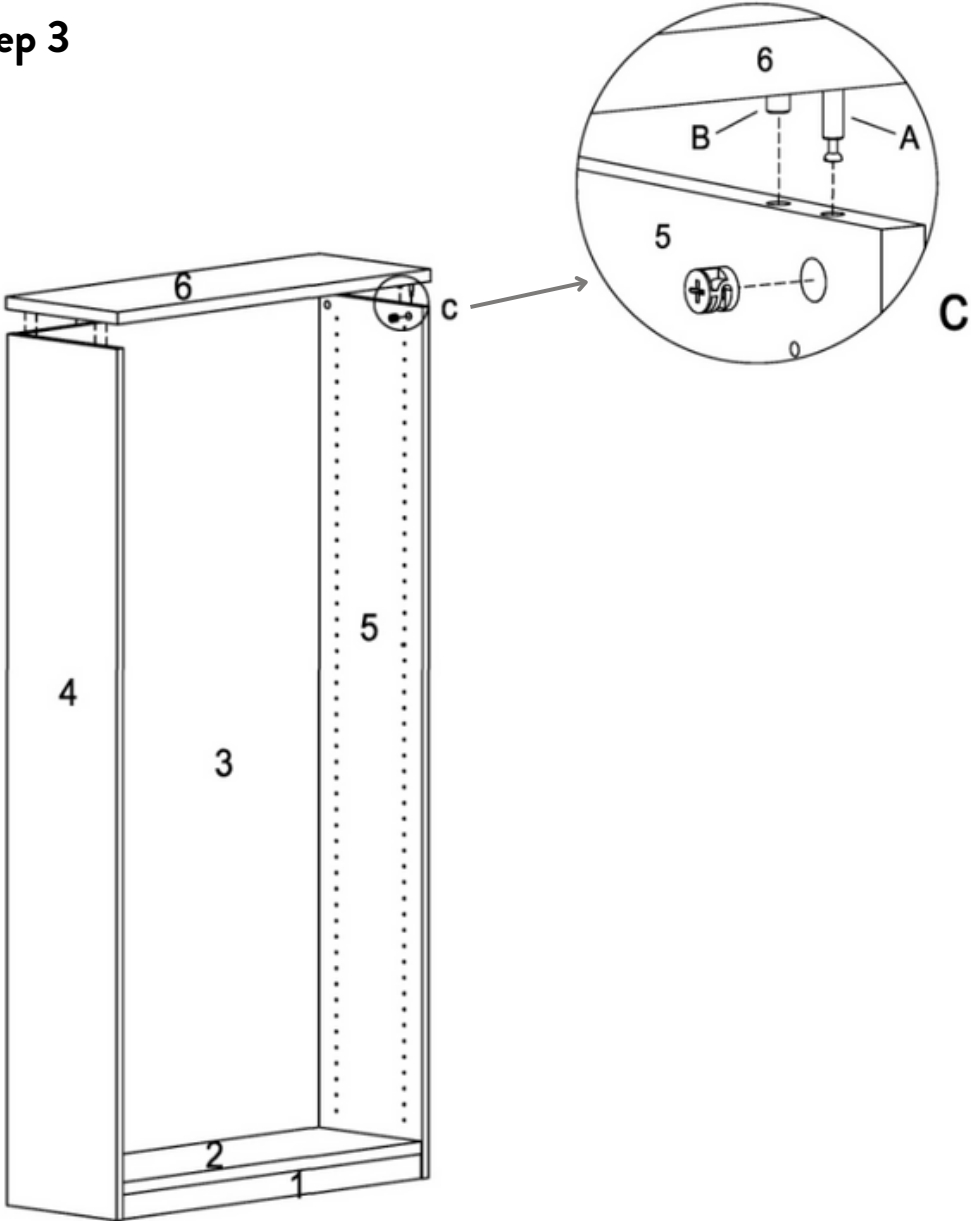
Step 1



Step 2



Step 3



Step 4

