

MOBEL 1800 CREDENZA

Assembly Instructions

Thank you for your purchase

Please follow the instructions for correct assembly



Hardware Supplied

Below parts may vary:



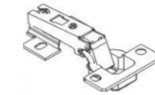
A-Camlock x29



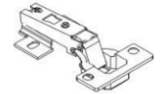
B-Dowel x14



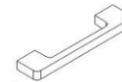
C- Screws x8
3.5*16



D- Hinge x4



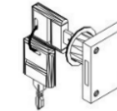
E- Hinge x4



F- Handle x4



G-Bolt x2



H- Lock x2



I- Screws x6
4*22



J- Screws x8
3*12

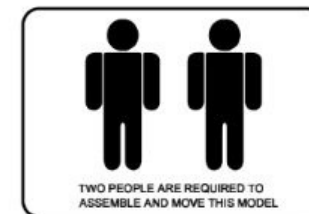
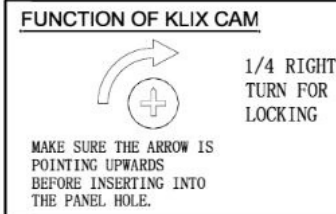


K-Screws x12
4*16



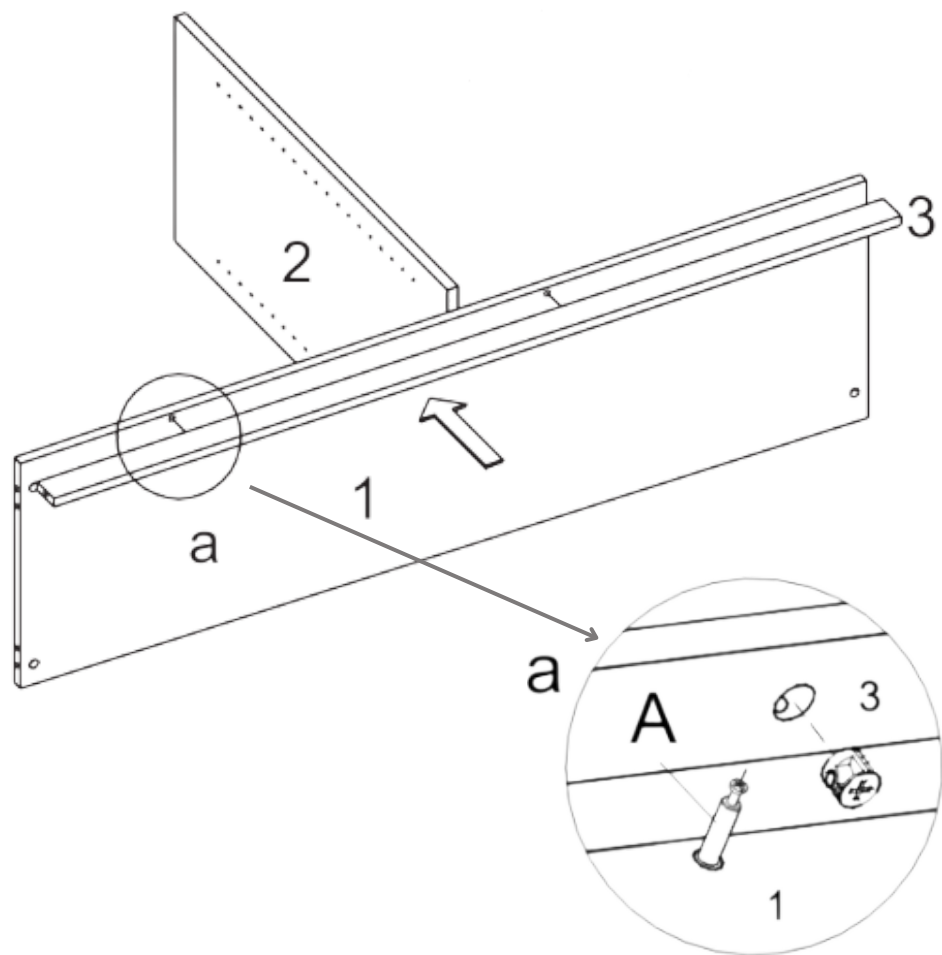
L- Shelf Supporter x 8

IMPORTANT:

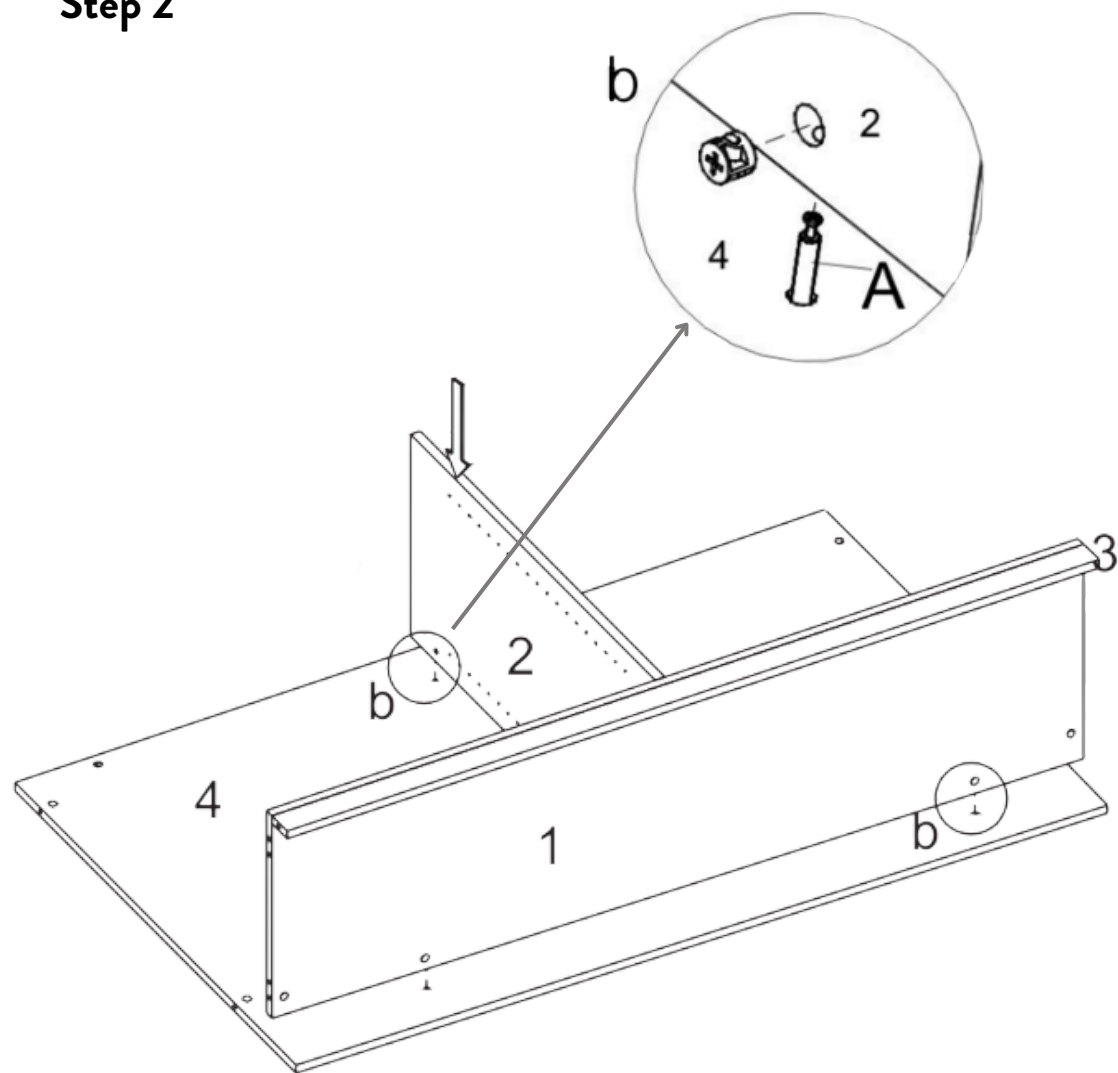


You will need a phillips screwdriver to assemble this unit

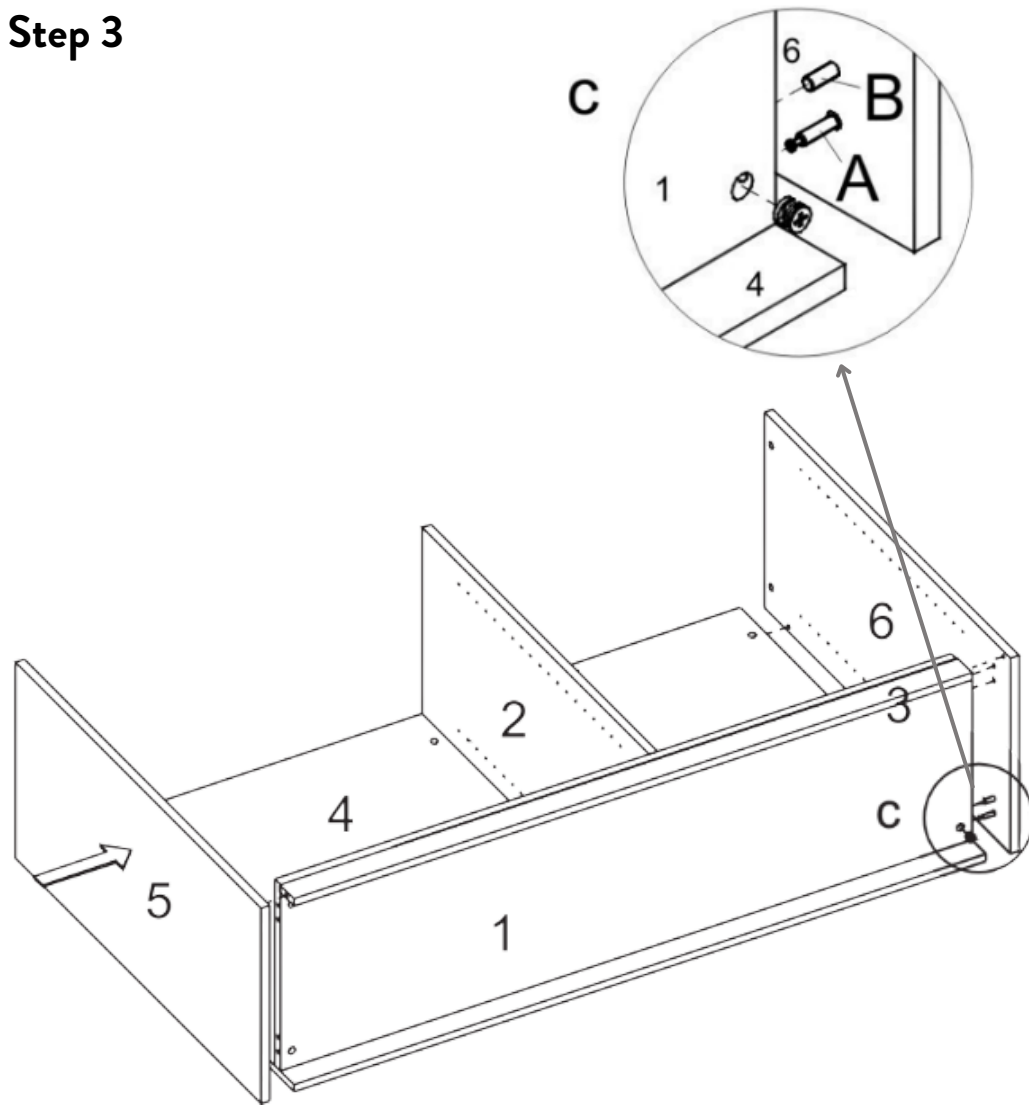
Step 1



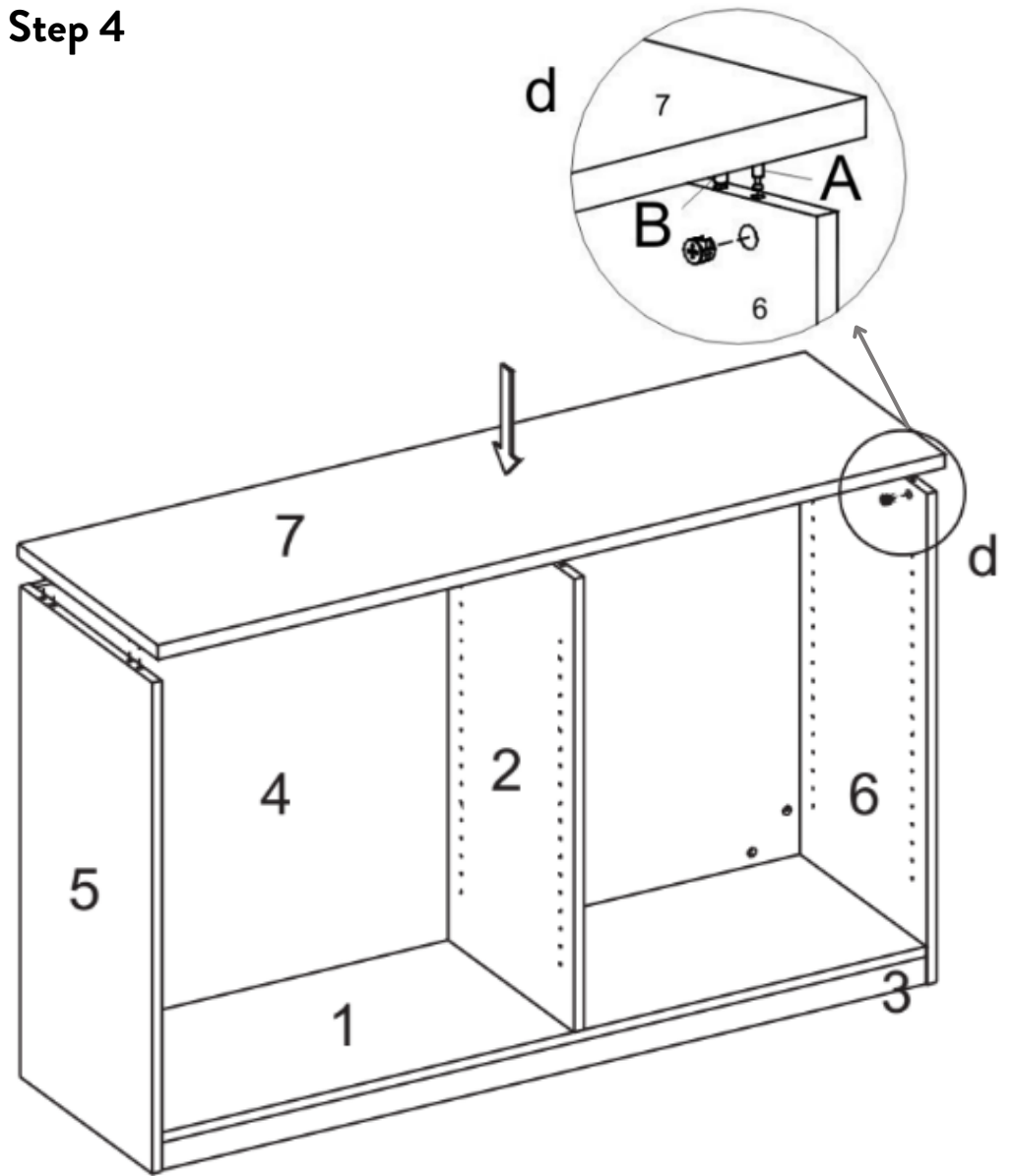
Step 2



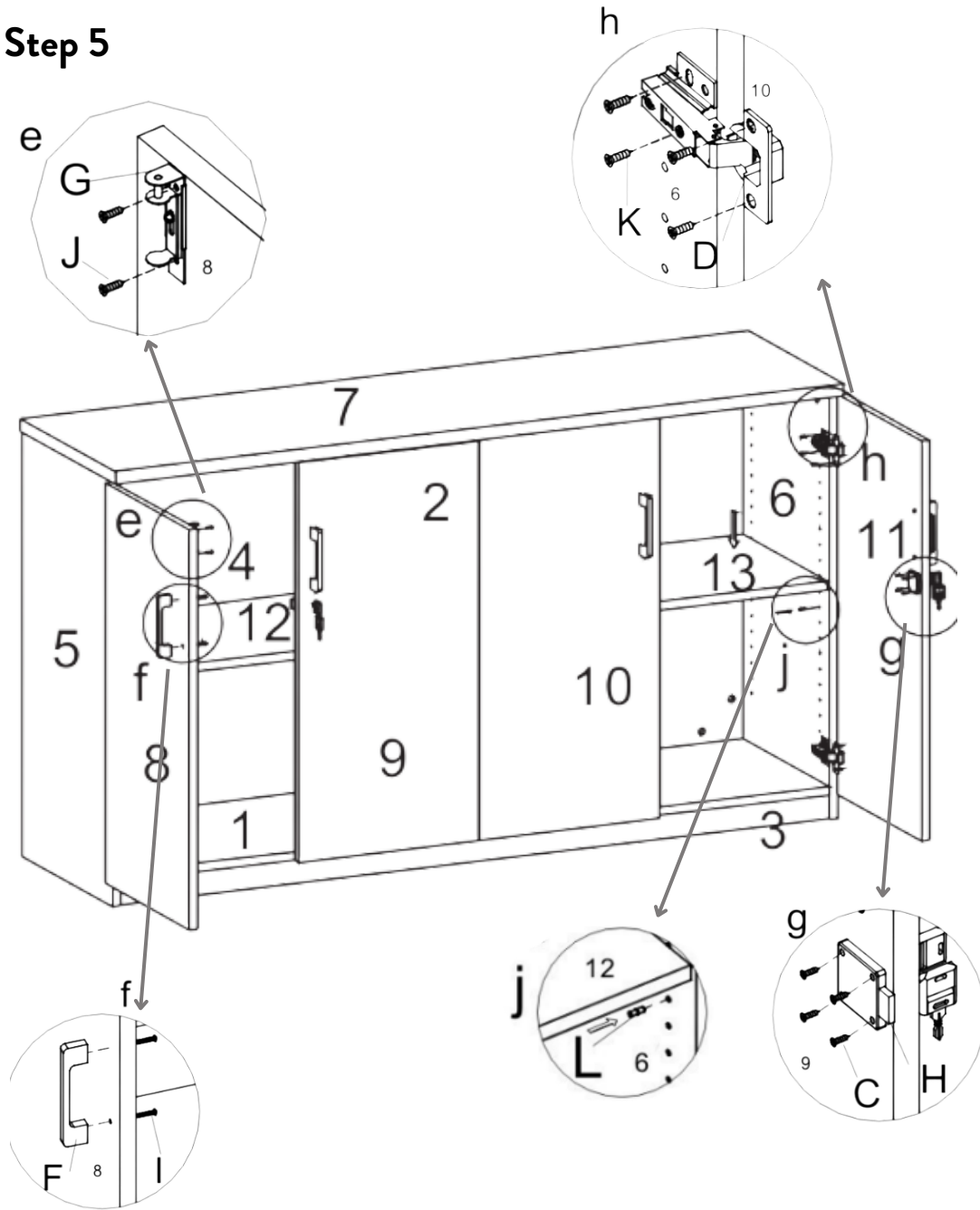
Step 3



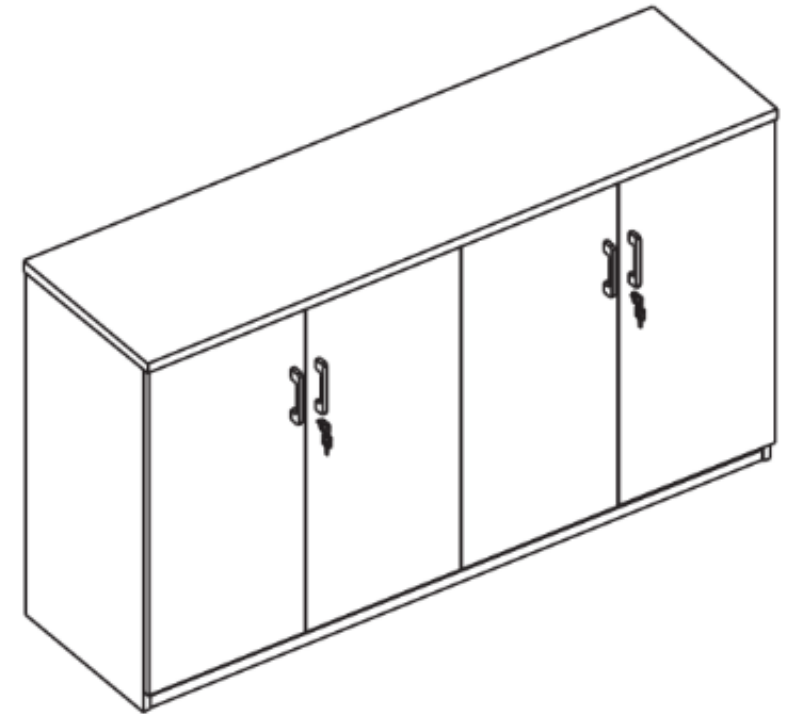
Step 4



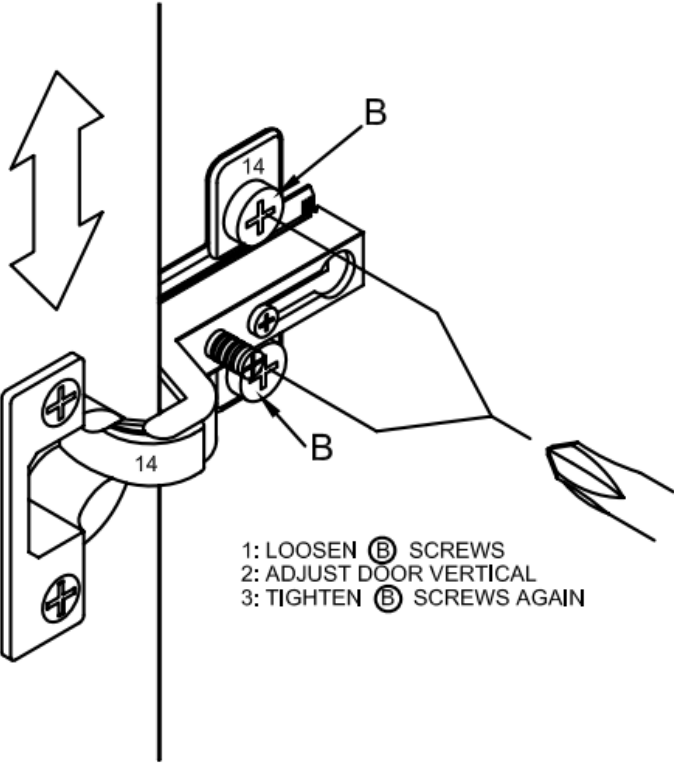
Step 5



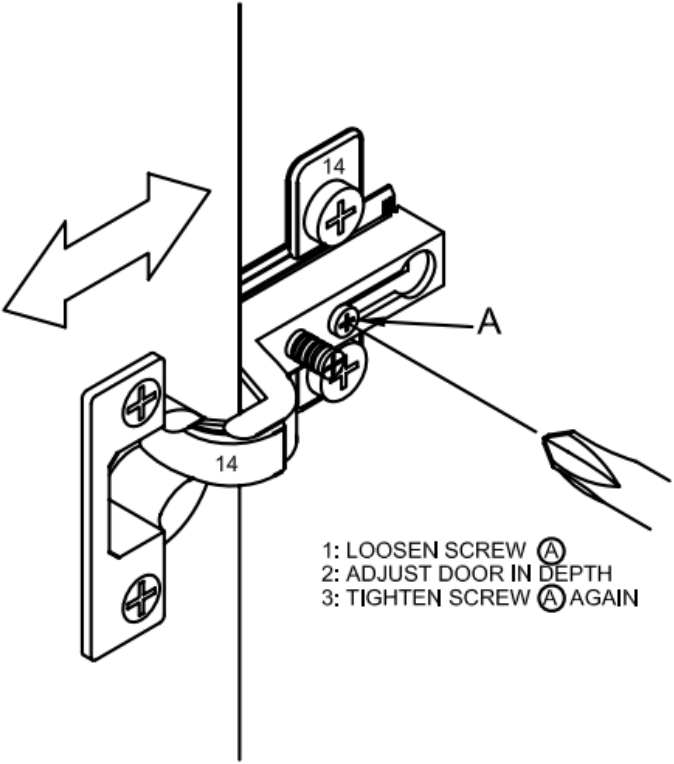
Step 6



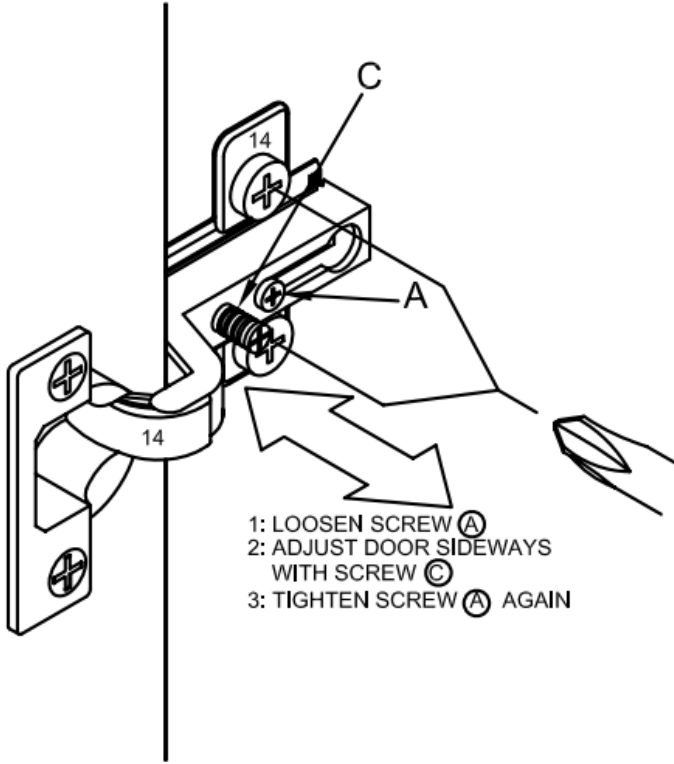
Hinge Adjustment



- 1: LOOSEN ⓑ SCREWS
- 2: ADJUST DOOR VERTICAL
- 3: TIGHTEN ⓑ SCREWS AGAIN



- 1: LOOSEN SCREW ⓐ
- 2: ADJUST DOOR IN DEPTH
- 3: TIGHTEN SCREW ⓐ AGAIN



- 1: LOOSEN SCREW ⓐ
- 2: ADJUST DOOR SIDWAYS WITH SCREW Ⓒ
- 3: TIGHTEN SCREW ⓐ AGAIN