

MOBEL 1500 & 1800 DESK

Assembly Instructions

Thank you for your purchase

Please follow the instructions for correct assembly



Hardware Supplied

Below parts may vary:



A-Camlock x12



B-Dowel x9



C- Grommet x2

IMPORTANT:

FUNCTION OF KLIX CAM



1/4 RIGHT
TURN FOR
LOCKING

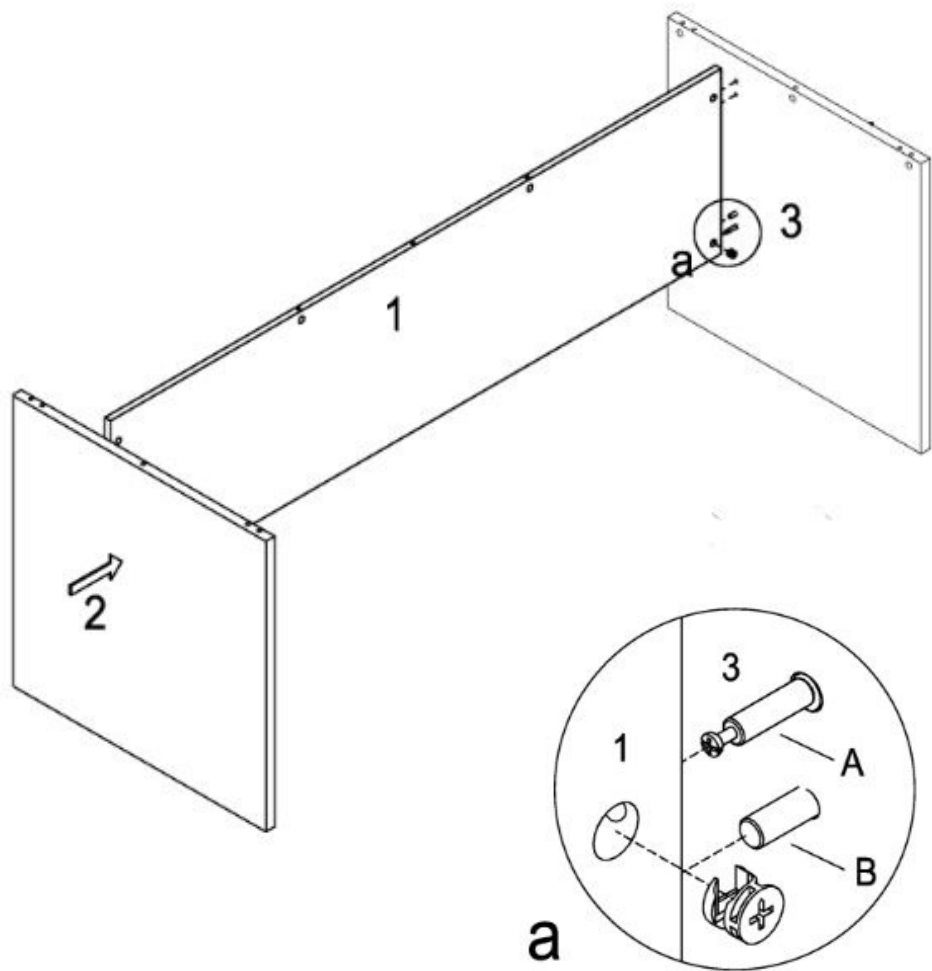
MAKE SURE THE ARROW IS
POINTING UPWARDS
BEFORE INSERTING INTO
THE PANEL HOLE.



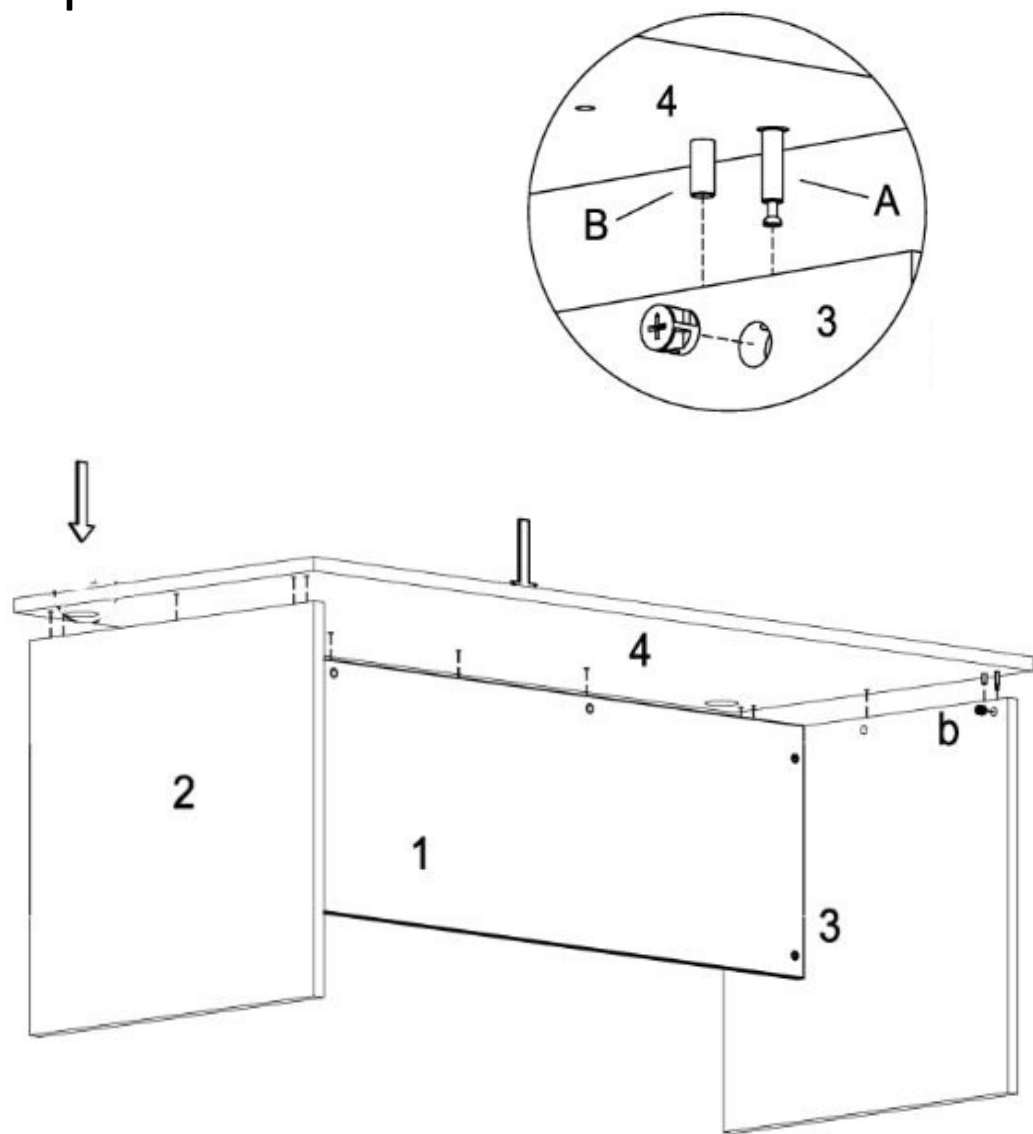
TWO PEOPLE ARE REQUIRED TO
ASSEMBLE AND MOVE THIS MODEL

You will need a phillips screwdriver to assemble this unit

Step 1



Step 2



Step 3

