

# MOBEL 1200 DESK

## Assembly Instructions

Thank you for your purchase

Please follow the instructions for correct assembly



## Hardware Supplied

Below parts may vary:



A-Camlock x10



B-Dowel x9



C- Grommet x1

IMPORTANT:

### FUNCTION OF KLIX CAM



1/4 RIGHT  
TURN FOR  
LOCKING

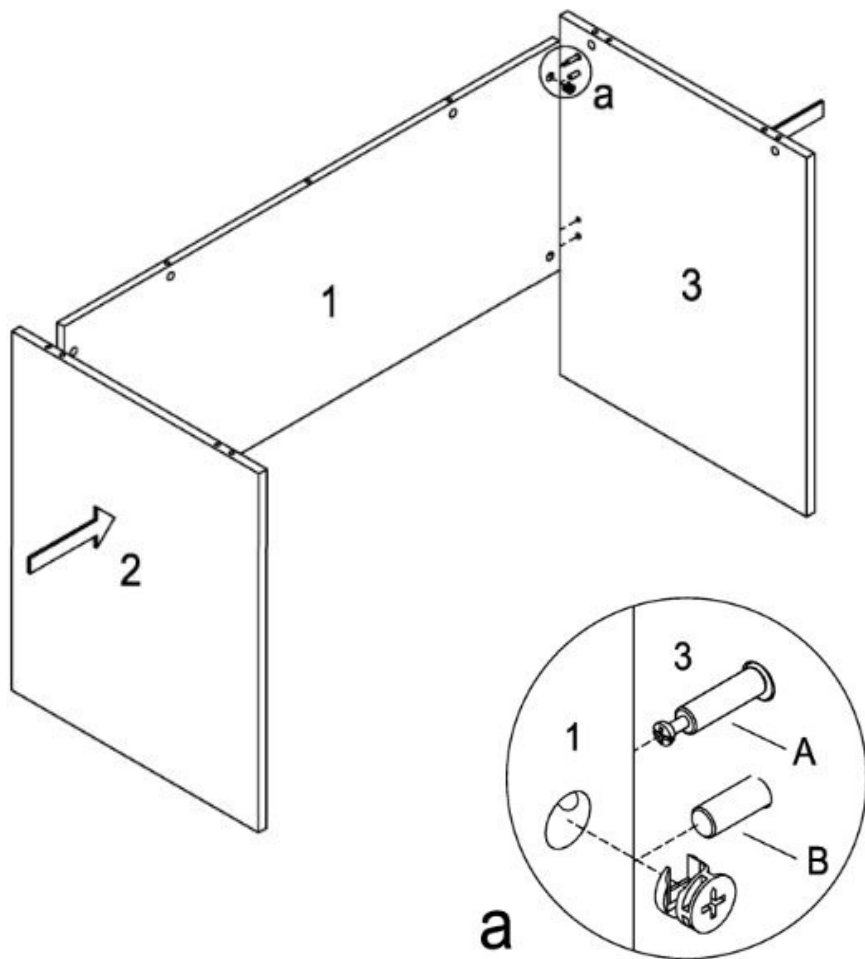
MAKE SURE THE ARROW IS  
POINTING UPWARDS  
BEFORE INSERTING INTO  
THE PANEL HOLE.



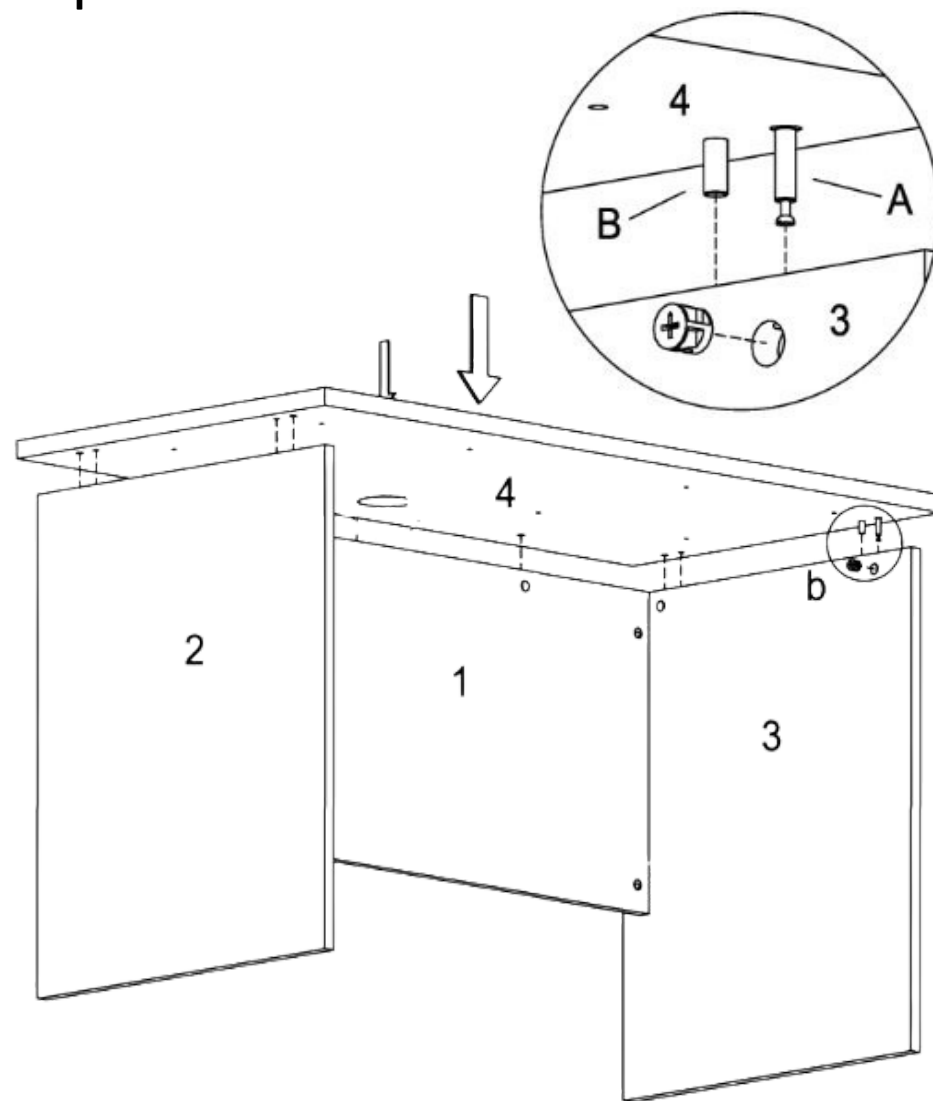
TWO PEOPLE ARE REQUIRED TO  
ASSEMBLE AND MOVE THIS MODEL

*You will need a phillips screwdriver to assemble this unit*

### Step 1



### Step 2



### Step 3

