

MOBEL 1200 CREDENZA

Assembly Instructions

Thank you for your purchase

Please follow the instructions for correct assembly



Hardware Supplied

Below parts may vary:



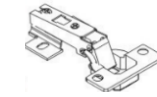
A-Camlock x29



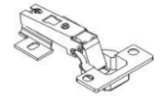
B-Dowel x14



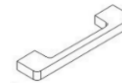
C- Screws x8
3.5*16



D- Hinge x4



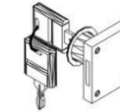
E- Hinge x2



F- Handle x3



G-Bolt x1



H- Lock x2



I- Screws x6
4*12



J- Screws x6
3*12



K-Screws x12
4*16



L- Shelf Supporter x 8



M-Locking Piece x1

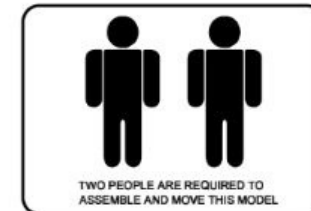
IMPORTANT:

FUNCTION OF KLIX CAM



1/4 RIGHT
TURN FOR
LOCKING

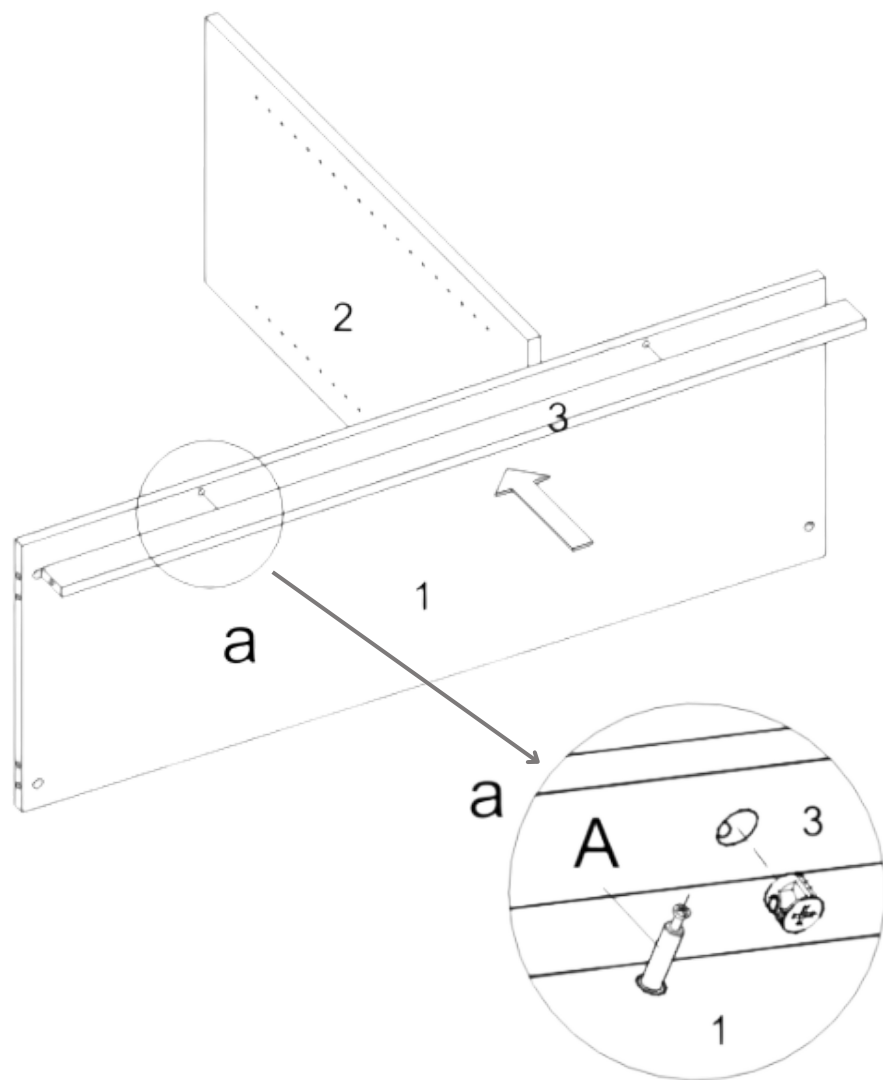
MAKE SURE THE ARROW IS
POINTING UPWARDS
BEFORE INSERTING INTO
THE PANEL HOLE.



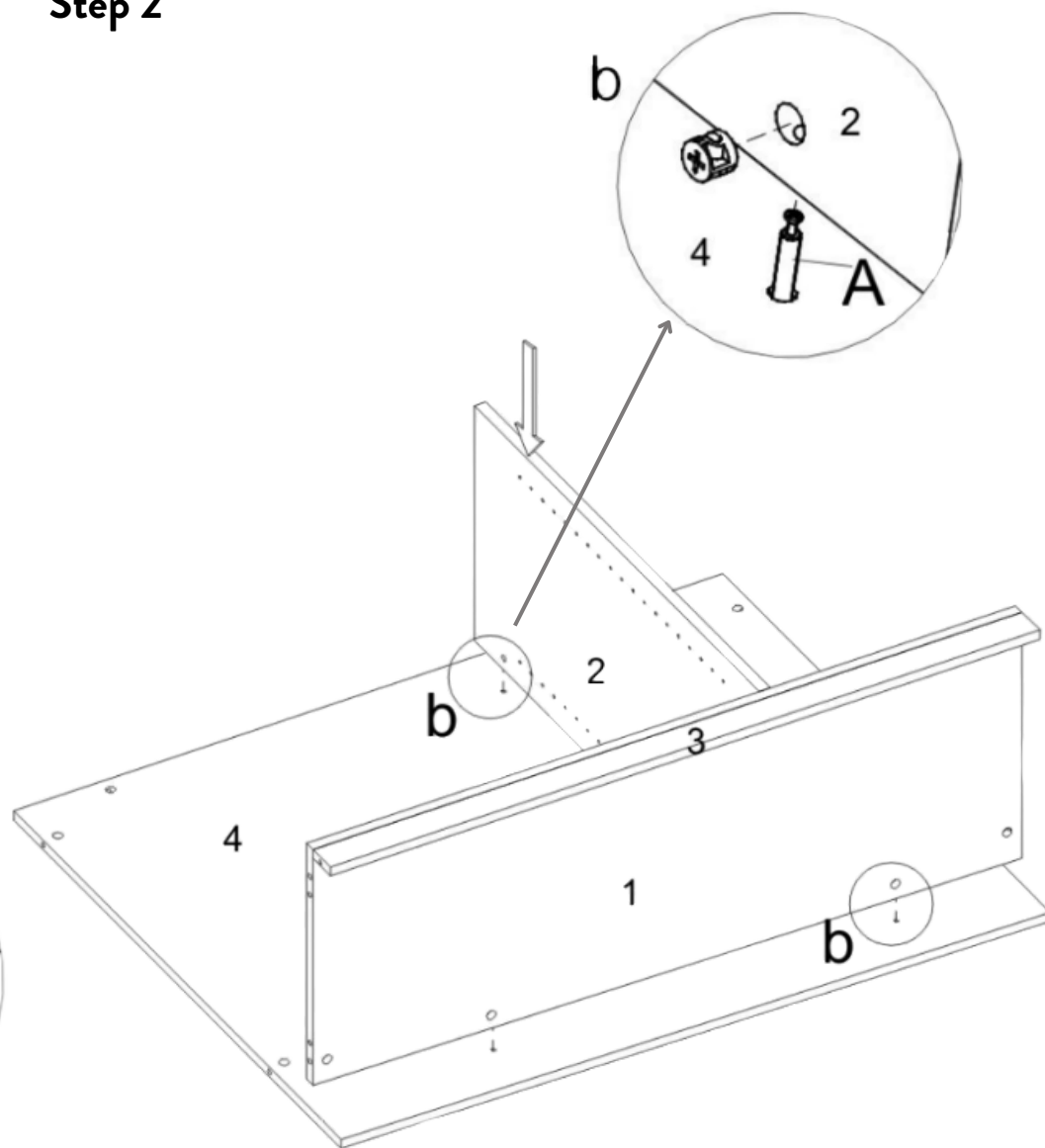
TWO PEOPLE ARE REQUIRED TO
ASSEMBLE AND MOVE THIS MODEL

You will need a phillips screwdriver to assemble this unit

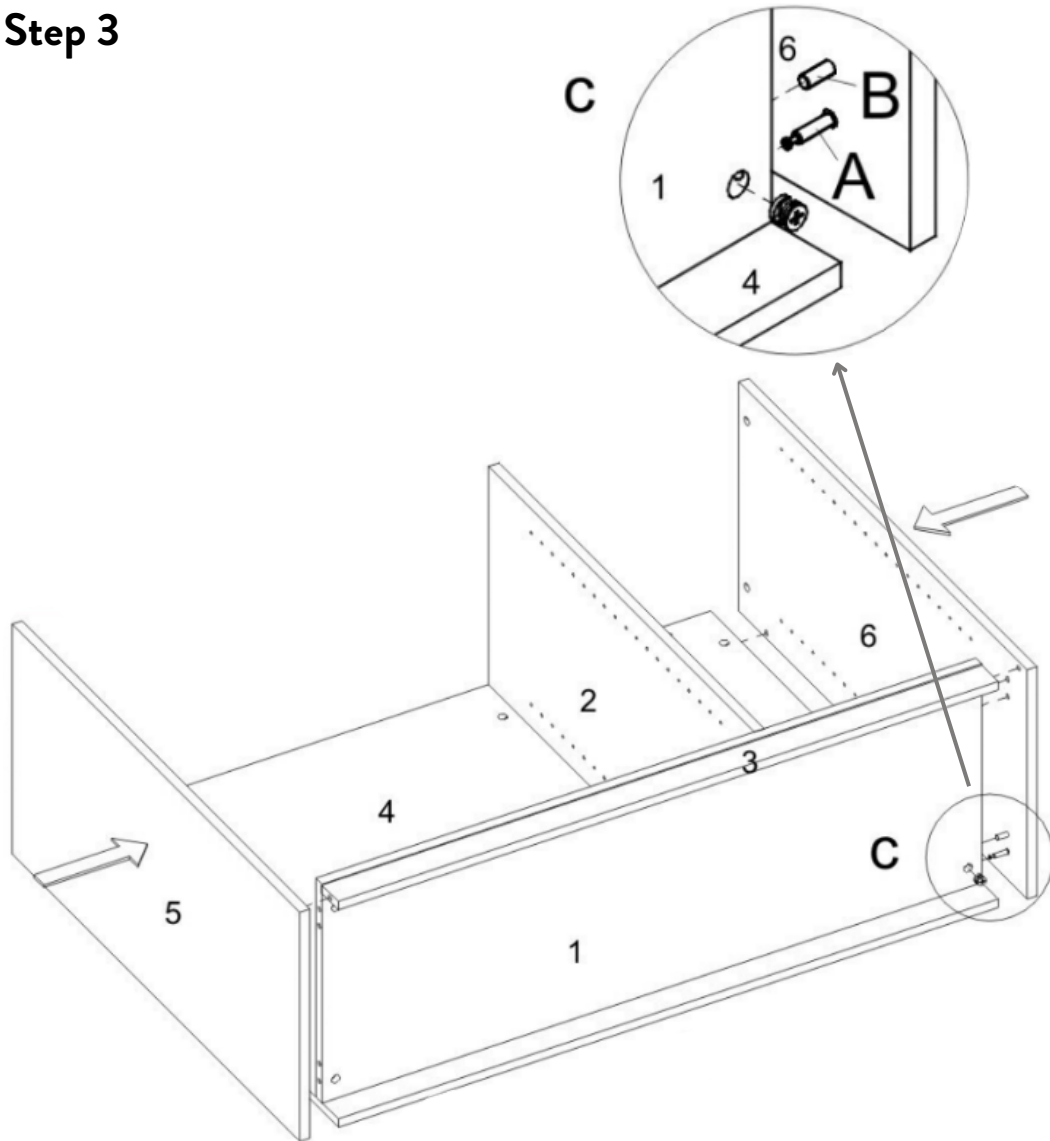
Step 1



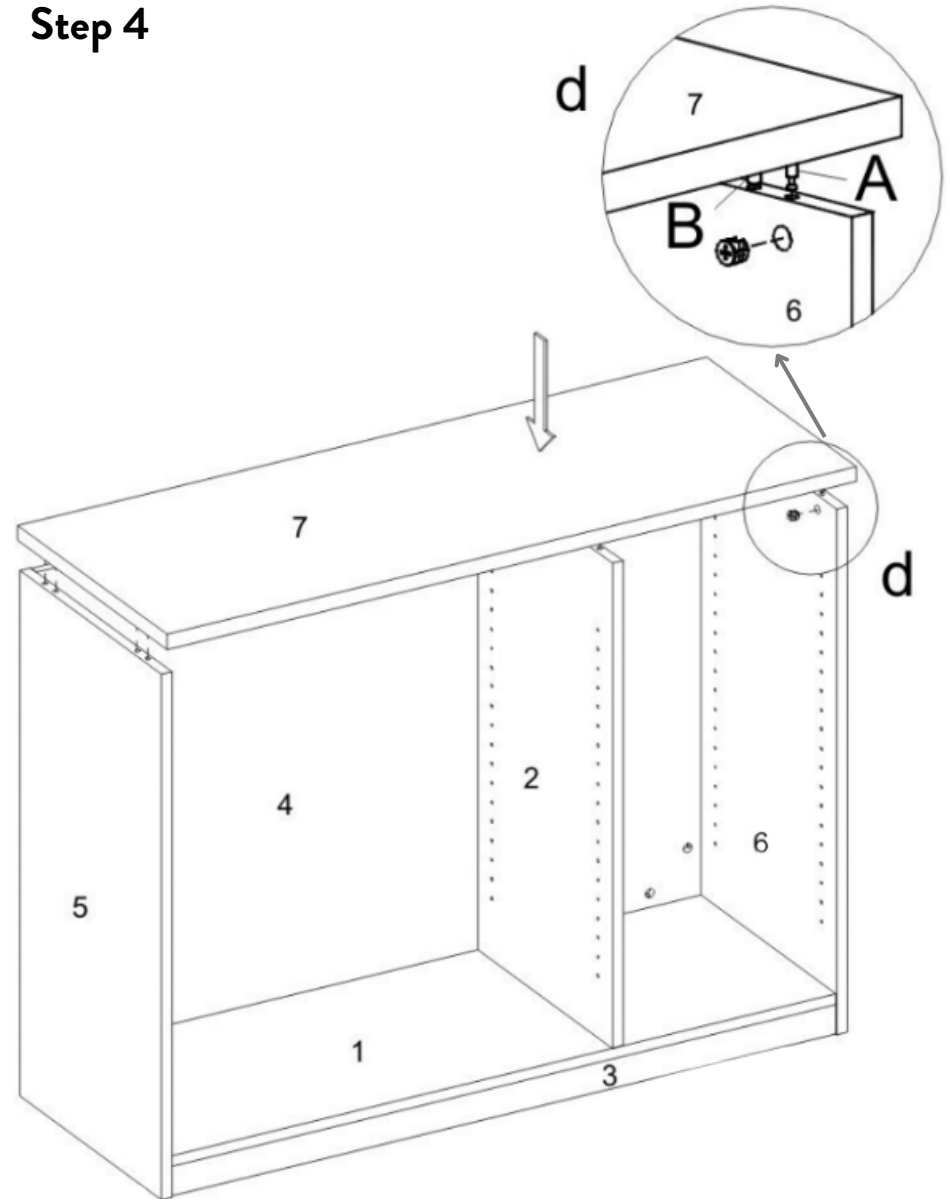
Step 2



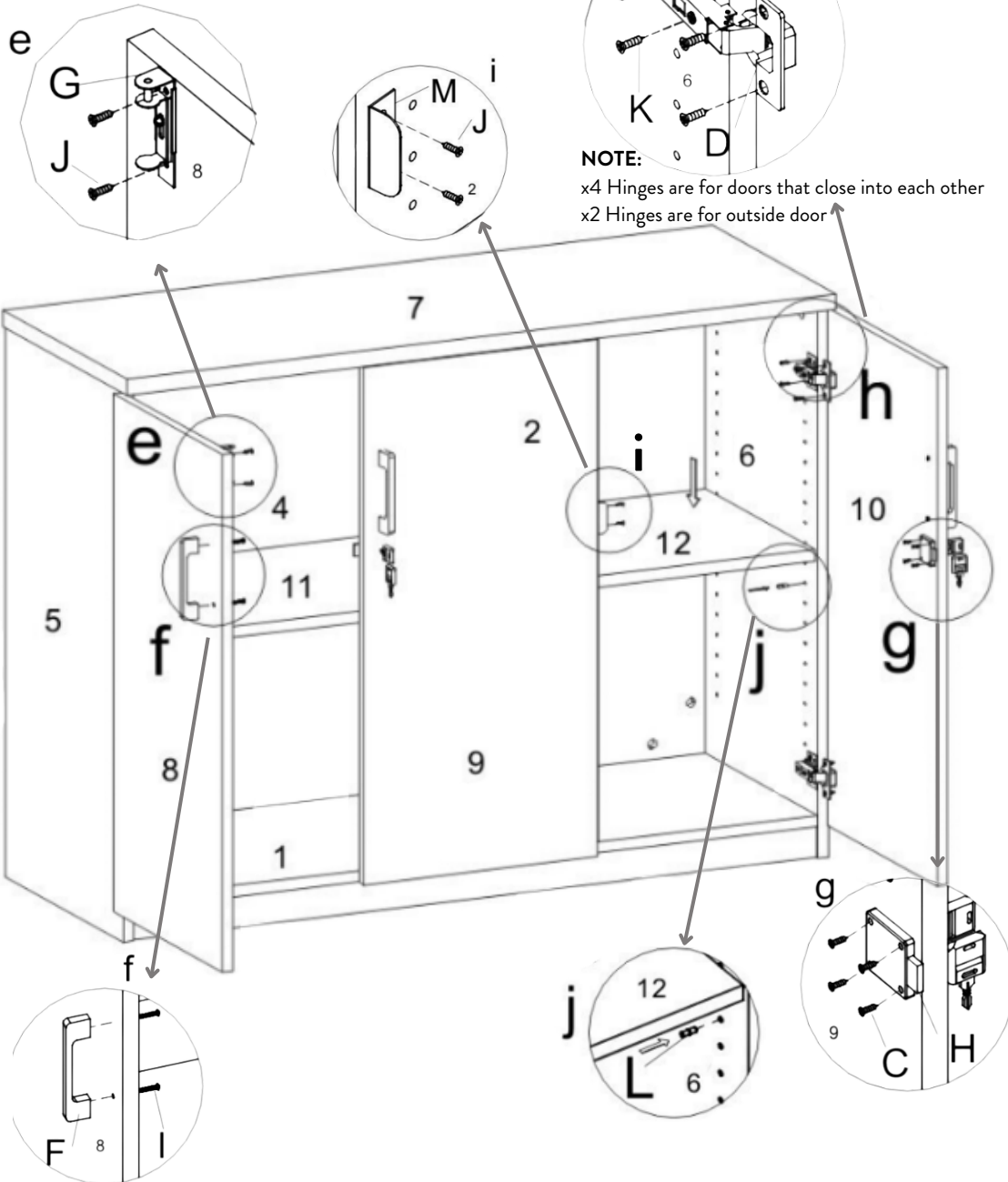
Step 3



Step 4



Step 5



Step 6



Hinge Adjustment

