

# MAXIM DESK WITH RETURN

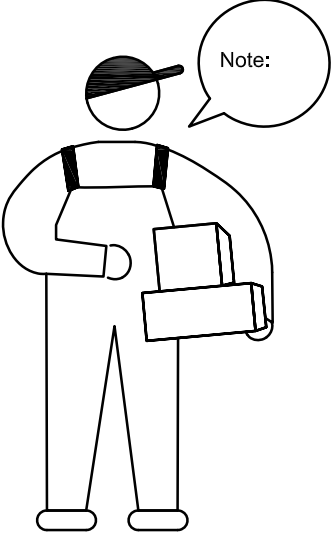
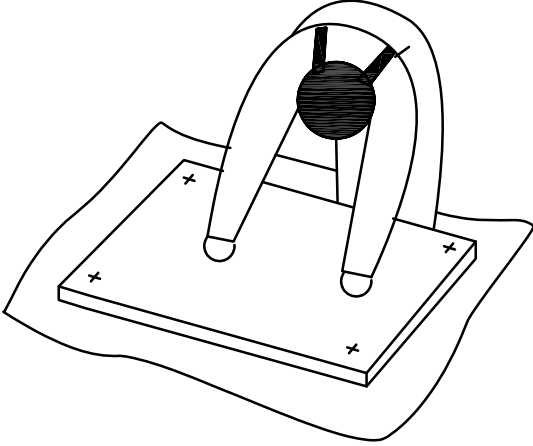
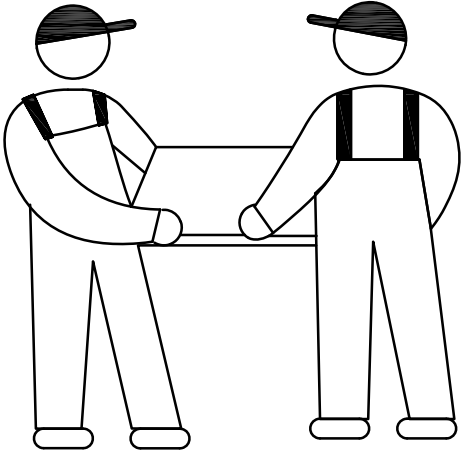
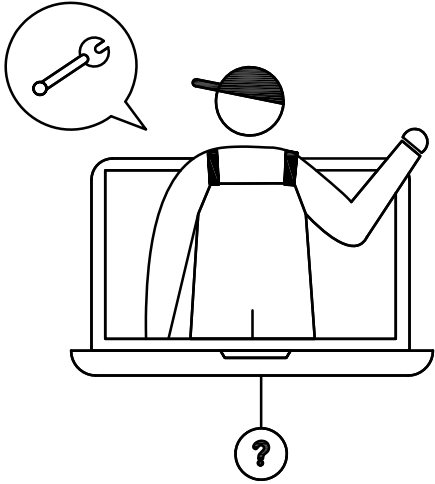
## Assembly Instructions

Thank you for your purchase

Please follow the instructions for correct assembly



# Assembly note:

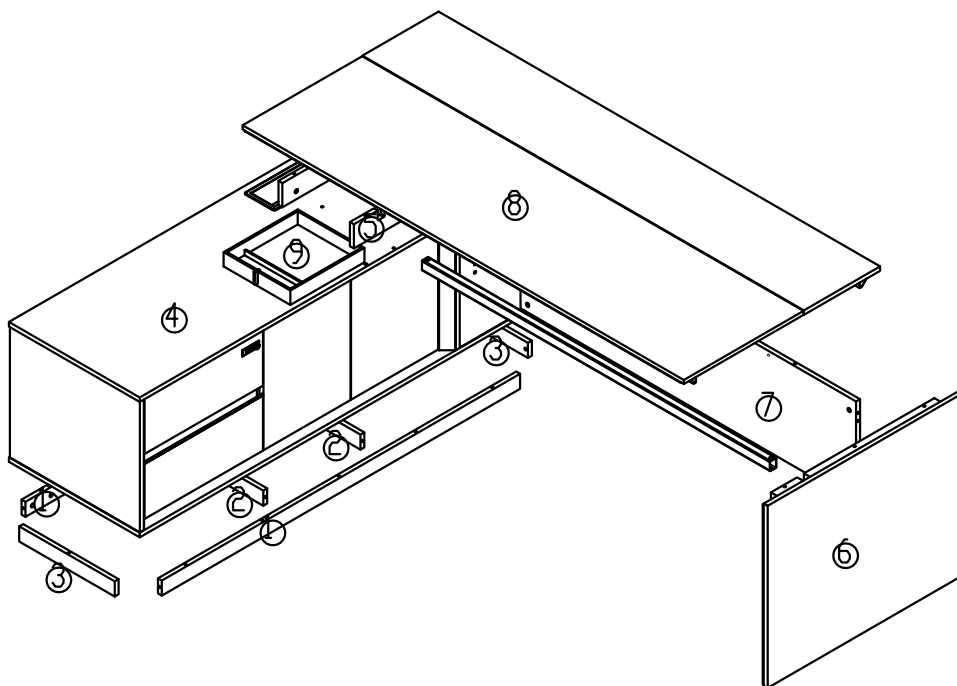
 <p>Note:</p>	<p>Use a protective layer and handle the product with care.</p> 
<p>At least two people are required.</p> 	<p>Contact your supplier if you need assistance</p> 

---

This picture shows all the accessories required, among them some are key accessories.  
If you have missed any, please contact Sunon. Tel:+86-400-8600-666

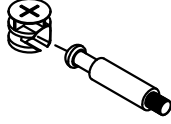





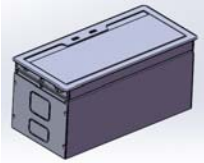

---

### Explosion diagram:



No.	Name	Pcs
1	long base strip	2
2	short base strip	2
3	medium base strip	2
4	assembled side cabinet	1
5	cable box support	1
6	base panel	1
7	modesty panel	1
8	tabletop	1
9	under-desk leather drawer	1

## Accessory list:

<div data-bbox="140 421 188 456" style="border: 1px solid black; padding: 2px;">A</div> 	<div data-bbox="539 421 587 456" style="border: 1px solid black; padding: 2px;">B</div> 	<div data-bbox="938 421 986 456" style="border: 1px solid black; padding: 2px;">C</div> 
new three -in-one $\Phi 15 \times 45$ 32	plastic adjustor    M6x18    10	ring sticker $\Phi 20 \times 0.2$ 32
<div data-bbox="140 694 188 730" style="border: 1px solid black; padding: 2px;">D</div> 	<div data-bbox="539 694 587 730" style="border: 1px solid black; padding: 2px;">E</div> 	<div data-bbox="938 694 986 730" style="border: 1px solid black; padding: 2px;">F</div> 
wood stick $\Phi 8 \times 40$ 18	corner brace    55*30*25    3	flat-head tapping screw    ST5*16    16
<div data-bbox="140 972 188 1008" style="border: 1px solid black; padding: 2px;">G</div> 	<div data-bbox="539 972 587 1008" style="border: 1px solid black; padding: 2px;">H</div> 	
EFJ.44 cable box    300*140* 134    1	pull rod       1	

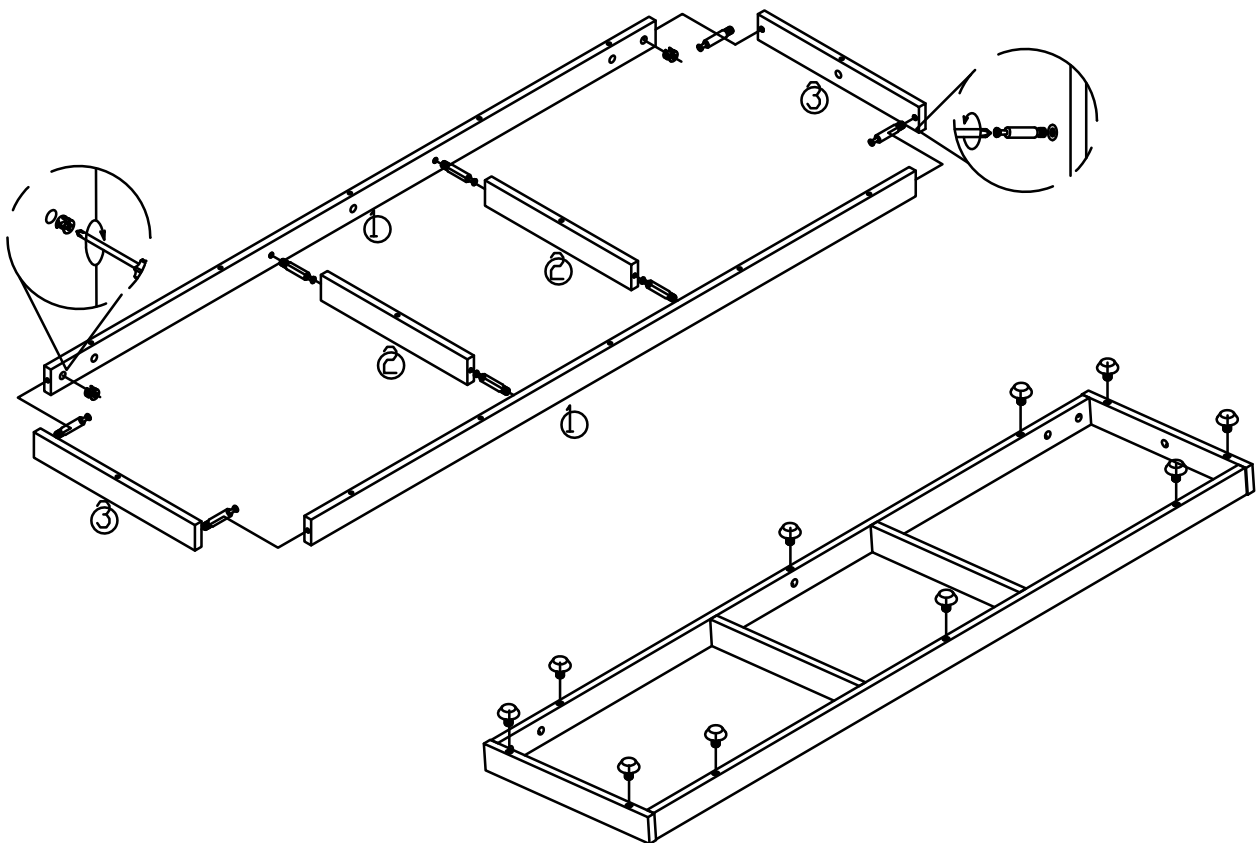
---


Install base strips and plastic adjusters.


---

1

Lay down panels and tighten the three-in-one buckles after installation.  
Install plastic adjusters.



  
Φ15\*45  
(x8)

  
M6\*18  
(x10)

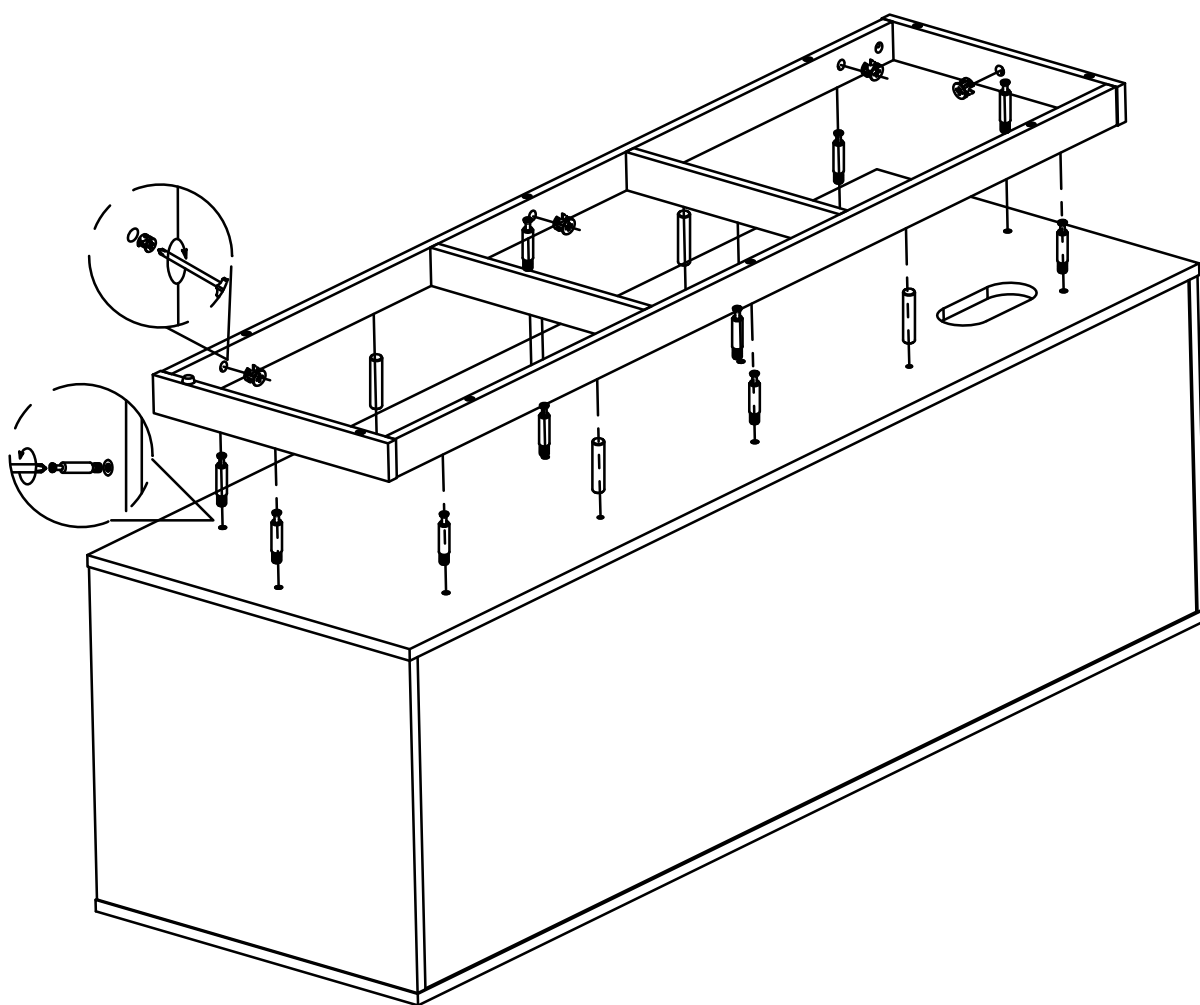
---



Install the side cabinet.

---

2

Turn over the cabinet, install base panel and fix it.



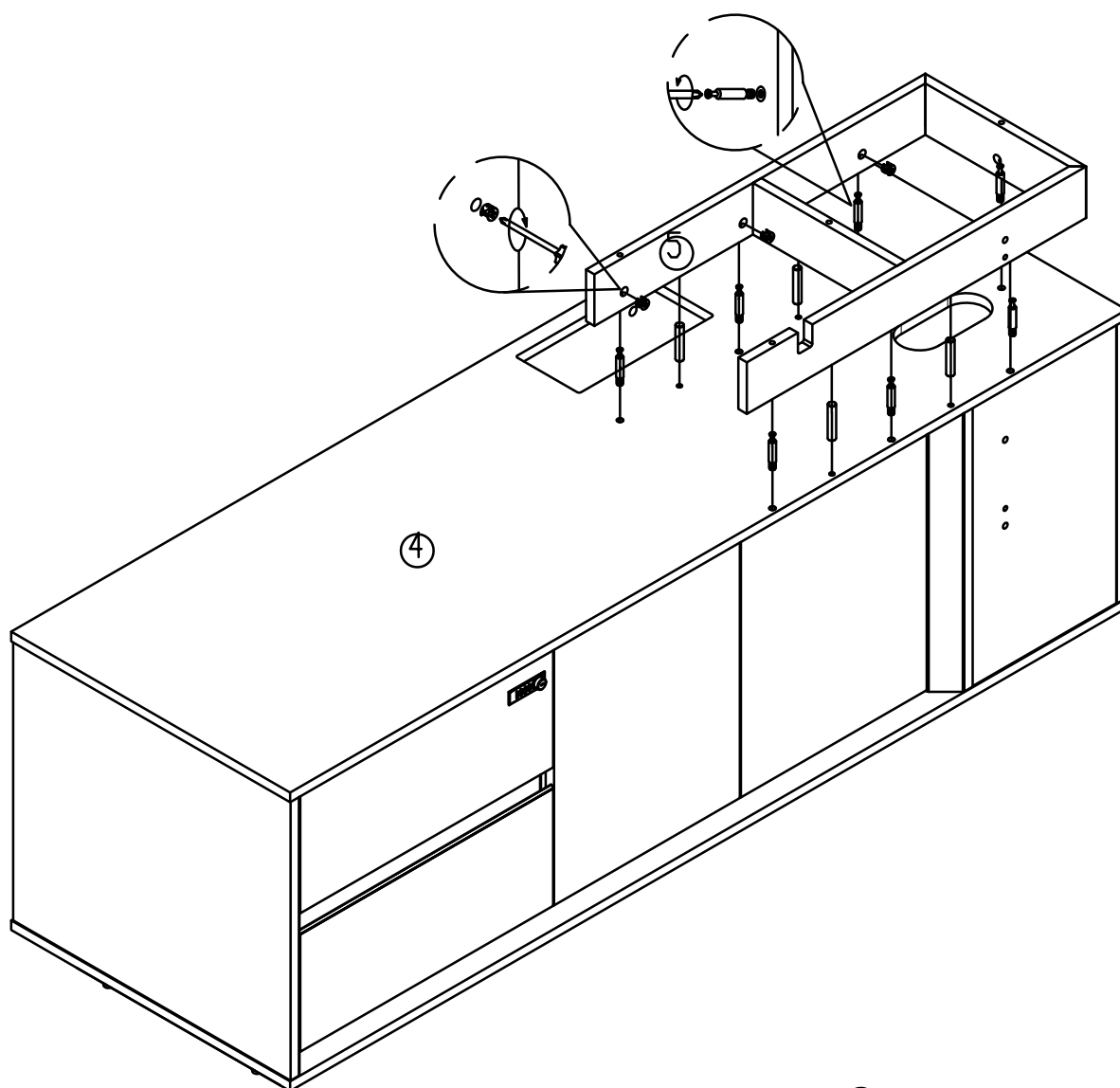
-   $\Phi 15 \times 45$   
(x10)
-   $\Phi 8 \times 40$   
(x4)

---

Install cable box supporter.

---

3



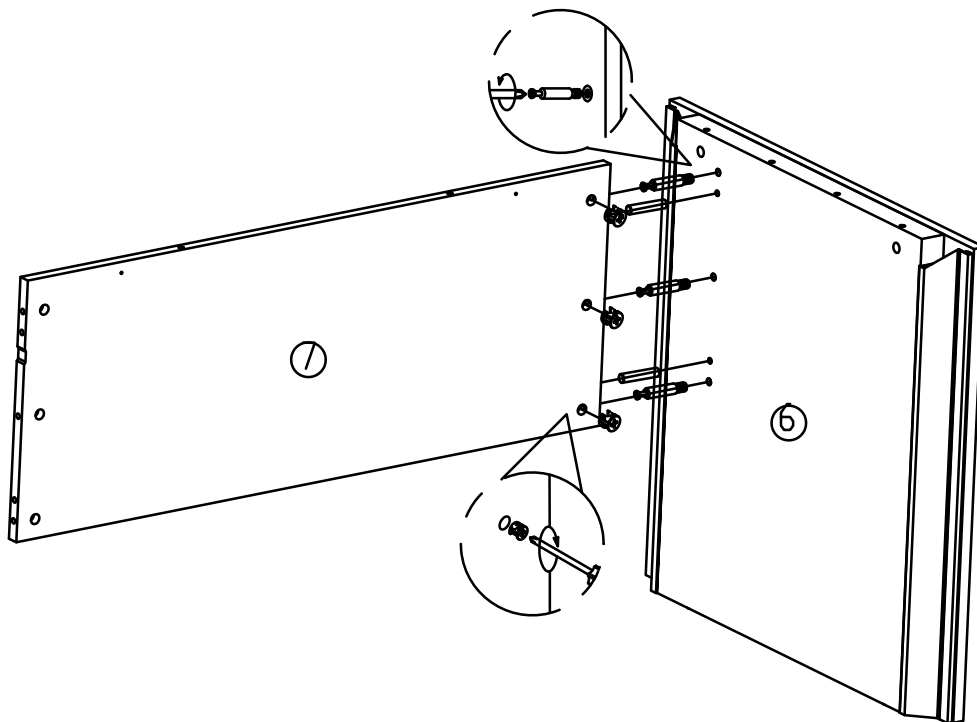
- $\Phi 15 \times 45$   
(x7)
- $\Phi 8 \times 40$   
(x4)



---

Install the modesty panel.

---

4



-   $\Phi 15*45$   
(x3)
-   $\Phi 8*40$   
(x2)

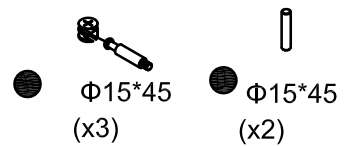
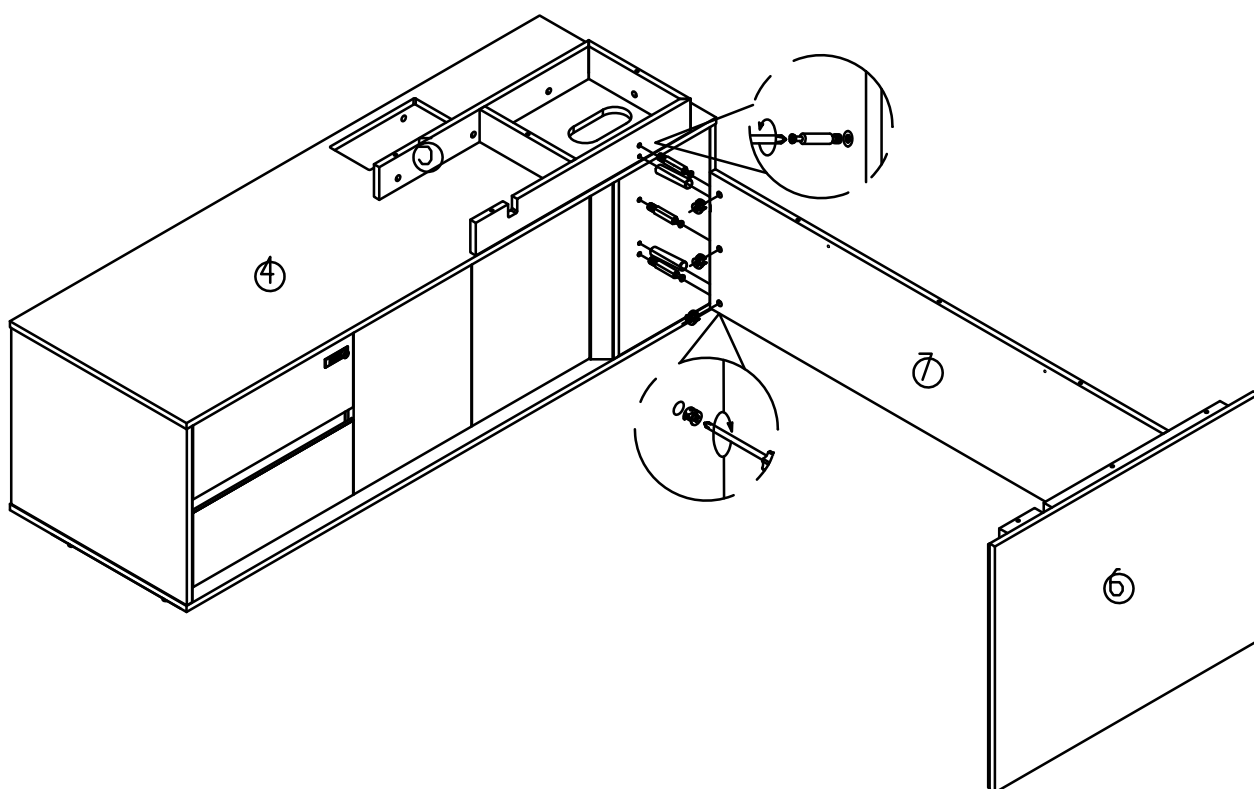


---

Install modesty panel.

---

5

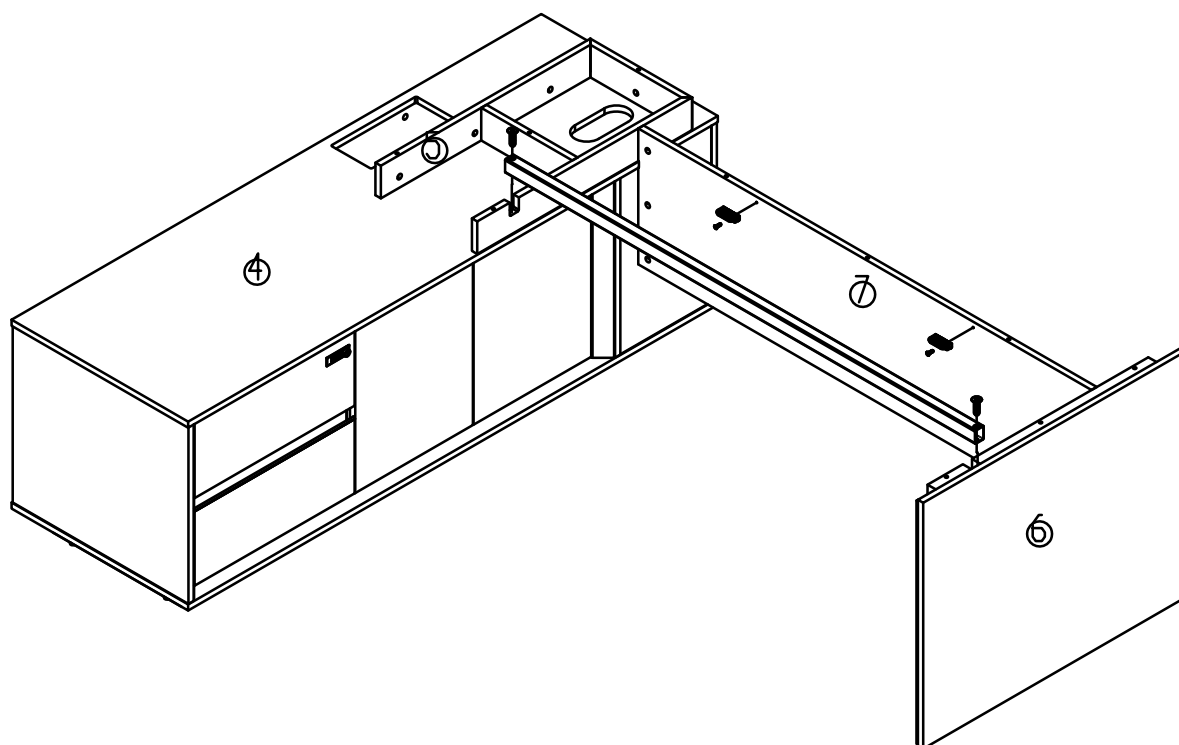



---


Install pull rod.

---

6



  
● 55\*30\*25  
(x4)

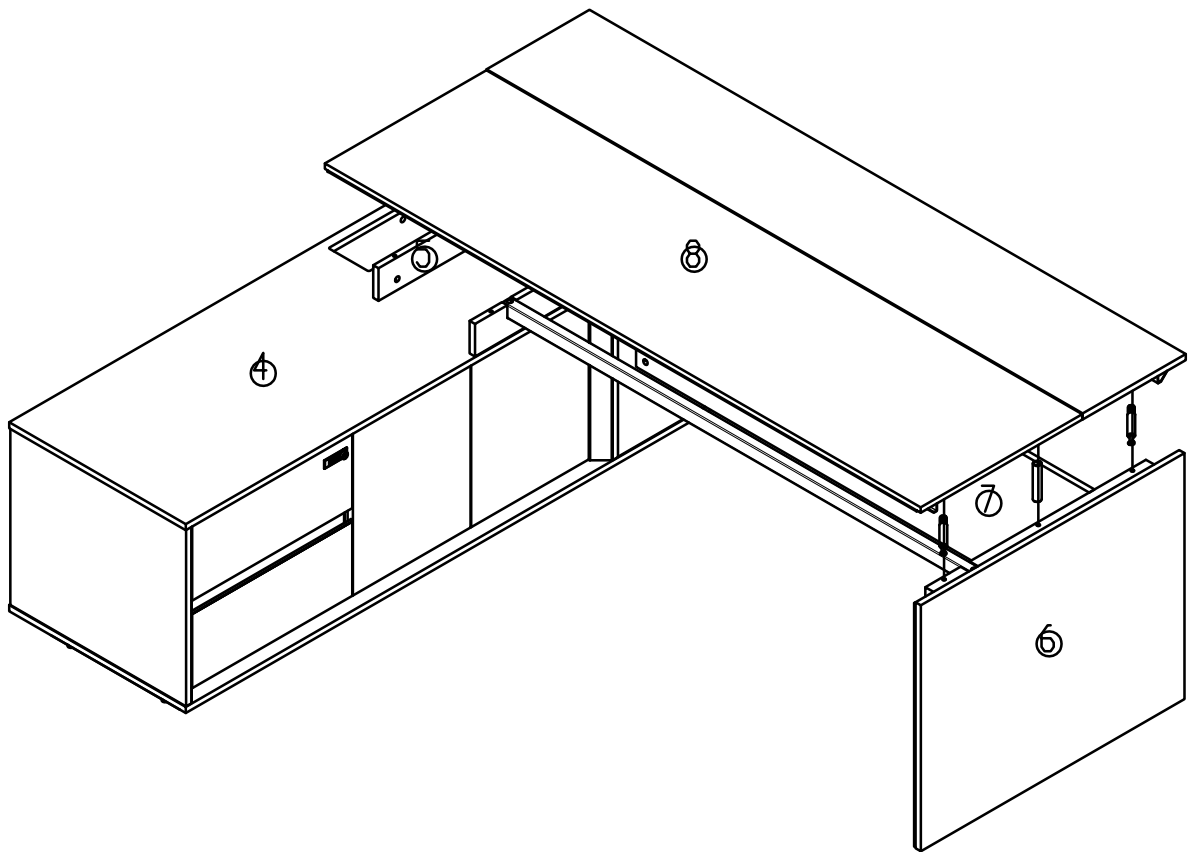
  
● ST5\*16  
(x4)



---

Install the tabletop.

---

7

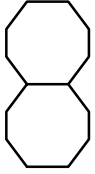


-   $\Phi 15 \times 45$   
(x2)
-   $\Phi 15 \times 45$   
(x6)

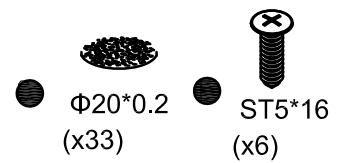
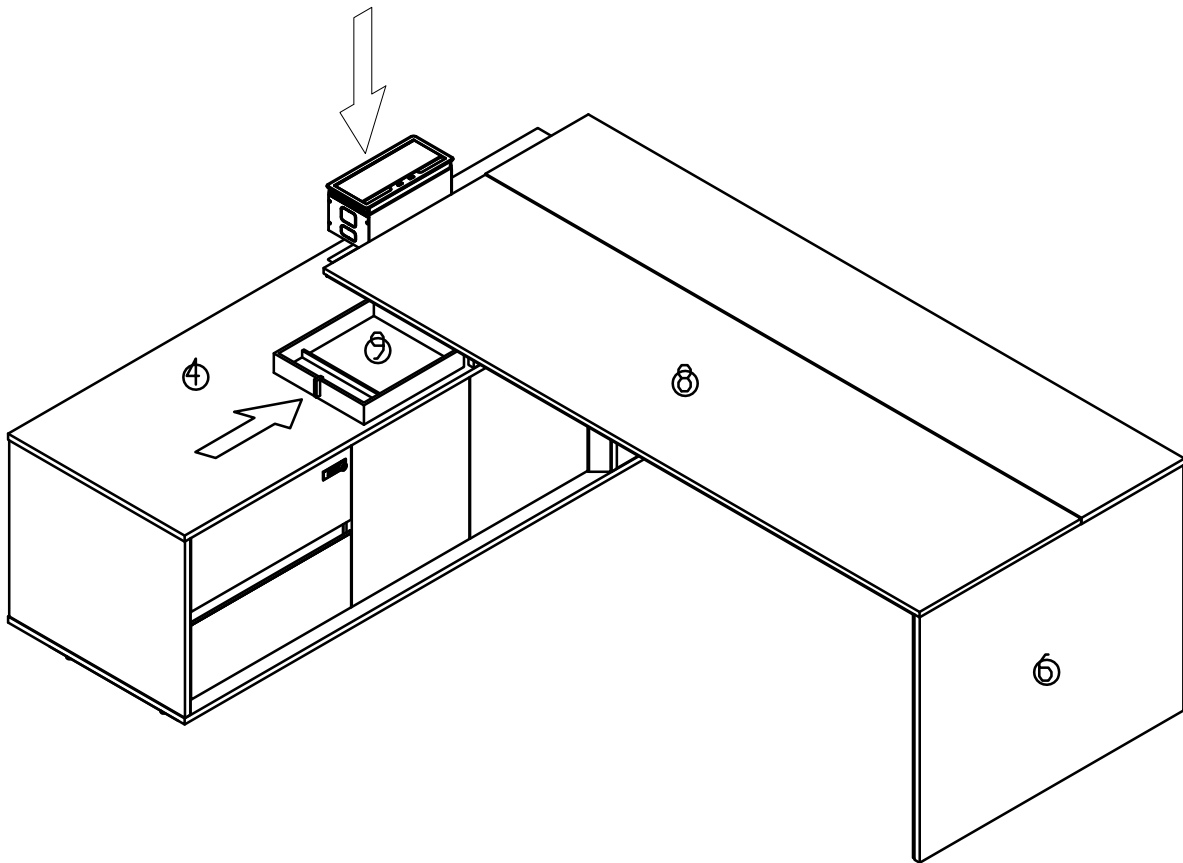
---

Paste ring stickers.

---



Fix the corner braces with tabletop and paste ring stickers.



Done!

