

MOBEL DESK DRAWERS

Assembly Instructions

Thank you for your purchase

Please follow the instructions for correct assembly



Hardware Supplied

Below parts may vary:



A-Camlock x12



B-Dowel x9



C- Grommet x2

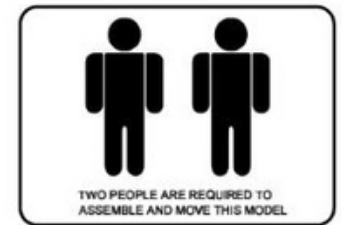
IMPORTANT:

FUNCTION OF KLIX CAM



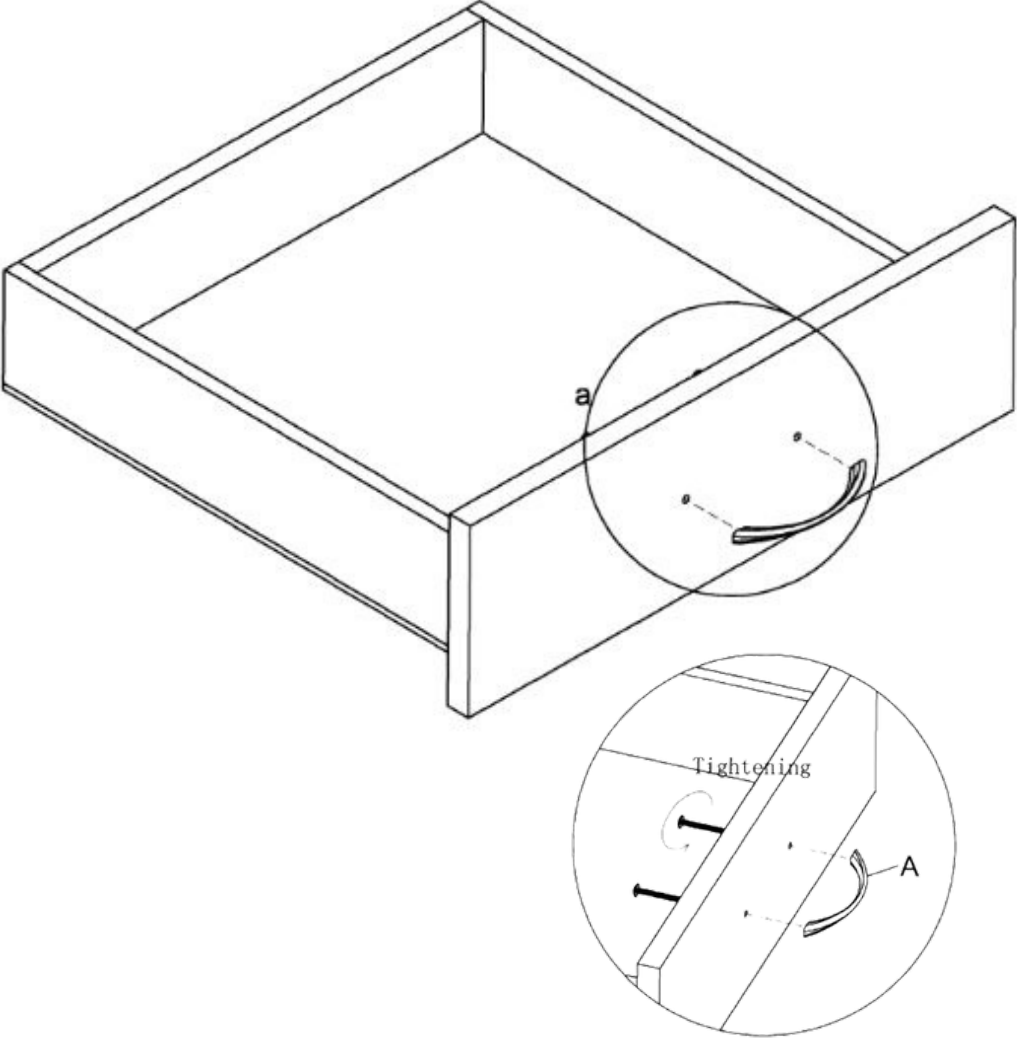
1/4 RIGHT
TURN FOR
LOCKING

MAKE SURE THE ARROW IS
POINTING UPWARDS
BEFORE INSERTING INTO
THE PANEL HOLE.

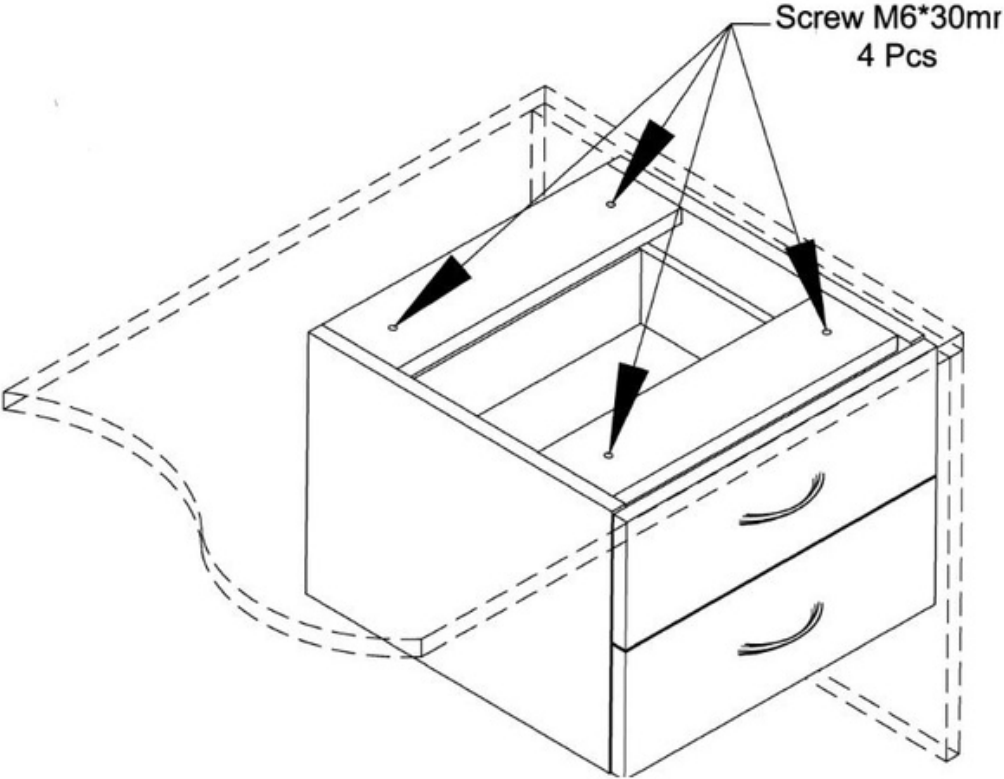


You will need a phillips screwdriver to assemble this unit

Step 1



Step 2



Step 3

