

GRAVITATE FLIP TABLE

Assembly Instructions

Thank you for your purchase

Please follow the instructions for correct assembly



Hardware Supplied

Below parts may vary:



A- M10*60 x4



B- M8*50 x4



C- M8*80 x4



D- Screws x16



E- Feet x4



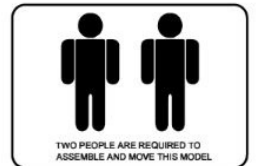
F- Cap x2



M8 Allen Key

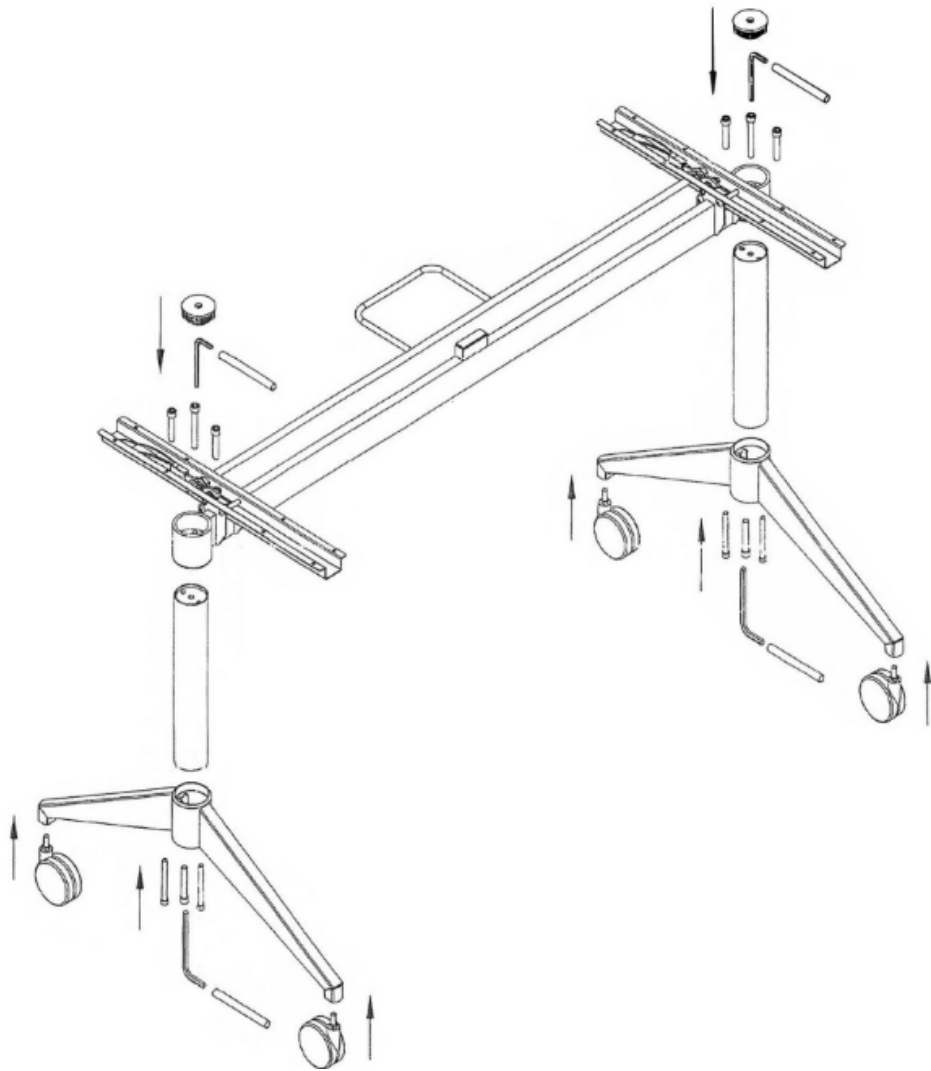


M10 Allen Key



NOTE: Please use the Allen key provided to assemble this unit, as using a drill tightens the frame too tightly causing the frame to twist. Loosen bolts if frame is uneven

Step 1



Step 2

