

Ergoplan Workstation

(1700LH x 1200RH)

Assembly Instructions

Tools Required: Powered Screwdriver



Ergoplan Workstation (1700LH x 1200RH)

Assembly Instructions

Thank you for purchasing Knight product, please carefully read the assembly instructions prior to installment to gain a complete understanding of the product. It provides you with important information about the safety, use, installation and maintenance.

WARNING: FAILURE TO COMPLY WITH OR OBSERVE ALL ASSEMBLY, SAFETY AND OPERATION INSTRUCTIONS REGARDING THE USE OF THIS PRODUCT MAY RESULT IN SERIOUS BODILY INJURY.

SAFETY

- The product must be used in a safe manner. Inappropriate use may cause damage to the product and/or cause bodily harm to the user or persons nearby.
- Don't locate furniture in direct sunlight or near air-conditioning inlet or heating radiator.
- Don't put high-temperature or frozen objects on furniture.
- Safely carry product to location of assembly.
- Retain this operation manual and pass it on to any future owner.

SET UP AND INSTALLATION

- Assemble the product according to the assembly instructions.
- To prevent possible scratches or damage, assemble the product on a soft surface such as a blanket, carpet or packaging.
- Place the product a safe distance from window frames, radiators, furniture etc. so that persons cannot become trapped.

It is recommended that this product is assembled by 2 people.

Any questions contact Knight on 0800 143 143

Due to continuous improvement of our products, our assembly instructions may not be in complete accordance with the product and we apologise in advance.



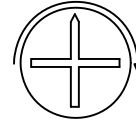
Ergoplan Workstation (1700LH x 1200RH)

Assembly Instructions

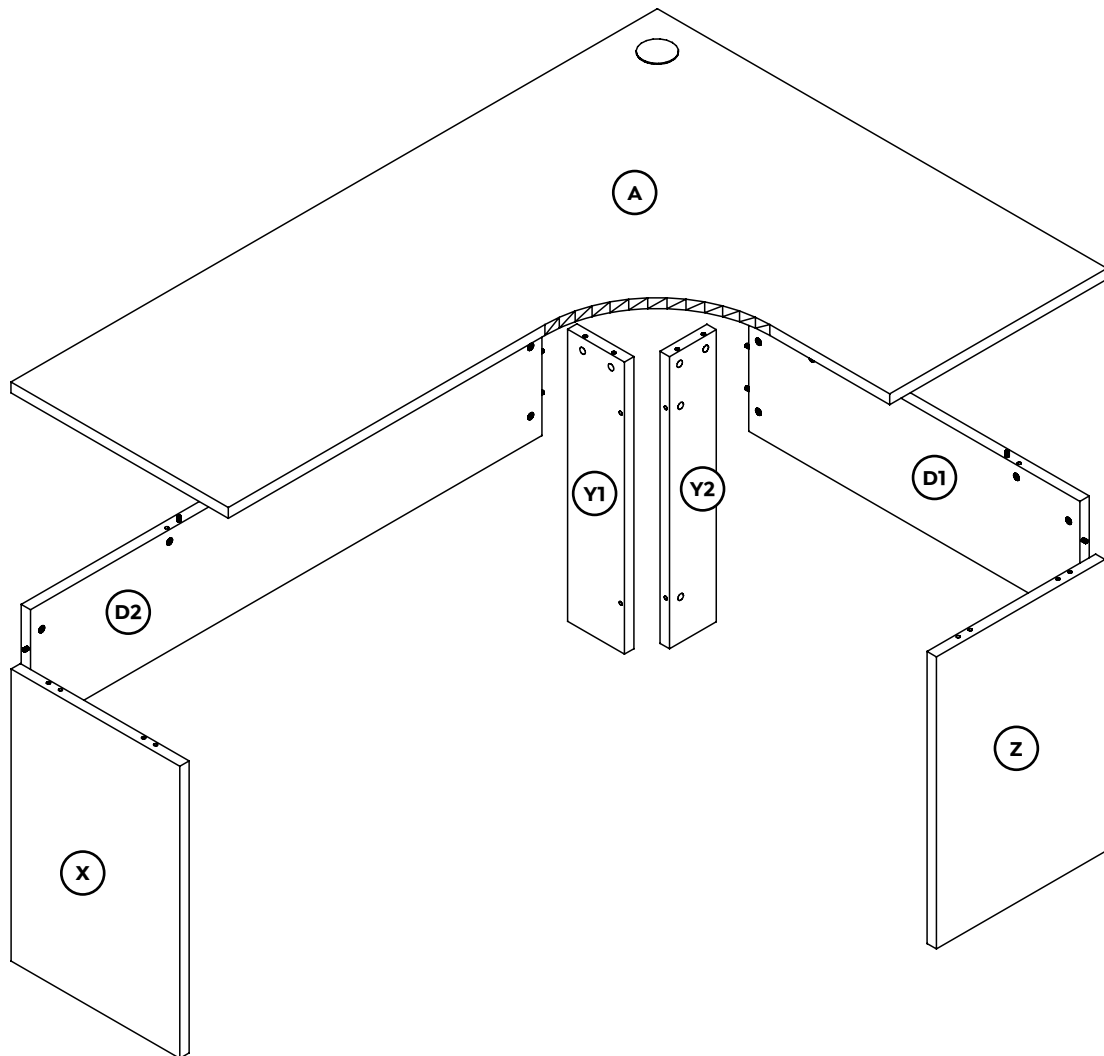
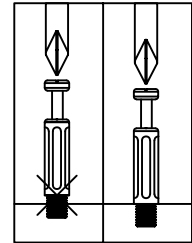
Parts

Item	Description	Quantity
A	Top Panel	1
X	Left Side Panel	1
Z	Right Side Panel	1
D1	Back Panel 1	1
D2	Back Panel 2	1
Y1	Corner Leg Panel 1	1
Y2	Corner Leg Panel 2	1

The turning direction of attaching



Incorrect Correct



Ergoplan Workstation (1700LH x 1200RH)

Assembly Instructions

Parts

Item	Description	Quantity
c1	6x35 Cam Bolt	20
d1	8x30 Dowel Pin	16
c2	Cam Sticker	20
b1	Bracket	8
s1	3.5x15 Screw	32
s8	6x60 Fix Bolt	2



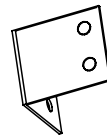
c1 6x35 Cam Bolt



d1 8x30 Dowel Pin



c2 Cam Sticker



b1 Bracket



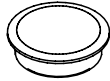
s1 3.5x15 Screw



s8 6x60 Fix Bolt



Cam
(pre-installed)

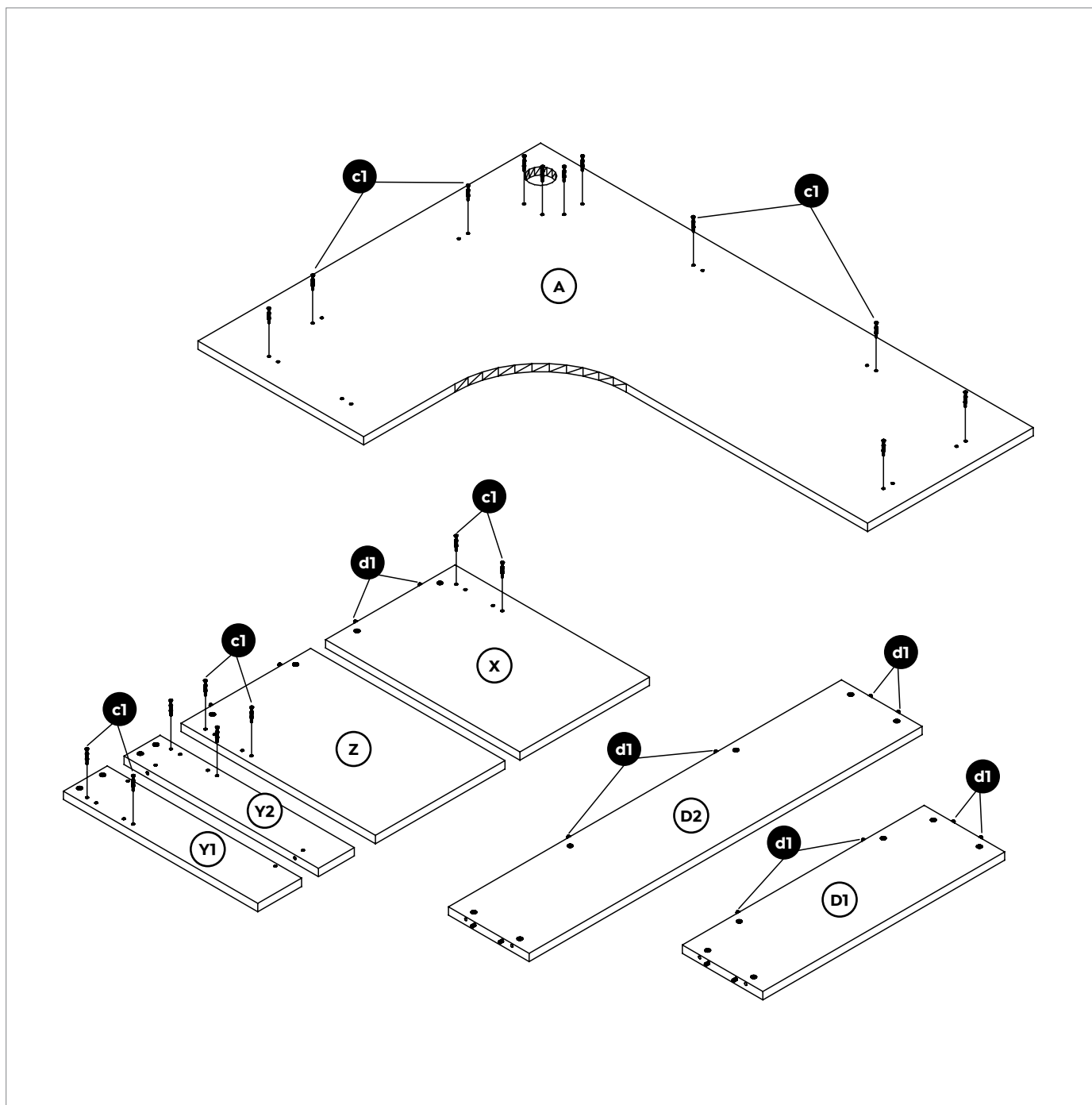


Cable Port
1500mm & 1800mm Only
(pre-installed)

Step 1

Preparation for top panel A, left side panel X, right side panel Z, back panel D1 and D2 and corner leg panel Y1 and Y2.

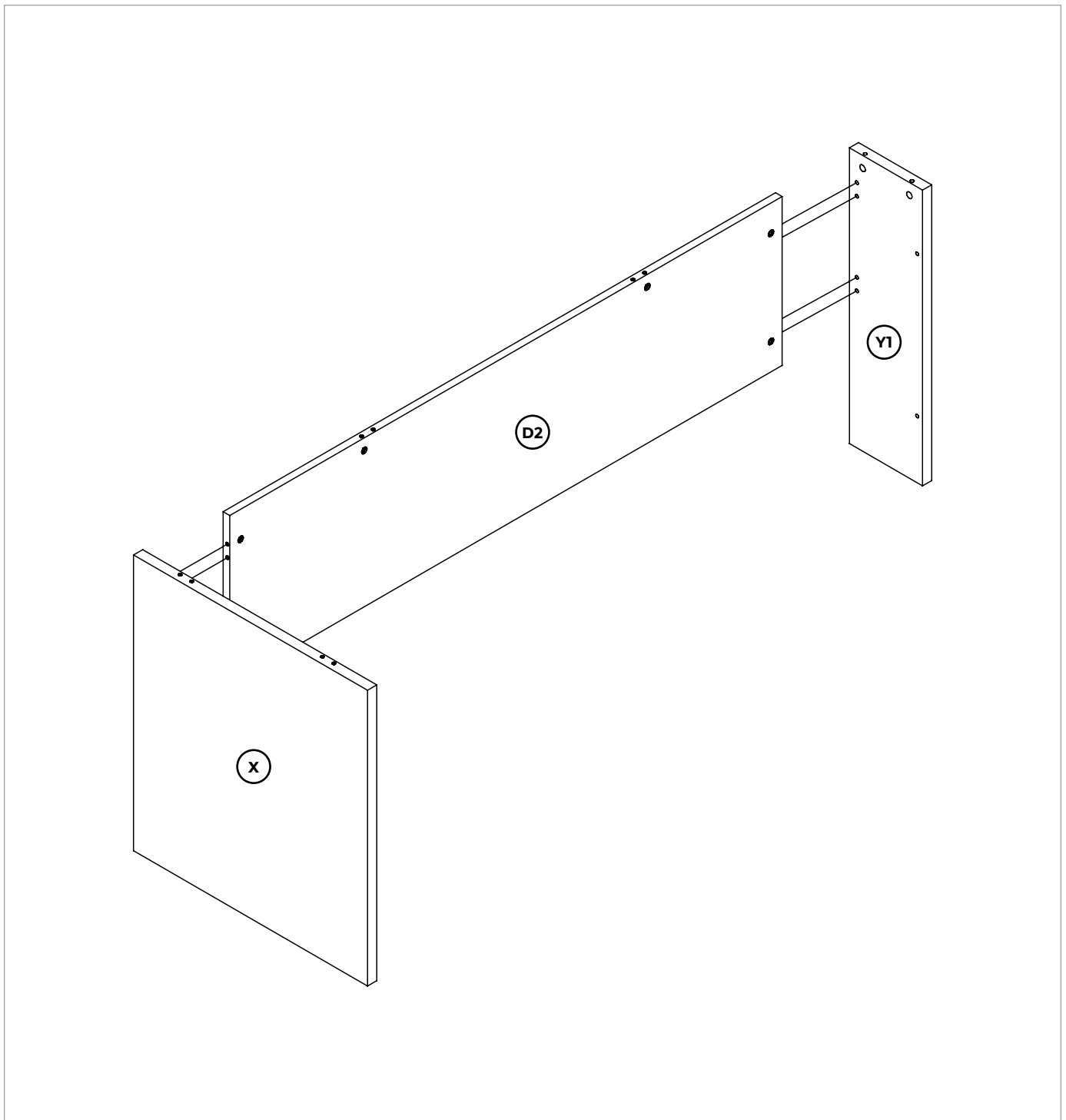
1. Insert dowel pins (d1) into panel D1 and D2.
2. Insert cam bolts (c1) and dowel pins (d1) into panels X and Z.
3. Insert cam bolts (c1) into panel A, Y1 and Y2.



Step 2

Left side panel X, corner leg panel Y1 and back panel D2 assembly.

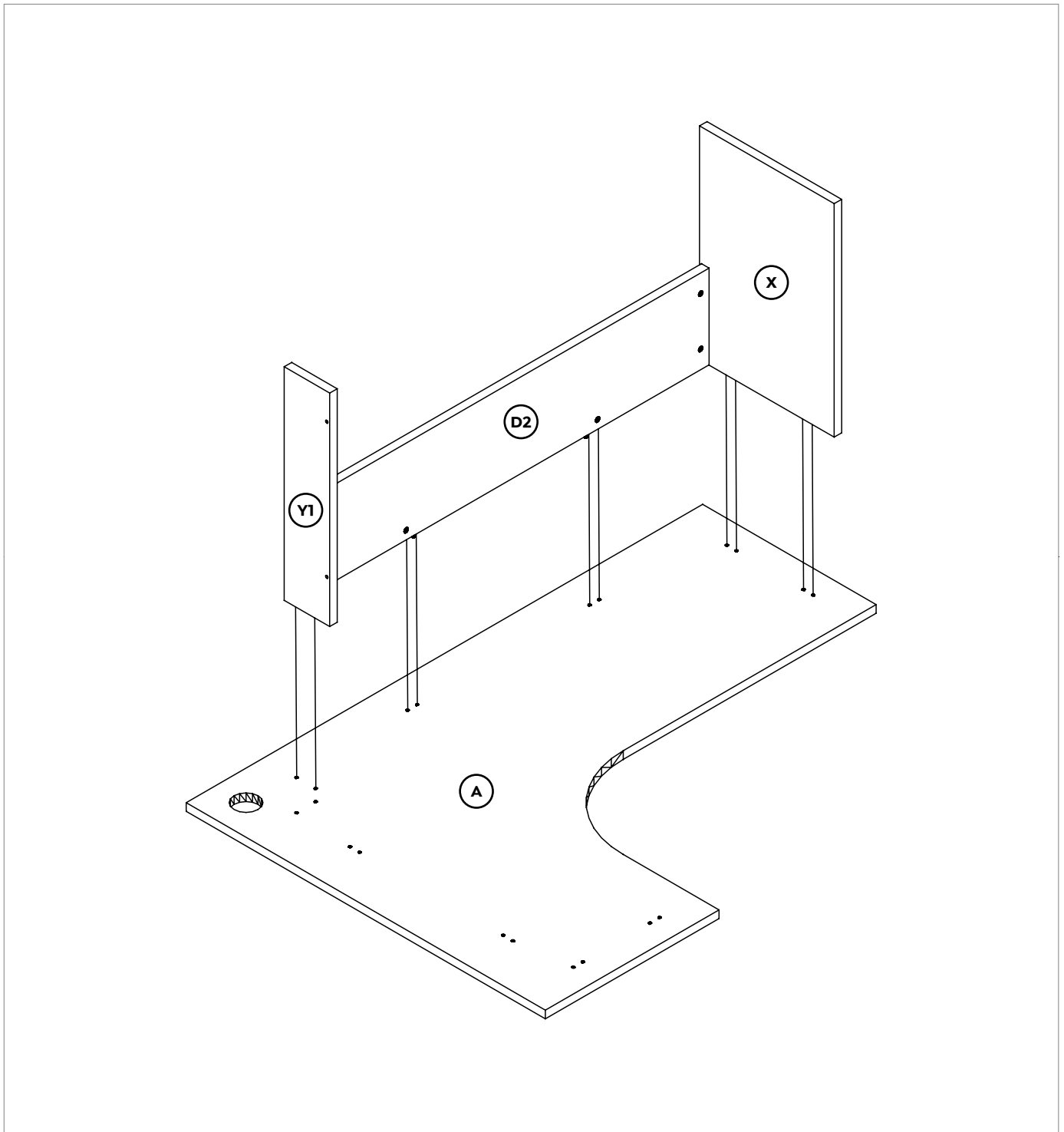
Insert cam bolts (c1) on panel X and Y1 into cams on panel D2 and tighten in a clockwise direction.



Step 3

Top panel A assembly to panel Y1, D2 and X.

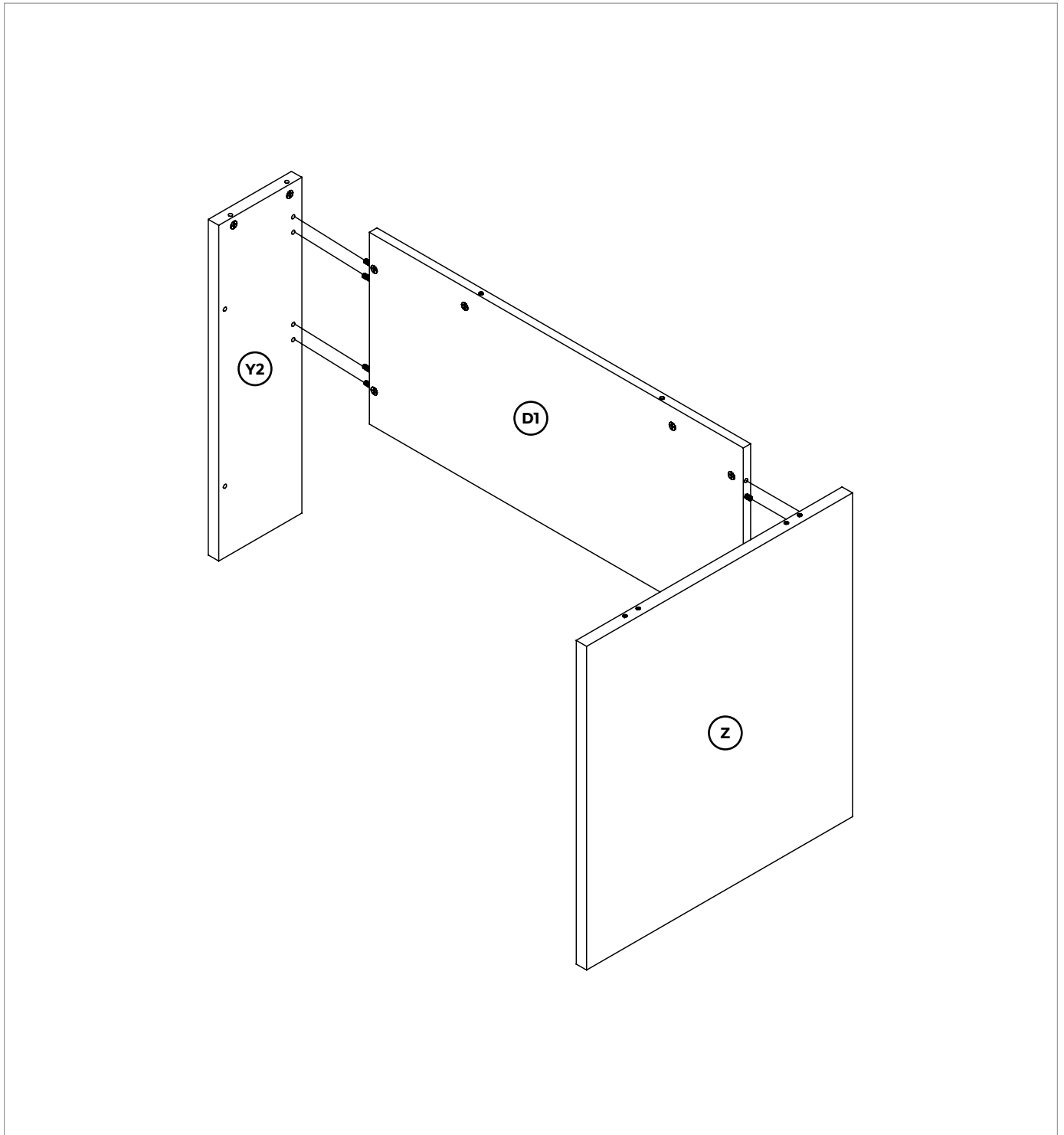
Insert cam bolts (c1) on panel A into cams on panels Y1, D2 and X and tighten in a clockwise direction.



Step 4

Right side panel Z, corner leg panel Y2 and back panel D1 assembly.

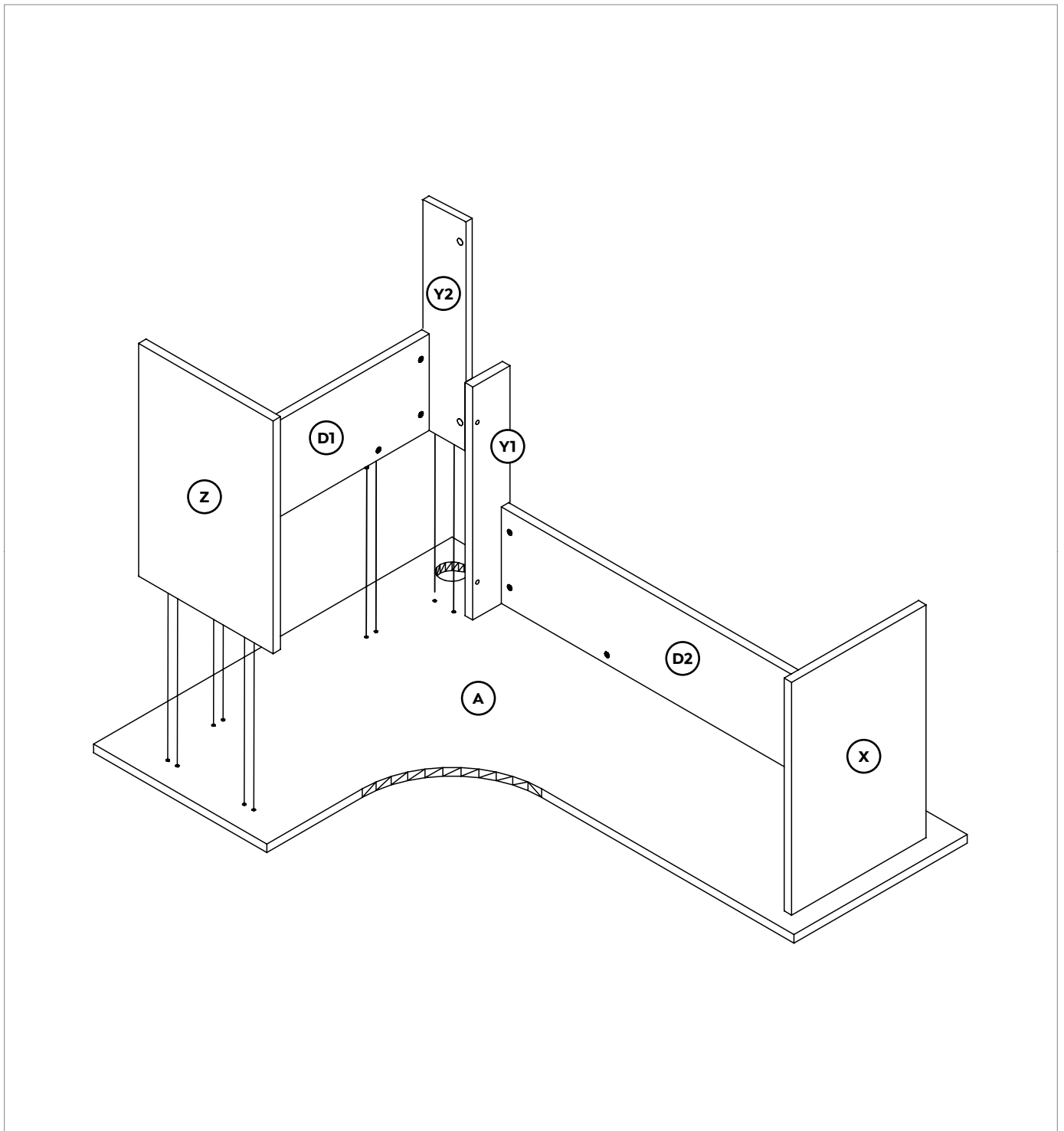
Insert cam bolts (c1) on panel Z and Y2 into cams on panel D1 and tighten in a clockwise direction.



Step 5

Top panel A assembly to panel Y2, D1 and Z.

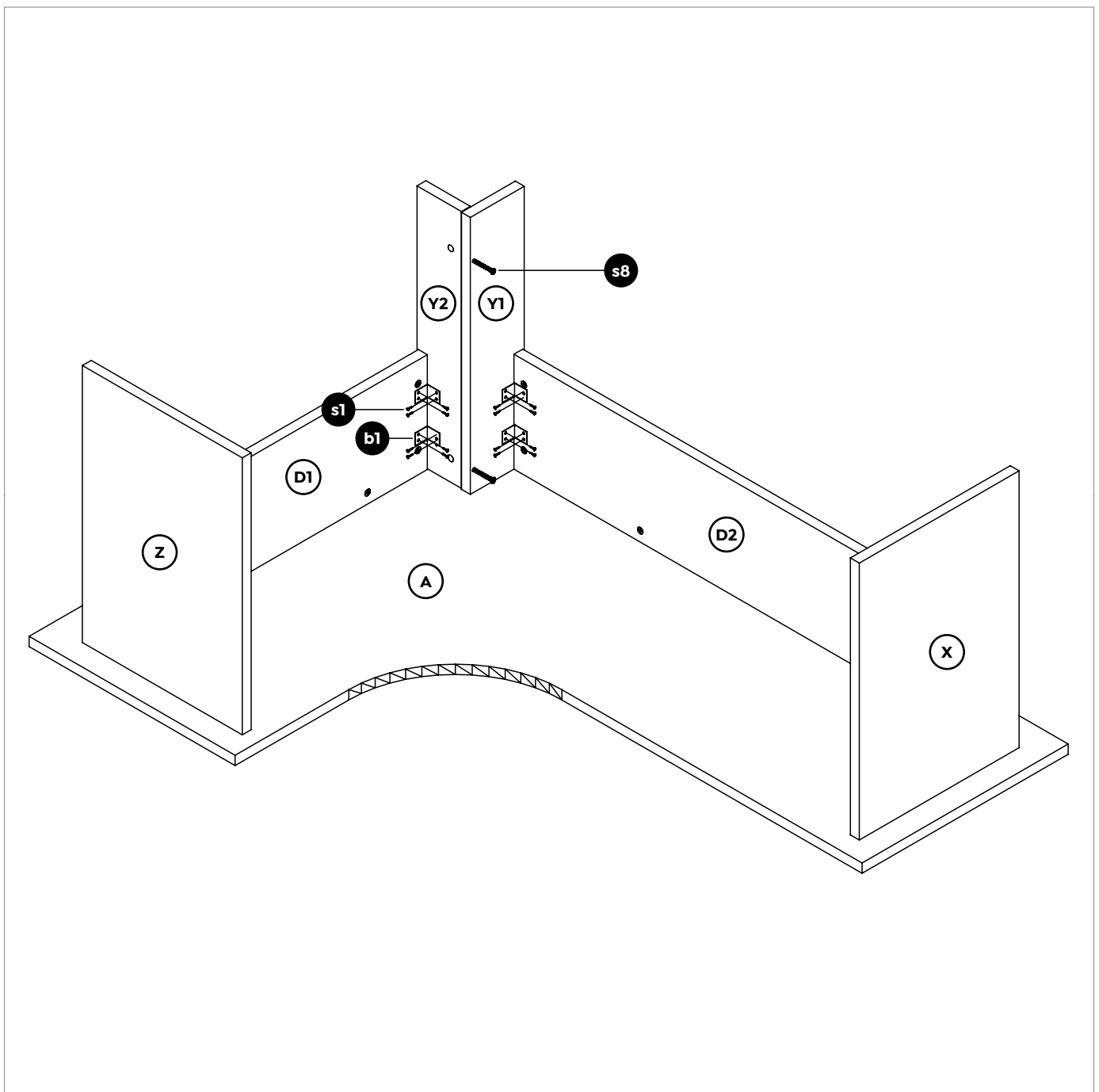
1. Insert cam bolts (c1) on panel A into cams on panels Y2, D1 and Z and tighten in a clockwise direction.
2. Cover top of cams with cam stickers (c2).



Step 6

Corner leg panel Y2, corner leg panel Y1, and modesty D1 and D2 assembly.

1. Secure panel Y1 to panel Y2 with screws (s8).
2. Secure panel Y2 and Z to panel D1 with bracket (b1) with screws (s1).
3. Secure panel Y1 and X to panel D2 with bracket (b1) with screws (s1).
4. Turn workstation over to upright position.



Complete

