

# Ergoplan Cupboard 900H

## Assembly Instructions

**Tools Required:** Powered Screwdriver



# Ergoplan Cupboard 900H

## Assembly Instructions

---

Thank you for purchasing Knight product, please carefully read the assembly instructions prior to installment to gain a complete understanding of the product. It provides you with important information about the safety, use, installation and maintenance.

**WARNING: FAILURE TO COMPLY WITH OR OBSERVE ALL ASSEMBLY, SAFETY AND OPERATION INSTRUCTIONS REGARDING THE USE OF THIS PRODUCT MAY RESULT IN SERIOUS BODILY INJURY.**

### SAFETY

- The product must be used in a safe manner. Inappropriate use may cause damage to the product and/or cause bodily harm to the user or persons nearby.
- Don't locate furniture in direct sunlight or near air-conditioning inlet or heating radiator.
- Don't put high-temperature or frozen objects on furniture.
- Safely carry product to location of assembly.
- Retain this operation manual and pass it on to any future owner.

### SET UP AND INSTALLATION

- Assemble the product according to the assembly instructions.
- To prevent possible scratches or damage, assemble the product on a soft surface such as a blanket, carpet or packaging.
- Place the product a safe distance from window frames, radiators, furniture etc. so that persons cannot become trapped.

It is recommended that this product is assembled by 2 people.

**Any questions contact Knight on 0800 143 143**

Due to continuous improvement of our products, our assembly instructions may not be in complete accordance with the product and we apologise in advance.



# Ergoplan Cupboard 900H

## Assembly Instructions

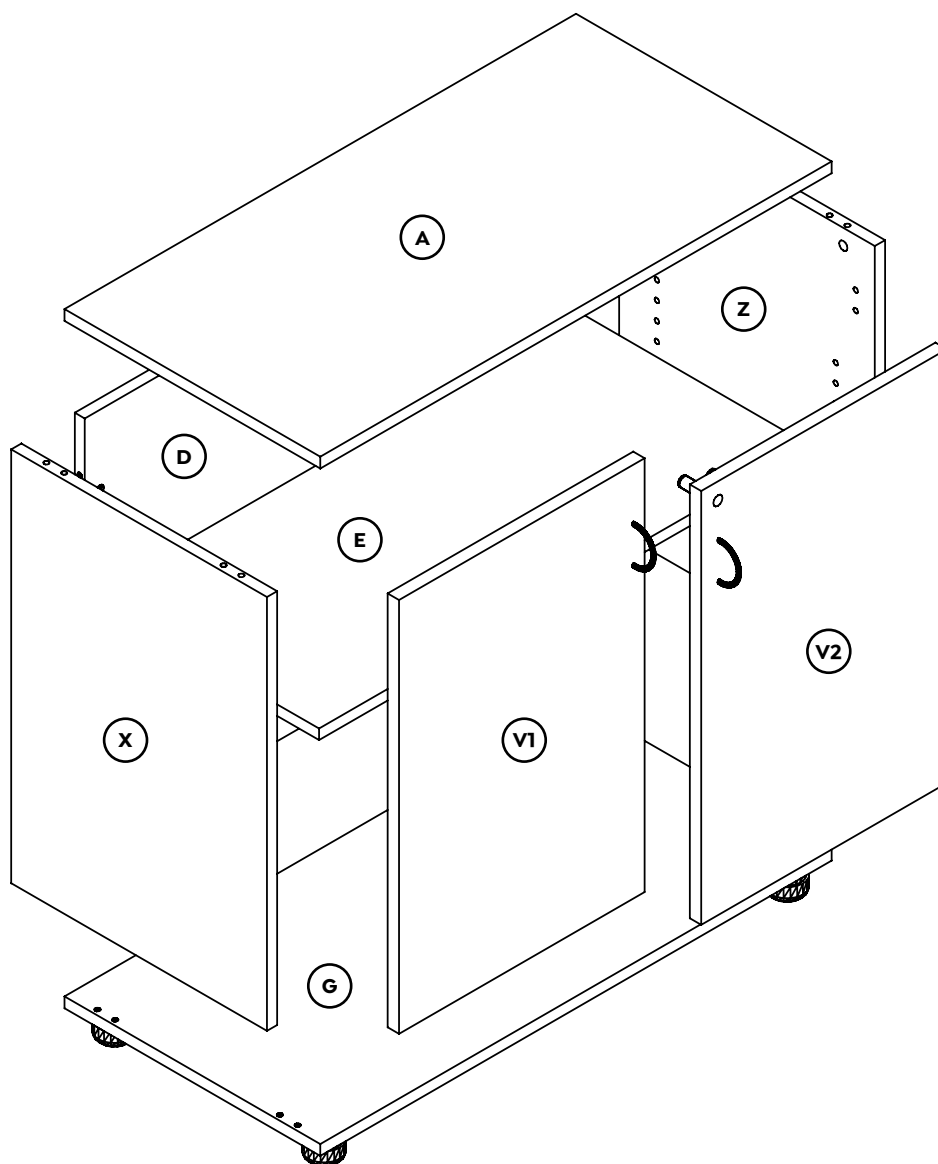
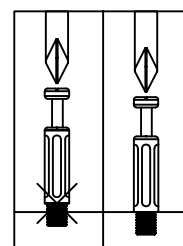
### Parts

Item	Description	Quantity
A	Top Panel	1
X	Left Side Panel	1
Z	Right Side Panel	1
D	Back Panel	1
G	Bottom Panel	1
E	Movable Shelf	1
V1	Door Panel	1
V2	Door Panel	1

The turning direction  
of attaching



Incorrect Correct



# Ergoplan Cupboard 900H

## Assembly Instructions

### Parts

Item	Description	Quantity
<b>c1</b>	6x35 Cam Bolt	18
<b>d1</b>	8x30 Dowel Pin	16
<b>c2</b>	Cam Sticker	18
<b>h3</b>	Handle	2
<b>p1</b>	Shelf Pin	4
<b>s1</b>	4x16 Screw	22
<b>s7</b>	4x22 Fix Bolt	4
<b>g2</b>	Hinge Body	4
<b>k4</b>	Lock	1
<b>k1</b>	Lock Catch	1
<b>k5</b>	Lock Catch	1
<b>c6</b>	Foot	4
<b>s2</b>	3.5x35 Screw	4



**c1** 6x35 Cam Bolt



**d1** 8x30 Dowel Pin



**c2** Cam Sticker



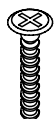
**h3** Handle



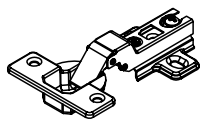
**p1** Shelf Pin



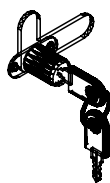
**s1** 4x16 Screw



**s7** 4x22 Fix Bolt



**g2** Hinge Body



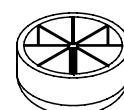
**k4** Lock



**k1** Lock Catch



**k5** Lock Catch



**c6** Foot



**s2** 3.5x35 Screw

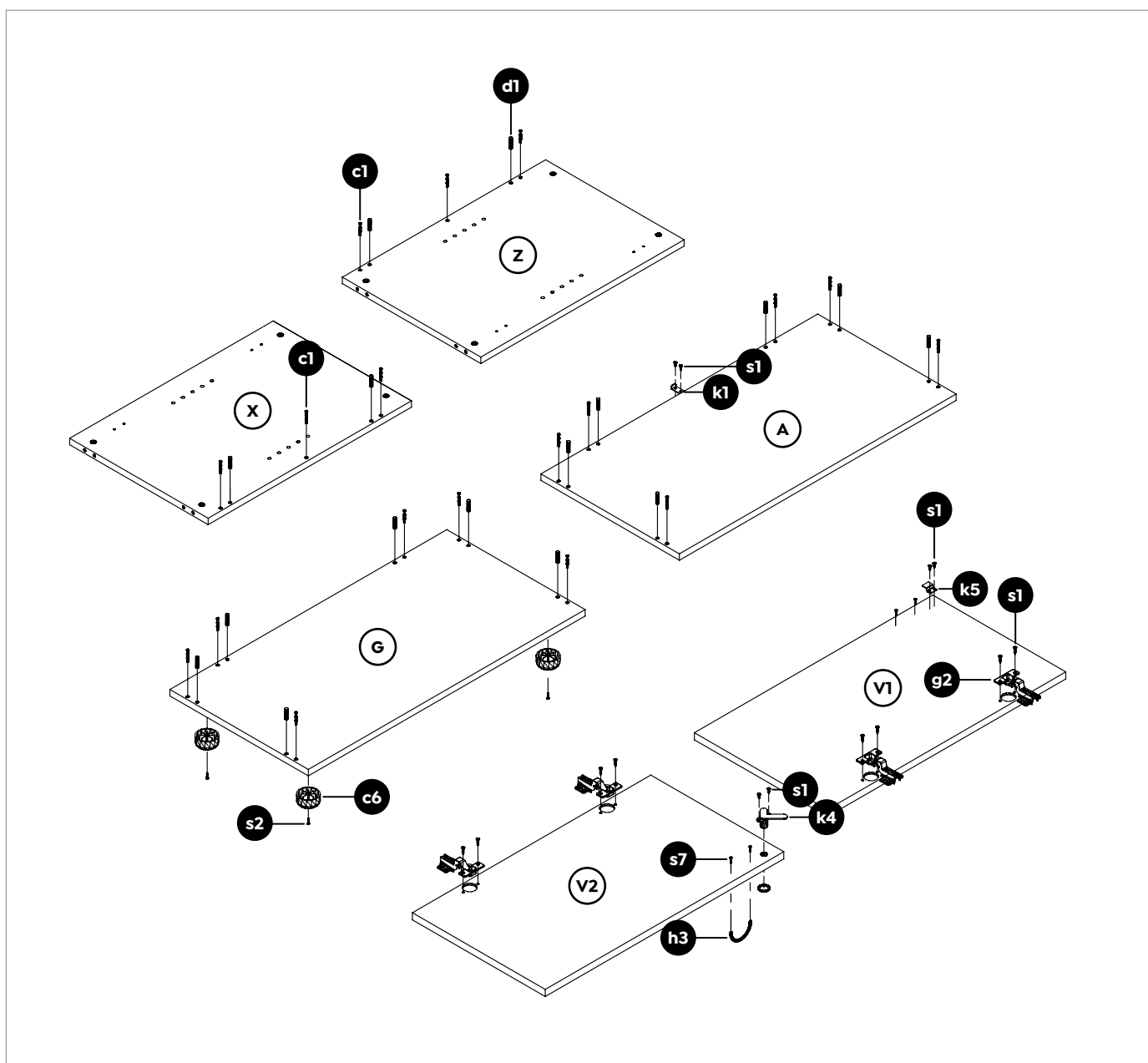


Cam  
**(pre-installed)**

### Step 1

#### Preparation for top panel A, bottom panel G, left side panel X, right side panel Z, door panel V1 and V2.

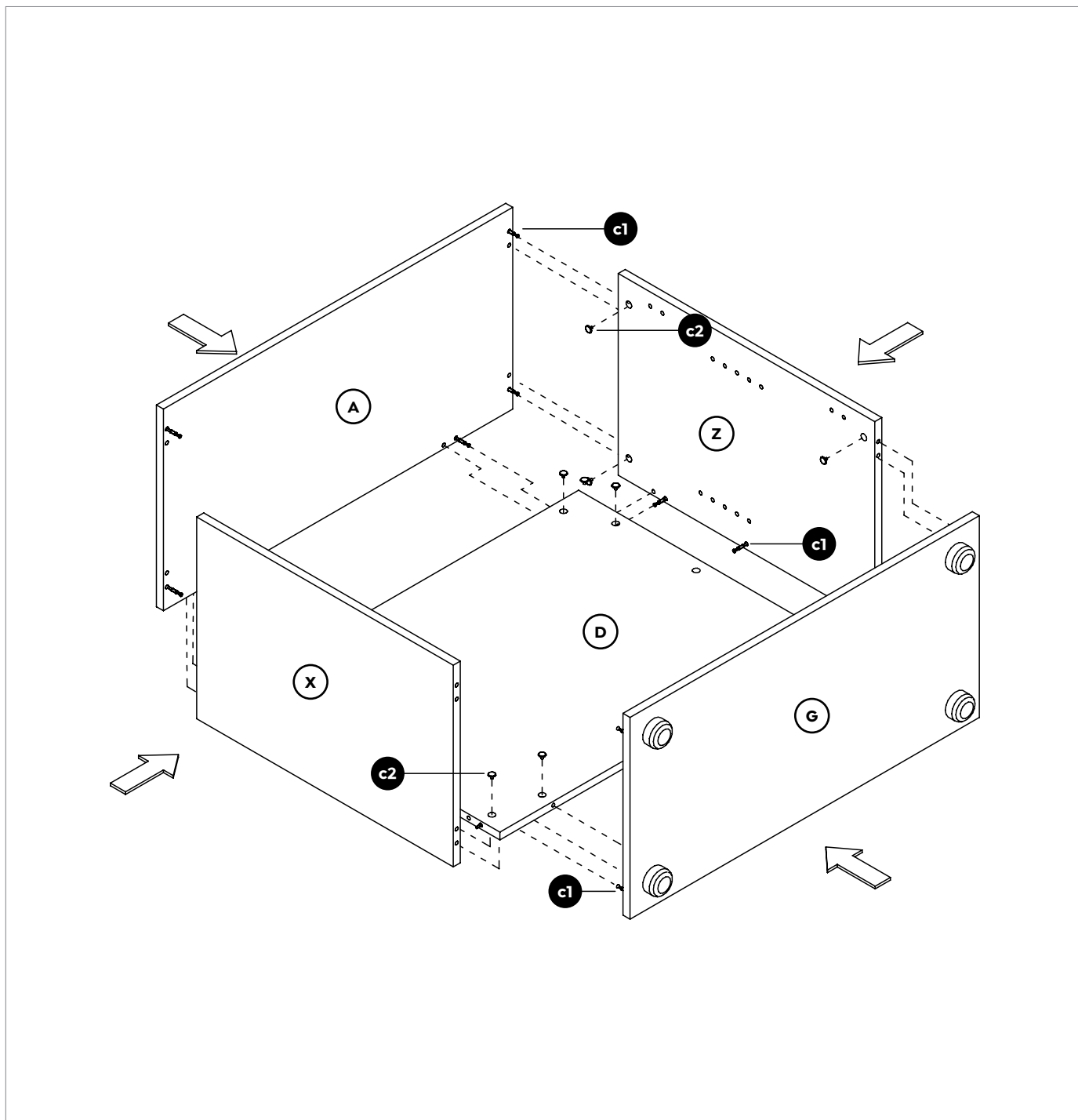
1. Insert cams bolts (c1) and dowel pins (d1) into panels A, G, X and Z.
2. Fix the lock catch (k1) to panel A with screws (s1).
3. Fix hinge bodies (g2) to panels V1 and V2 with screws (s1).
4. Assemble handles (h3) to panels V1 and V2 with fix bolts (s7).
5. Fix the lock catch (k5) to panel V1 with screws (s1).
6. Fix the lock (k4) to panel V2 with screws (s1).
7. Assemble feet (c6) to panel G with screws (s2).



### Step 2

#### Top panel A, bottom panel G, back panel D, side panel X and Z assembly.

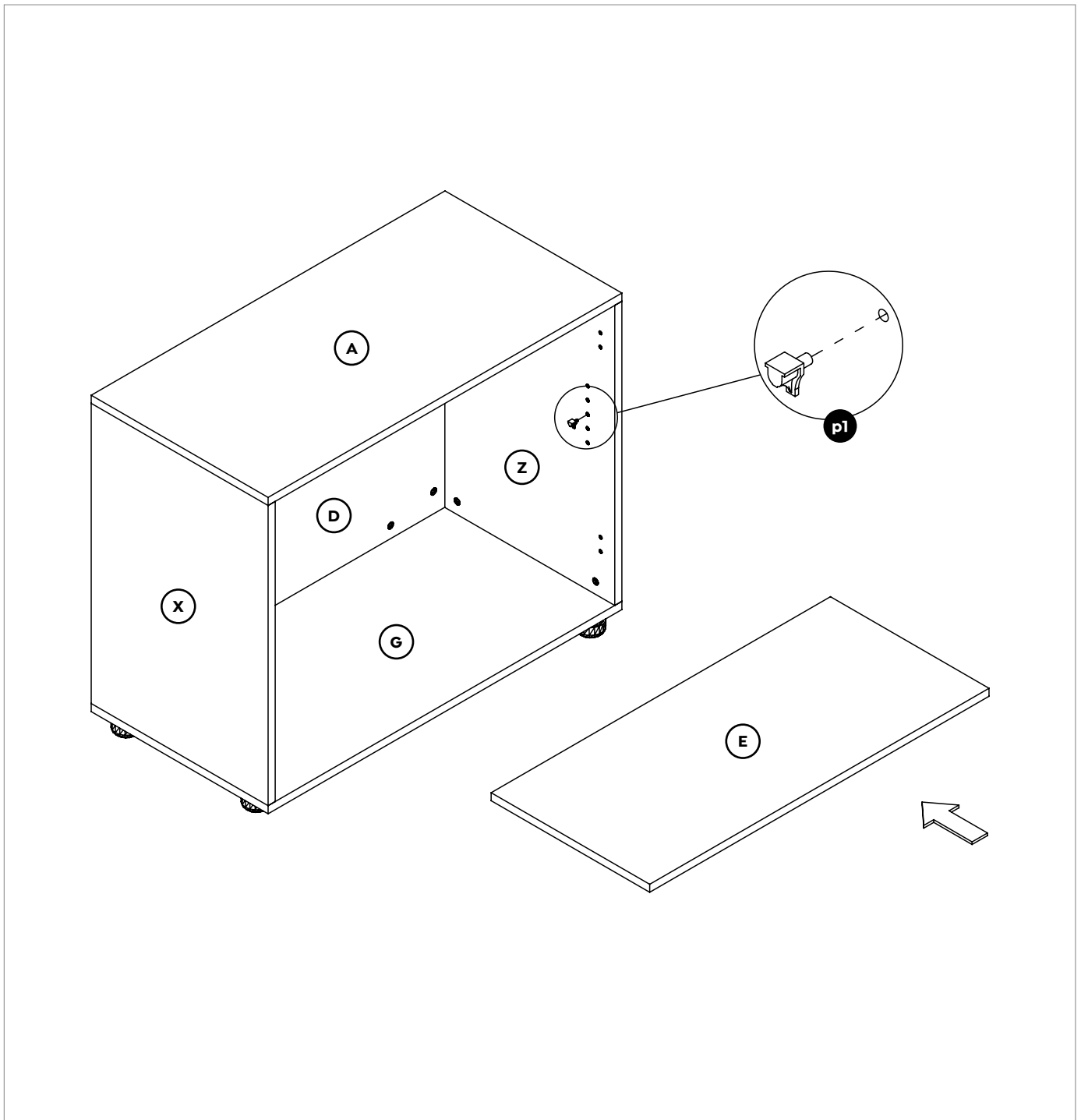
1. Insert cam bolts (c1) on panel Z and X into cams on panel D and tighten in a clockwise direction.
2. Insert cam bolts (c1) on panel A and G into cams on panel X, D & Z and tighten in a clockwise direction.
3. Cover top of cams with cam stickers (c2).



## Step 3

### Movable shelf E assembly.

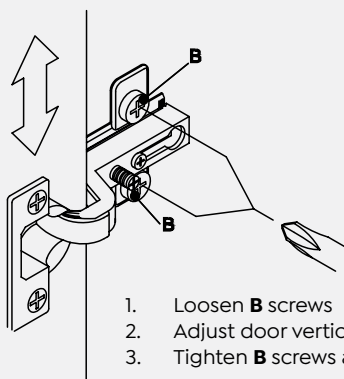
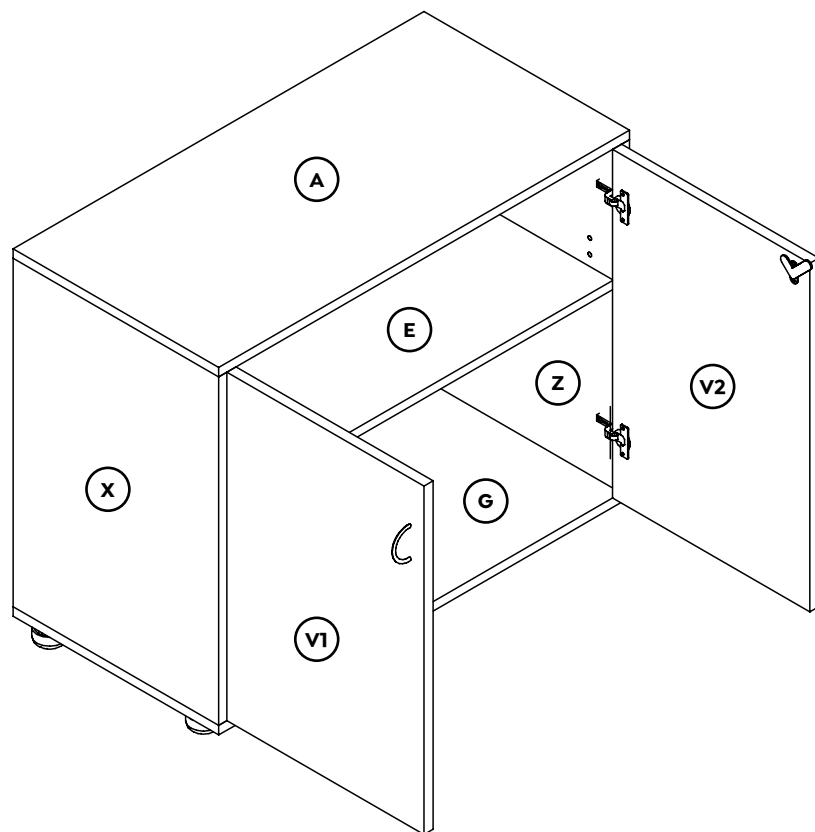
1. Insert shelf pins (p1) into panels X and Z at desired shelf height.
2. Place movable shelf E on top of the shelf pins (p1).



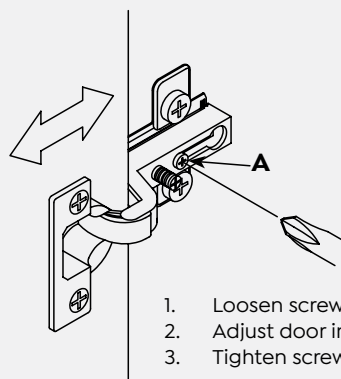
### Step 4

#### Door panel V1 and door panel V2 assembly.

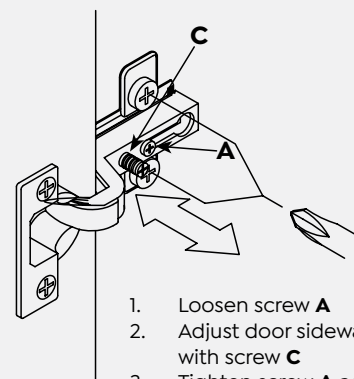
1. Fix hinge bodies (g2) on door V1 to the inner of panel X with screws (s1).
2. Fix hinge bodies (g2) on door V2 to the inner of panel Z with screws (s1).
3. Follow diagram below to adjust the vertical, depth and sideways movement of the doors.



1. Loosen **B** screws
2. Adjust door vertical
3. Tighten **B** screws again



1. Loosen screw **A**
2. Adjust door in depth
3. Tighten screw **A** again



1. Loosen screw **A**
2. Adjust door sideways with screw **C**
3. Tighten screw **A** again



## Complete

---

