

Ergoplan Cupboard 1800H

Assembly Instructions

Tools Required: Powered Screwdriver



Ergoplan Cupboard 1800H

Assembly Instructions

Thank you for purchasing Knight product, please carefully read the assembly instructions prior to installment to gain a complete understanding of the product. It provides you with important information about the safety, use, installation and maintenance.

WARNING: FAILURE TO COMPLY WITH OR OBSERVE ALL ASSEMBLY, SAFETY AND OPERATION INSTRUCTIONS REGARDING THE USE OF THIS PRODUCT MAY RESULT IN SERIOUS BODILY INJURY.

SAFETY

- The product must be used in a safe manner. Inappropriate use may cause damage to the product and/or cause bodily harm to the user or persons nearby.
- Don't locate furniture in direct sunlight or near air-conditioning inlet or heating radiator.
- Don't put high-temperature or frozen objects on furniture.
- Safely carry product to location of assembly.
- Retain this operation manual and pass it on to any future owner.

SET UP AND INSTALLATION

- Assemble the product according to the assembly instructions.
- To prevent possible scratches or damage, assemble the product on a soft surface such as a blanket, carpet or packaging.
- Place the product a safe distance from window frames, radiators, furniture etc. so that persons cannot become trapped.

It is recommended that this product is assembled by 2 people.

Any questions contact Knight on 0800 143 143

Due to continuous improvement of our products, our assembly instructions may not be in complete accordance with the product and we apologise in advance.



Ergoplan Cupboard 1800H

Assembly Instructions

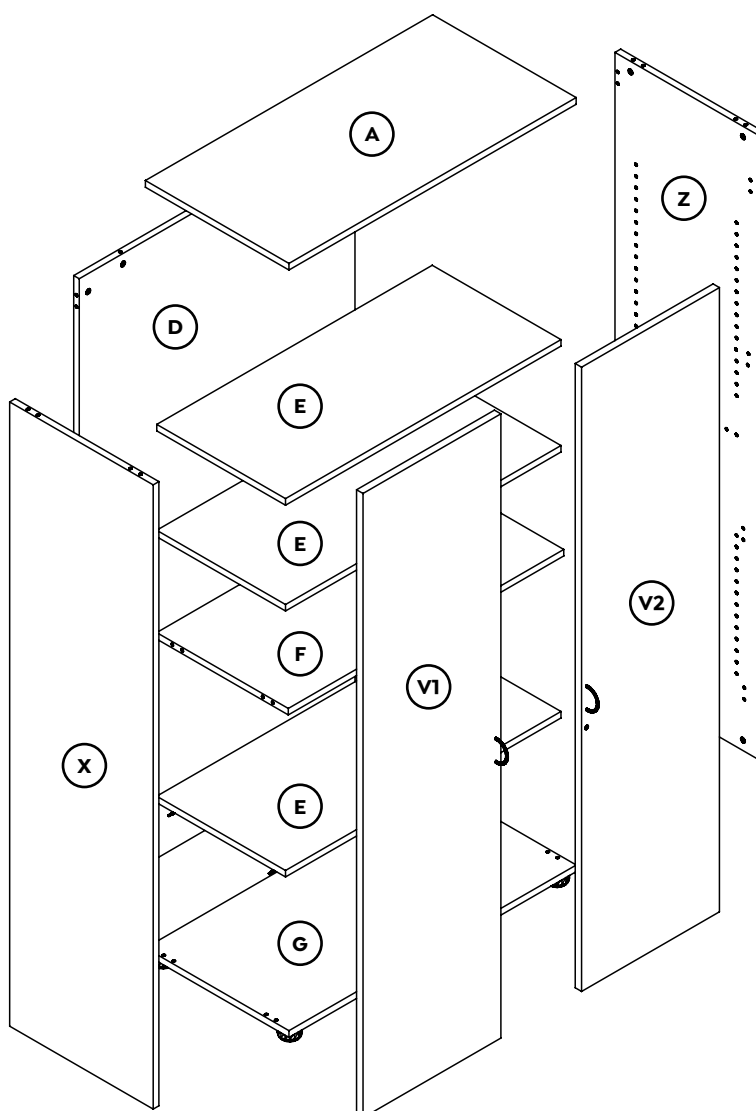
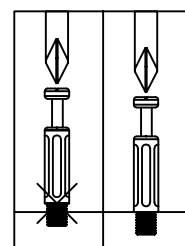
Parts

Item	Description	Quantity
A	Top Panel	1
X	Left Side Panel	1
Z	Right Side Panel	1
D	Back Panel	1
G	Bottom Panel	1
F	Immovable Panel	1
E	Movable Shelf	3
V1	Door Panel	1
V2	Door Panel	1

The turning direction
of attaching



Incorrect Correct



Ergoplan Cupboard 1800H

Assembly Instructions

Parts

Item	Description	Quantity
c1	6x35 Cam Bolt	25
d1	8x30 Dowel Pin	24
c2	Cam Sticker	25
h3	Handle	2
p1	Shelf Pin	12
s1	4x16 Screw	38
s7	4x22 Fix Bolt	4
g2	Hinge Body	8
k4	Lock	1
k1	Lock Catch	1
k5	Lock Catch	1
c6	Foot	4
s2	4x35 Screw	4



c1 6x35 Cam Bolt



d1 8x30 Dowel Pin



c2 Cam Sticker



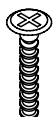
h3 Handle



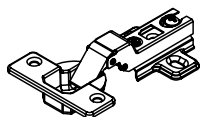
p1 Shelf Pin



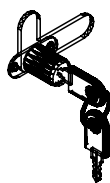
s1 4x16 Screw



s7 4x22 Fix Bolt



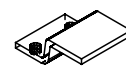
g2 Hinge Body



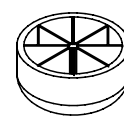
k4 Lock



k1 Lock Catch



k5 Lock Catch



c6 Foot



s2 4x35 Screw

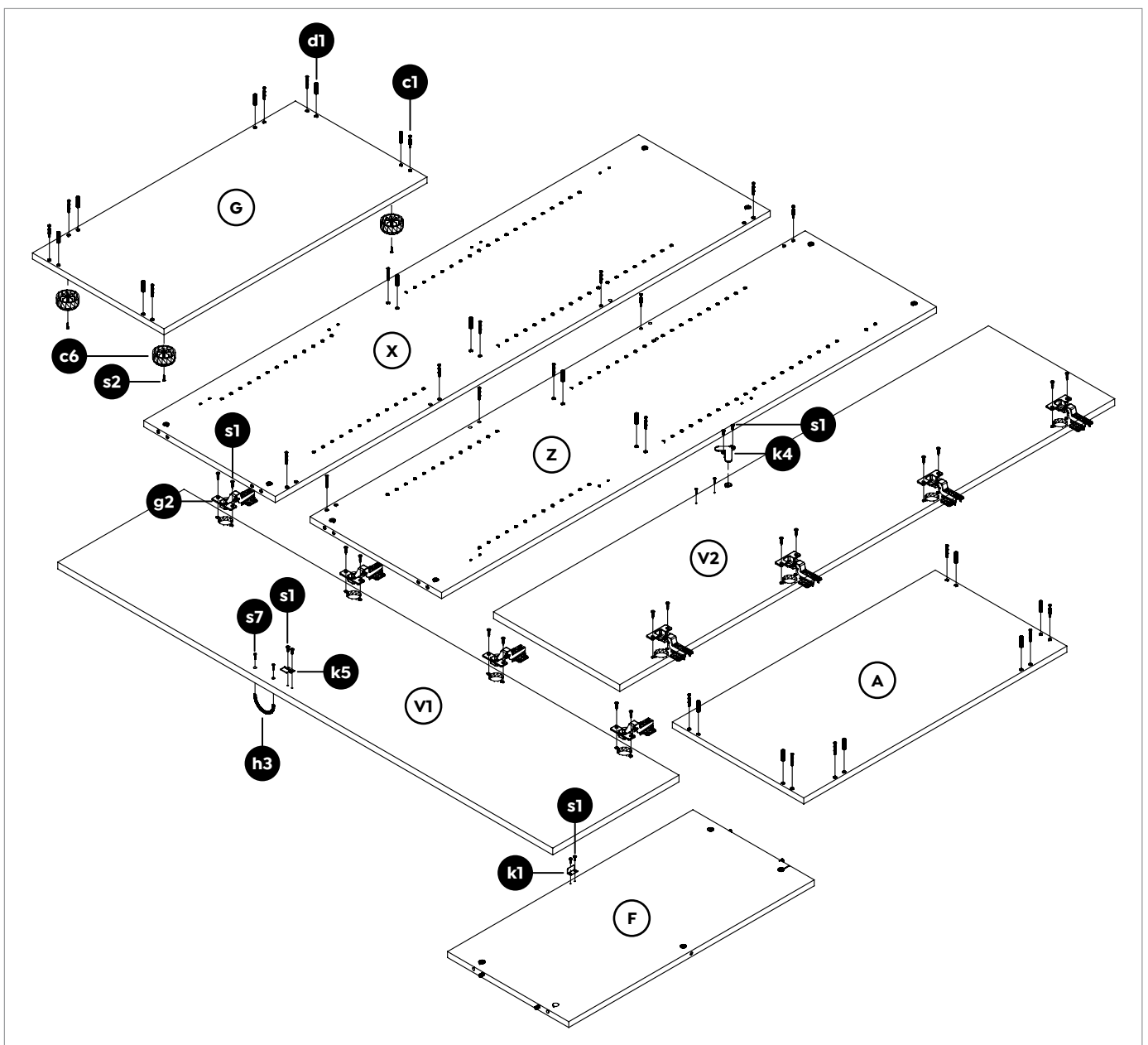


Cam
(pre-installed)

Step 1

Preparation for top panel A, bottom panel G, left side panel X, right side panel Z, immovable panel F, door panel V1 and V2.

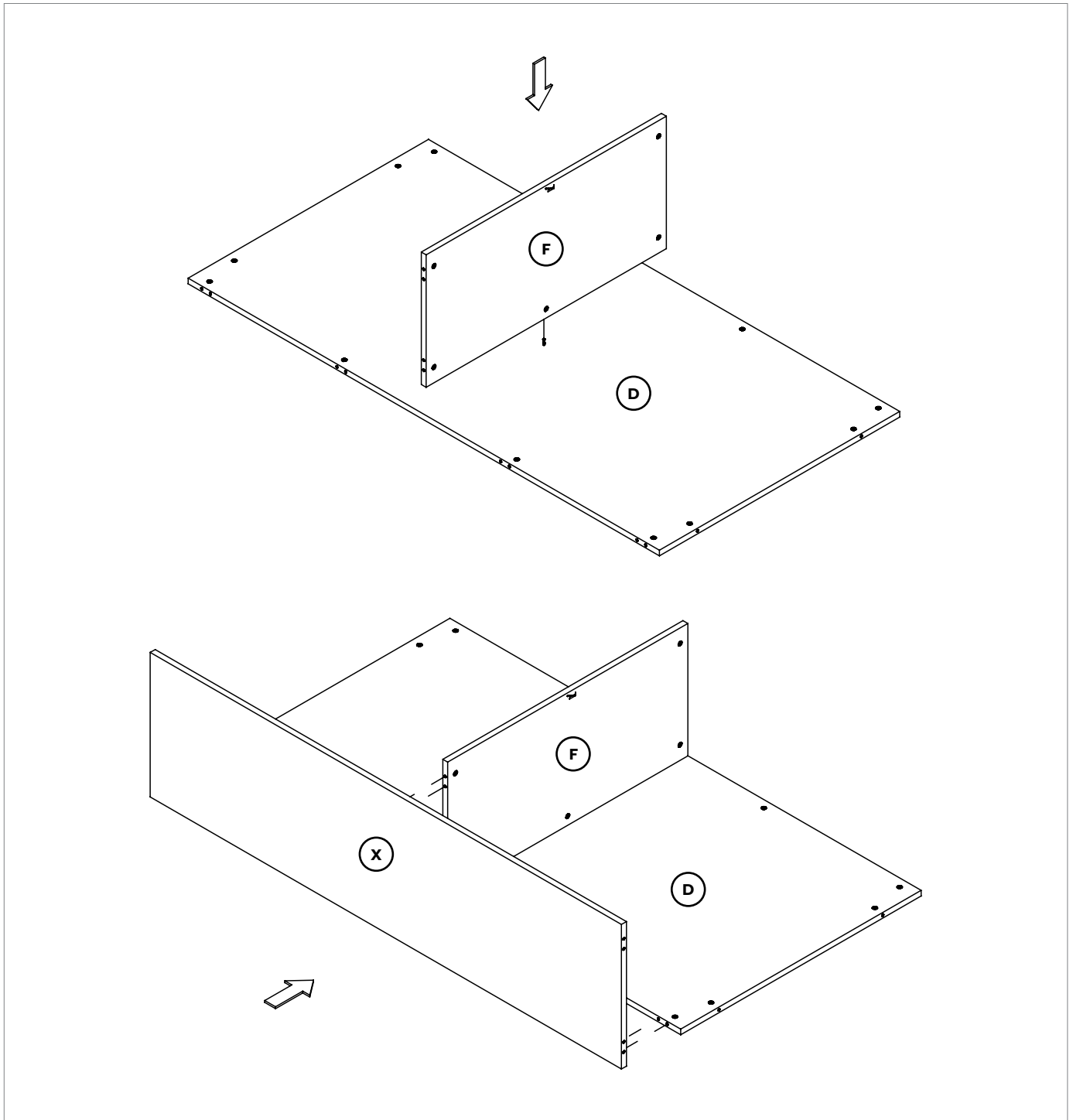
1. Insert cams bolts (c1) and dowel pins (d1) into panels A, G, X and Z.
2. Fix the lock catch (k1) to panel F with screws (s1).
3. Fix hinge bodies (g2) to panels V1 and V2 with screws (s1).
4. Assemble handles (h3) to panels V1 and V2 with fix bolts (s7).
5. Fix the lock catch (k5) to panel V1 with screws (s1).
6. Fix the lock (k4) to panel V2 with screws (s1).
7. Assemble feet (c6) to panel G with screws (s2).



Step 2

Immovable panel F, back panel D and left side panel X assembly.

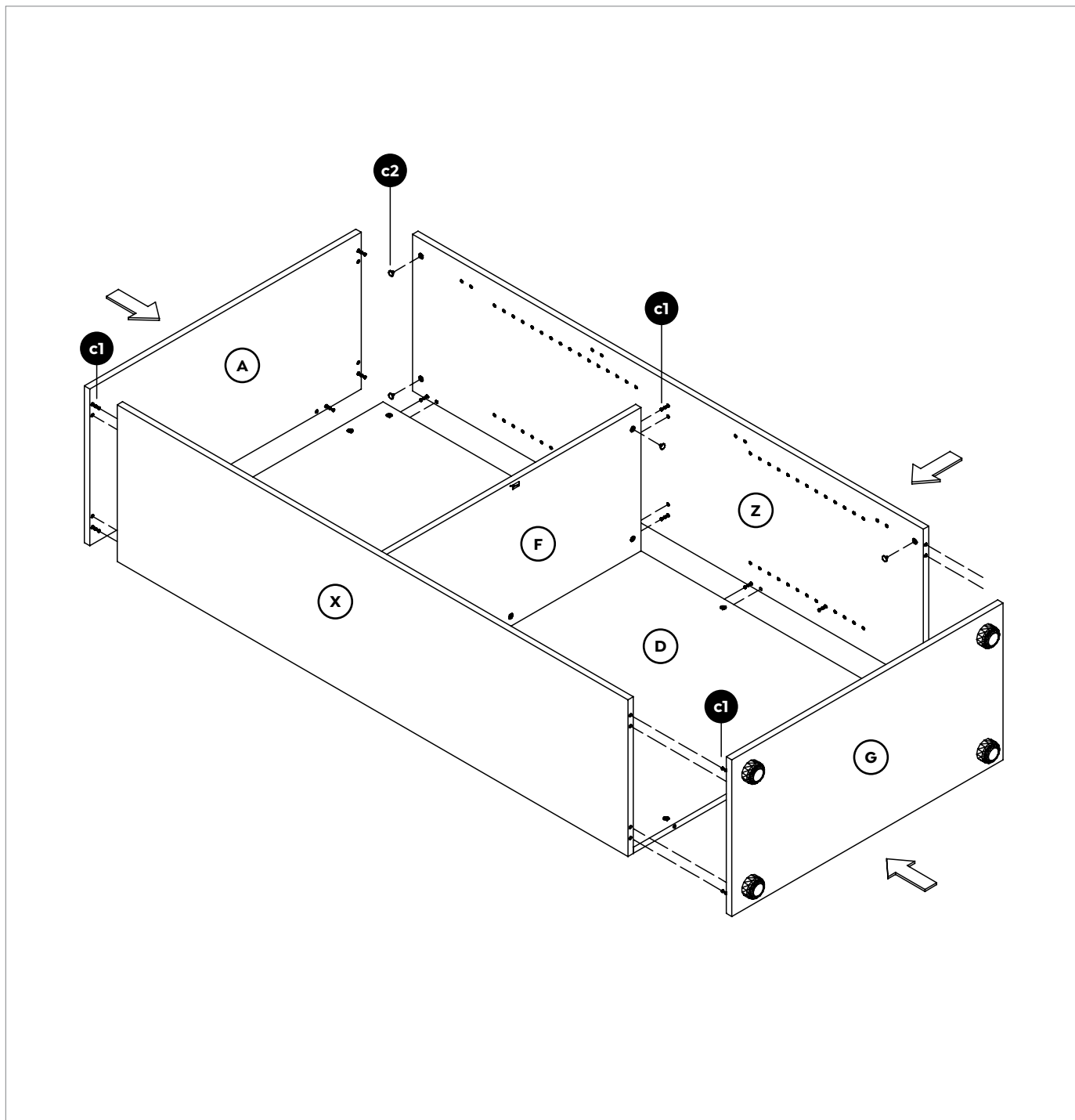
1. Insert cam bolt (c1) on panel D into cam on panel F and tighten in a clockwise direction.
2. Insert cam bolts (c) on panel X into cams on panel D & F and tighten in a clockwise direction.



Step 3

Top panel A, bottom panel G and right side panel Z assembly.

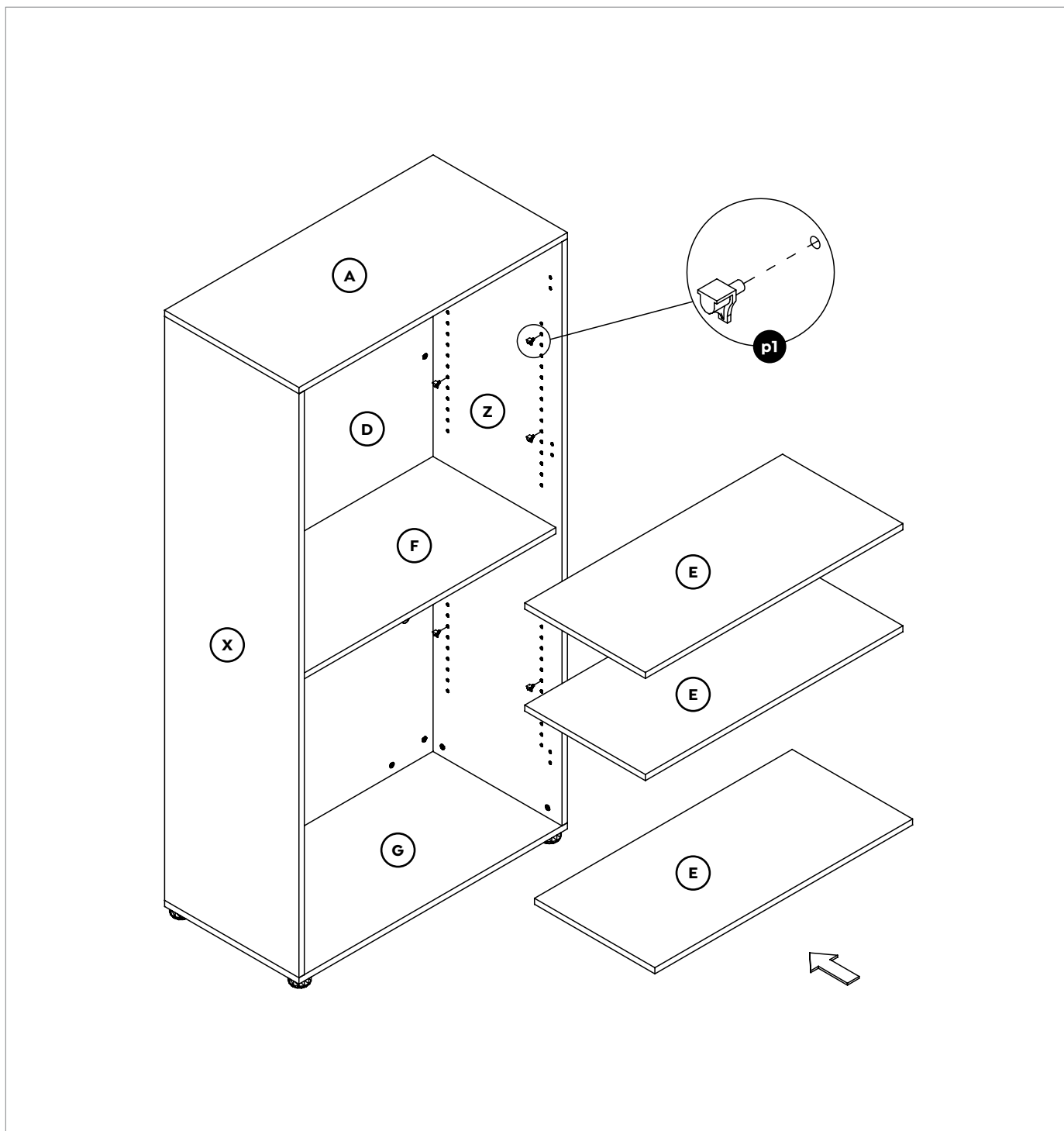
1. Insert cam bolts (c1) on panel Z into cams on panel D & F and tighten in a clockwise direction.
2. Insert cam bolts (c1) on panel A and G into cams on panel X, D & Z and tighten in a clockwise direction.
3. Cover top of cams with cam stickers (c2).



Step 4

Movable shelf E assembly.

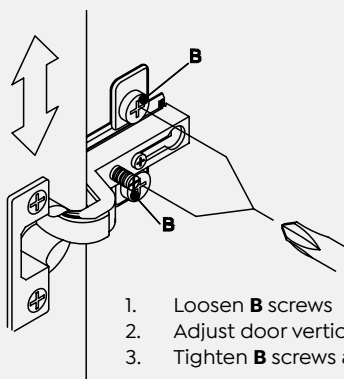
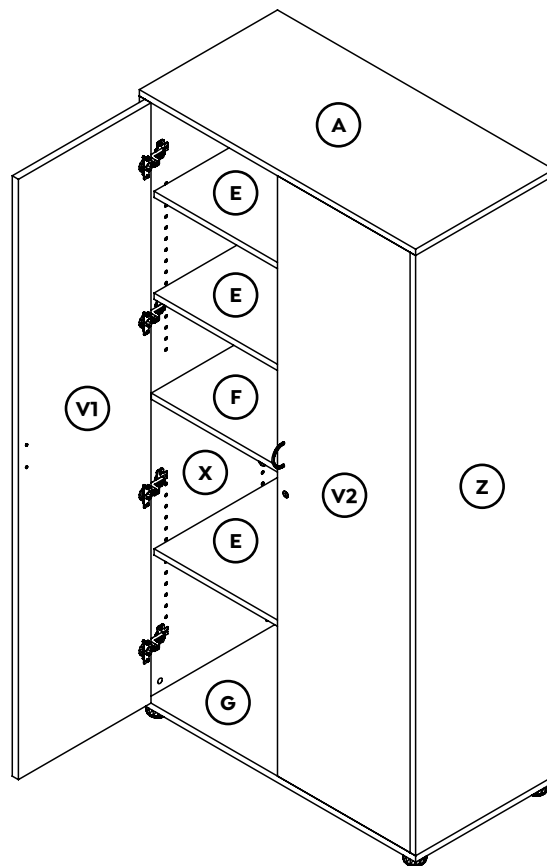
1. Insert shelf pins (p1) into panels X and Z at desired shelf height.
2. Put the three panels E on the top of the shelf pins (p1).



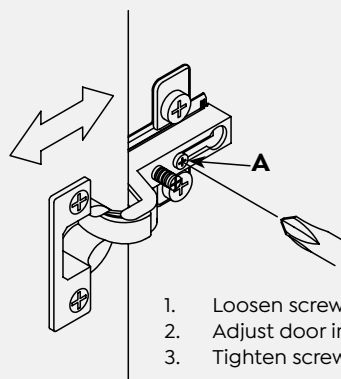
Step 5

Door panel V1 and door panel V2 assembly.

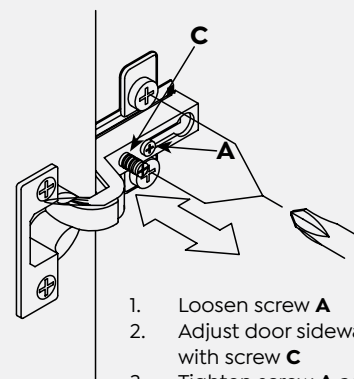
1. Fix hinge bodies (g2) on door V1 to the inner of panel X with screws (s1).
2. Fix hinge bodies (g2) on door V2 to the inner of panel Z with screws (s1).
3. Follow diagram below to adjust the vertical, depth and sideways movement of the doors.



1. Loosen **B** screws
2. Adjust door vertical
3. Tighten **B** screws again



1. Loosen screw **A**
2. Adjust door in depth
3. Tighten screw **A** again



1. Loosen screw **A**
2. Adjust door sideways with screw **C**
3. Tighten screw **A** again

Completed

