

# Ergoplan Bow-Front Desk

## Assembly Instructions

**Tools Required:** Powered Screwdriver



# Ergoplan Bow-Front Desk

## Assembly Instructions

---

Thank you for purchasing Knight product, please carefully read the assembly instructions prior to installment to gain a complete understanding of the product. It provides you with important information about the safety, use, installation and maintenance.

**WARNING: FAILURE TO COMPLY WITH OR OBSERVE ALL ASSEMBLY, SAFETY AND OPERATION INSTRUCTIONS REGARDING THE USE OF THIS PRODUCT MAY RESULT IN SERIOUS BODILY INJURY.**

### SAFETY

- The product must be used in a safe manner. Inappropriate use may cause damage to the product and/or cause bodily harm to the user or persons nearby.
- Don't locate furniture in direct sunlight or near air-conditioning inlet or heating radiator.
- Don't put high-temperature or frozen objects on furniture.
- Safely carry product to location of assembly.
- Retain this operation manual and pass it on to any future owner.

### SET UP AND INSTALLATION

- Assemble the product according to the assembly instructions.
- To prevent possible scratches or damage, assemble the product on a soft surface such as a blanket, carpet or packaging.
- Place the product a safe distance from window frames, radiators, furniture etc. so that persons cannot become trapped.

It is recommended that this product is assembled by 2 people.

**Any questions contact Knight on 0800 143 143**

Due to continuous improvement of our products, our assembly instructions may not be in complete accordance with the product and we apologise in advance.



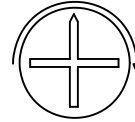
# Ergoplan Bow-Front Desk

## Assembly Instructions

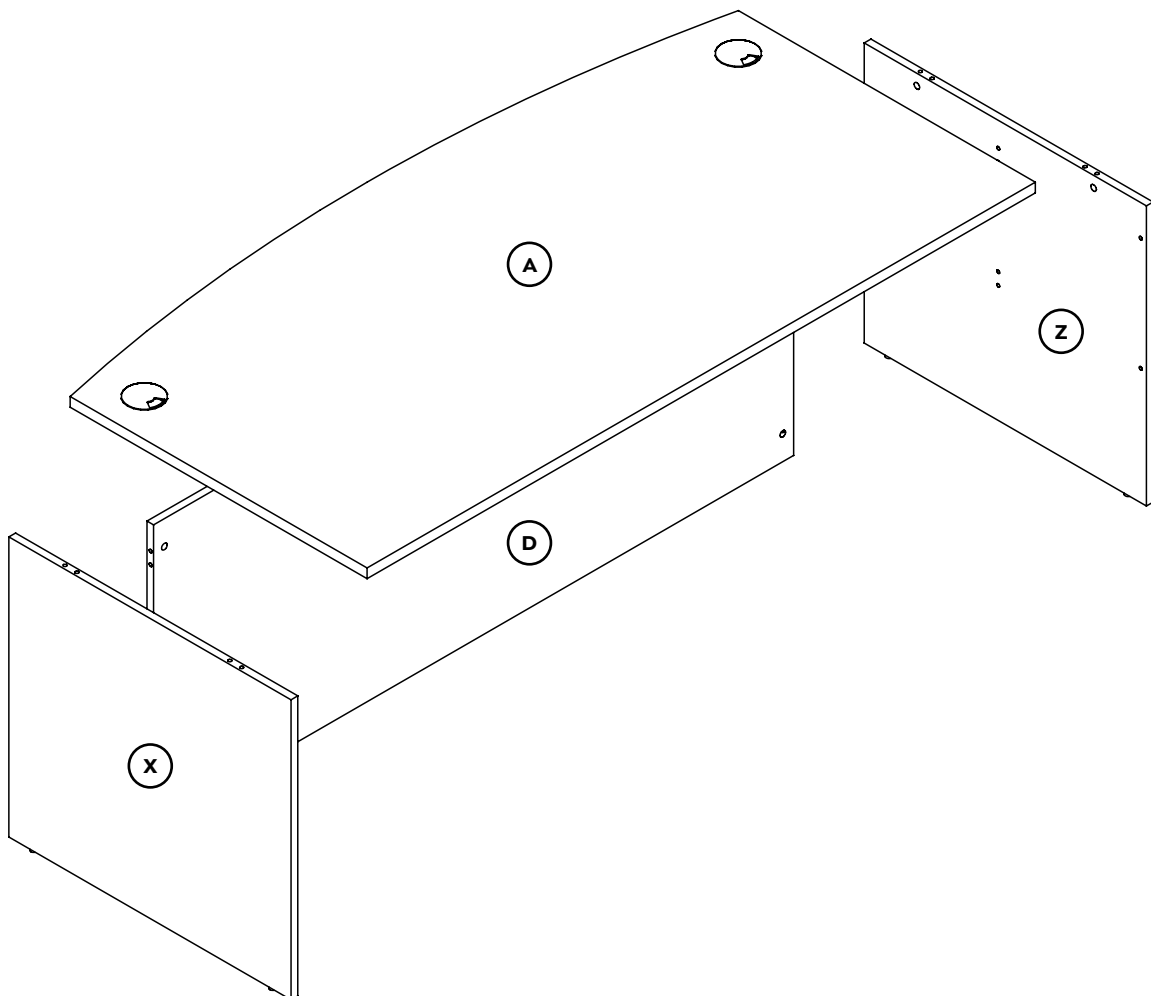
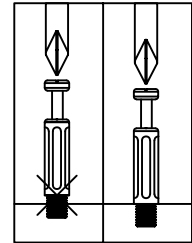
### Parts

Item	Description	Quantity
A	Top Panel	1
X	Left Side Panel	1
Z	Right Side Panel	1
D	Back Panel	1

The turning direction  
of attaching



Incorrect Correct



# Ergoplan Bow-Front Desk

## Assembly Instructions

---

### Parts

Item	Description	Quantity
<b>c1</b>	6x35 Cam Bolt	10
<b>d1</b>	8x30 Dowel Pin	10
<b>c2</b>	Cam Sticker	10
<b>b1</b>	Bracket	4
<b>s1</b>	4x16 Screw	16



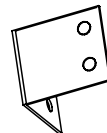
**c1** 6x35 Cam Bolt



**d1** 8x30 Dowel Pin



**c2** Cam Sticker



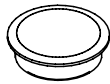
**b1** Bracket



**s1** 4x16 Screw



Cam  
**(pre-installed)**

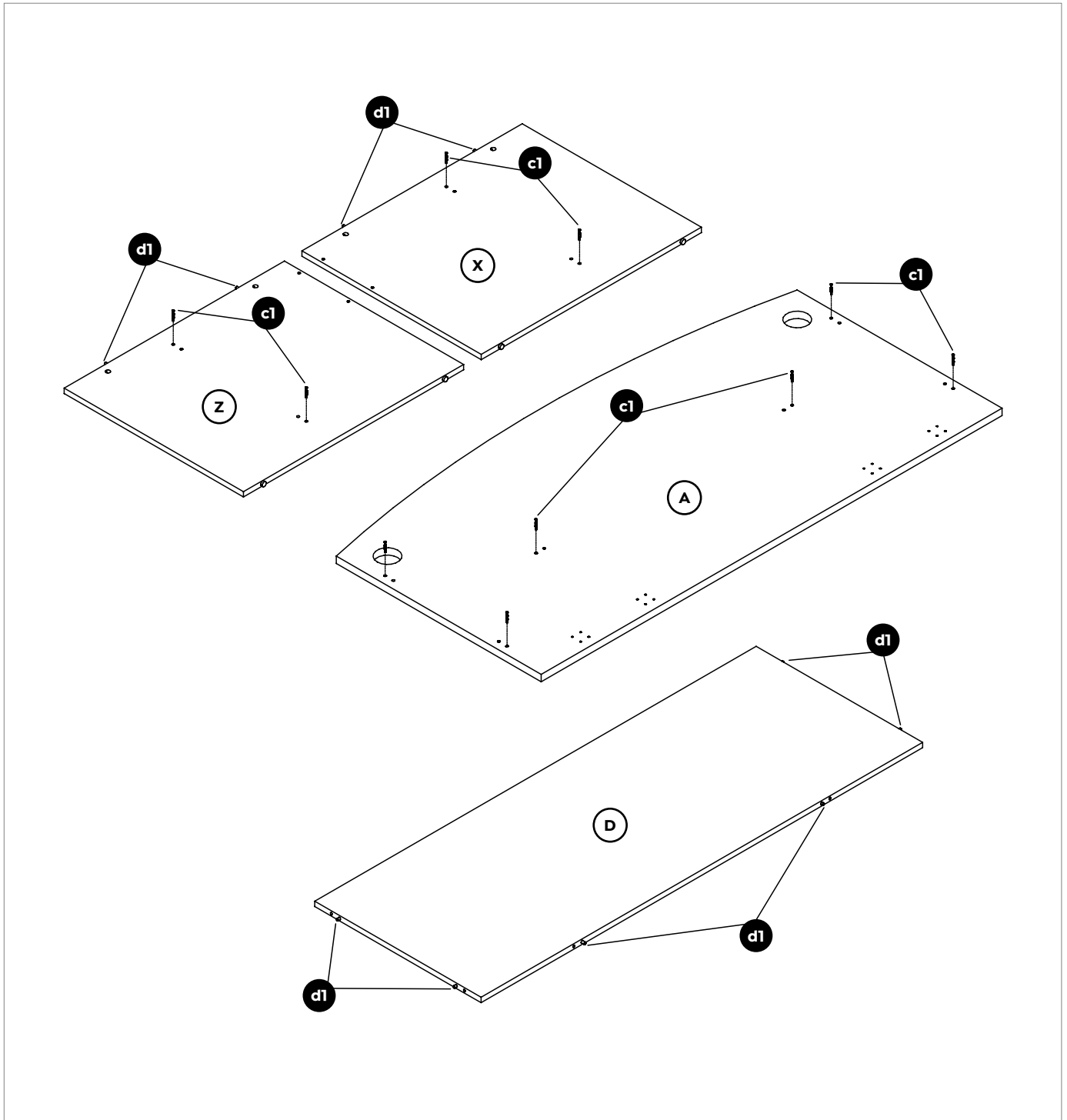


Cable Port  
1500mm & 1800mm Only  
**(pre-installed)**

### Step 1

#### Preparation for top panel A, left side panel X, right side panel Z and back panel D.

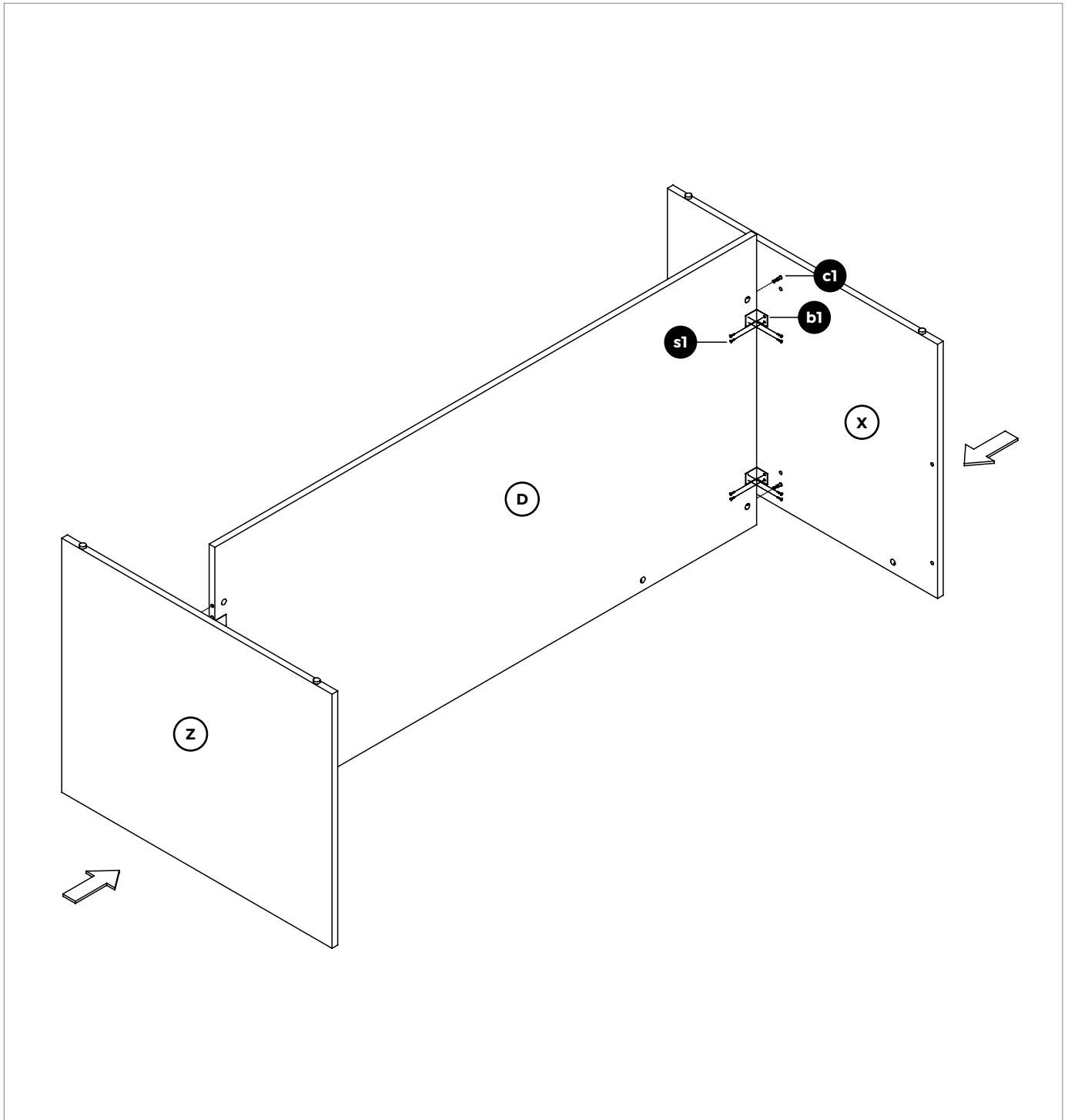
1. Insert cam bolts (c1) into panels A, X and Z.
2. Insert dowel pins (d1) into panels X, Z and D.



## Step 2

### Left side panel X, right side panel Z, and back panel D assembly.

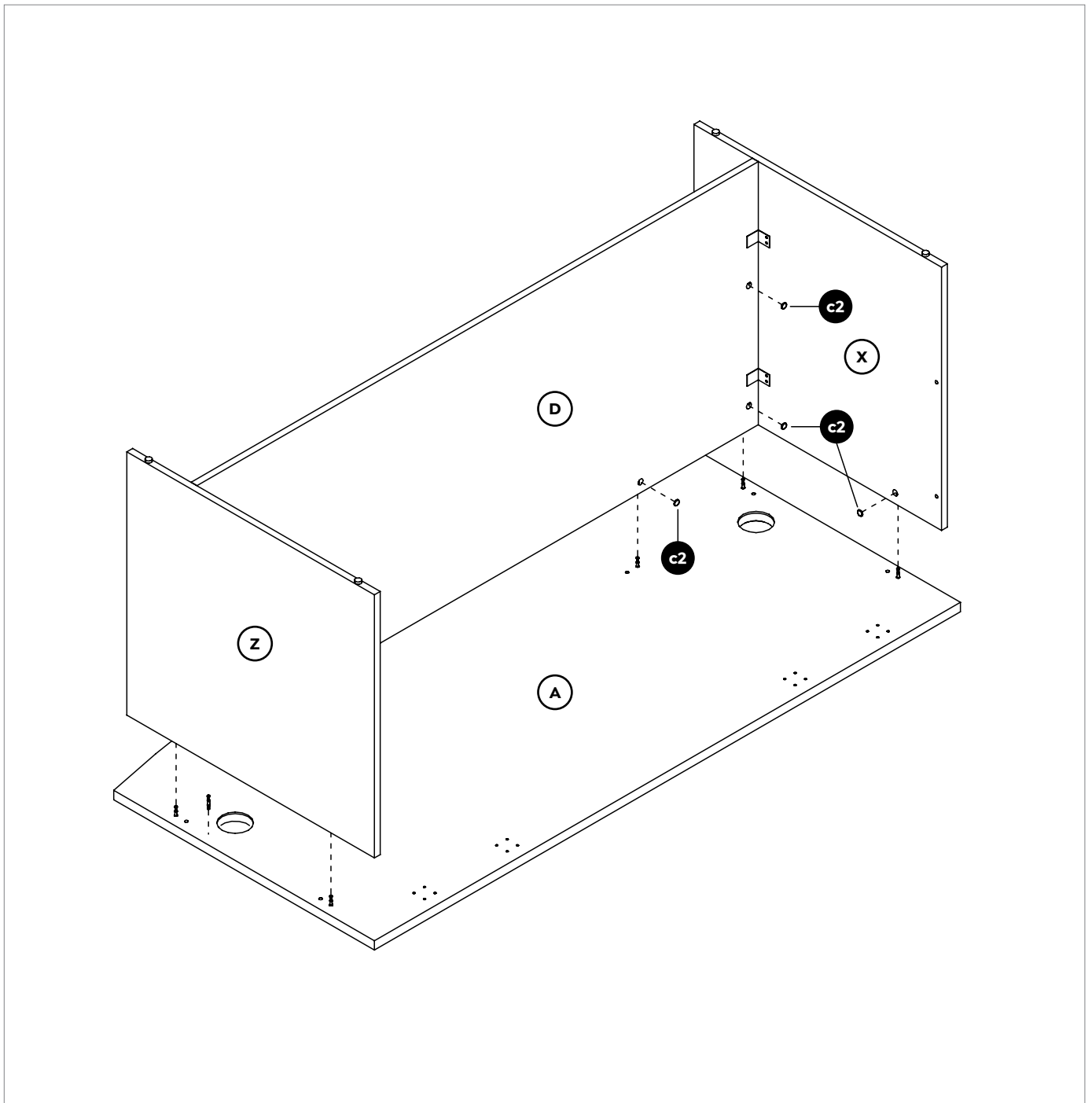
1. Insert cam bolts (c1) on panels X and Z into cams on panel D and tighten in a clockwise direction.
2. Secure panel X & D and panel Z & D with brackets (b1) using screws (s1).



### Step 3

#### Top panel A assembly.

1. Insert cam bolts (c1) on panel A into cams on panels Z, D and X and tighten in a clockwise direction.
2. Cover top of cams with cam stickers (c2).
3. Turn desk over to upright position.



## Complete

---

