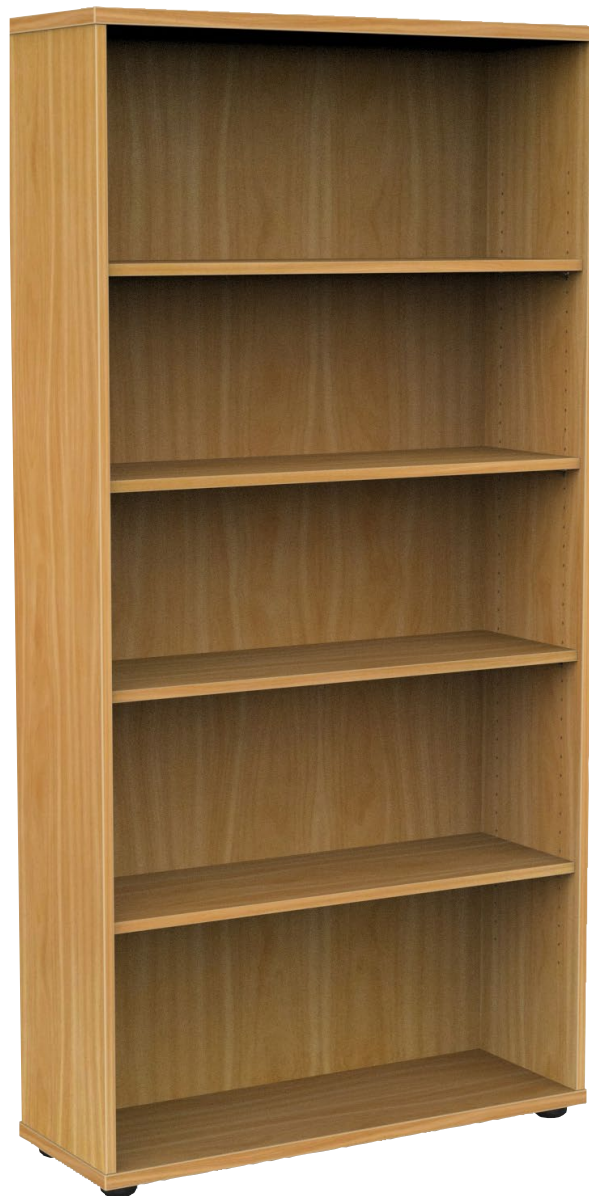


# Ergoplan Bookcase 1800H

## Assembly Instructions

**Tools Required:** Powered Screwdriver



# Ergoplan Bookcase 1800H

## Assembly Instructions

---

Thank you for purchasing Knight product, please carefully read the assembly instructions prior to installment to gain a complete understanding of the product. It provides you with important information about the safety, use, installation and maintenance.

**WARNING: FAILURE TO COMPLY WITH OR OBSERVE ALL ASSEMBLY, SAFETY AND OPERATION INSTRUCTIONS REGARDING THE USE OF THIS PRODUCT MAY RESULT IN SERIOUS BODILY INJURY.**

### SAFETY

- The product must be used in a safe manner. Inappropriate use may cause damage to the product and/or cause bodily harm to the user or persons nearby.
- Don't locate furniture in direct sunlight or near air-conditioning inlet or heating radiator.
- Don't put high-temperature or frozen objects on furniture.
- Safely carry product to location of assembly.
- Retain this operation manual and pass it on to any future owner.

### SET UP AND INSTALLATION

- Assemble the product according to the assembly instructions.
- To prevent possible scratches or damage, assemble the product on a soft surface such as a blanket, carpet or packaging.
- Place the product a safe distance from window frames, radiators, furniture etc. so that persons cannot become trapped.

It is recommended that this product is assembled by 2 people.

**Any questions contact Knight on 0800 143 143**

Due to continuous improvement of our products, our assembly instructions may not be in complete accordance with the product and we apologise in advance.



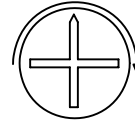
# Ergoplan Bookcase 1800H

## Assembly Instructions

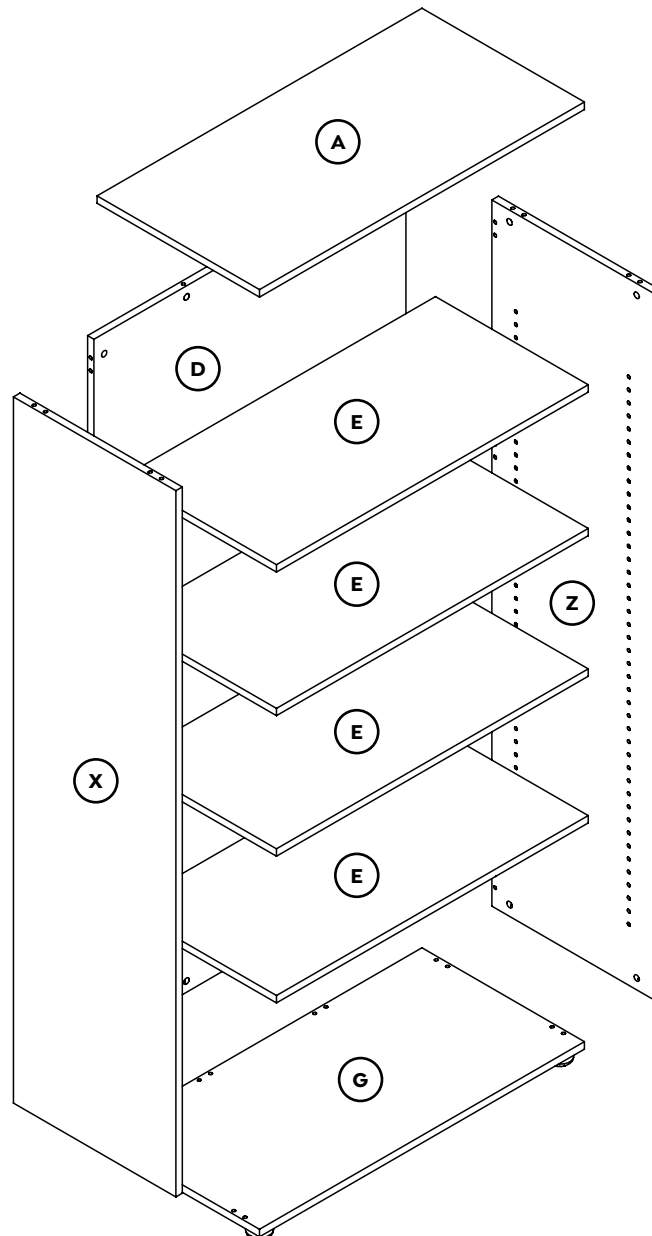
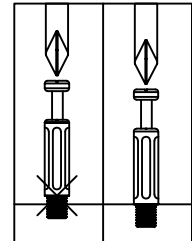
### Parts

Item	Description	Quantity
<b>A</b>	Top Panel	1
<b>X</b>	Left Side Panel	1
<b>Z</b>	Right Side Panel	1
<b>D</b>	Back Panel	1
<b>G</b>	Bottom Panel	1
<b>E</b>	Movable Shelf	4

The turning direction  
of attaching



**Incorrect**   **Correct**



# Ergoplan Bookcase 1800H

## Assembly Instructions

---

### Parts

Item	Description	Quantity
<b>c1</b>	6x35 Cam Bolt	22
<b>d1</b>	8x30 Dowel Pin	20
<b>c2</b>	Cam Sticker	22
<b>p1</b>	Shelf Pin	16
<b>c6</b>	Foot	4
<b>s2</b>	3,5x35 Screw	4



**c1** 6x35 Cam Bolt



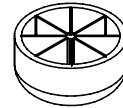
**d1** 8x30 Dowel Pin



**c2** Cam Sticker



**p1** Shelf Pin



**c6** Foot



**s2** 3,5x35 Screw

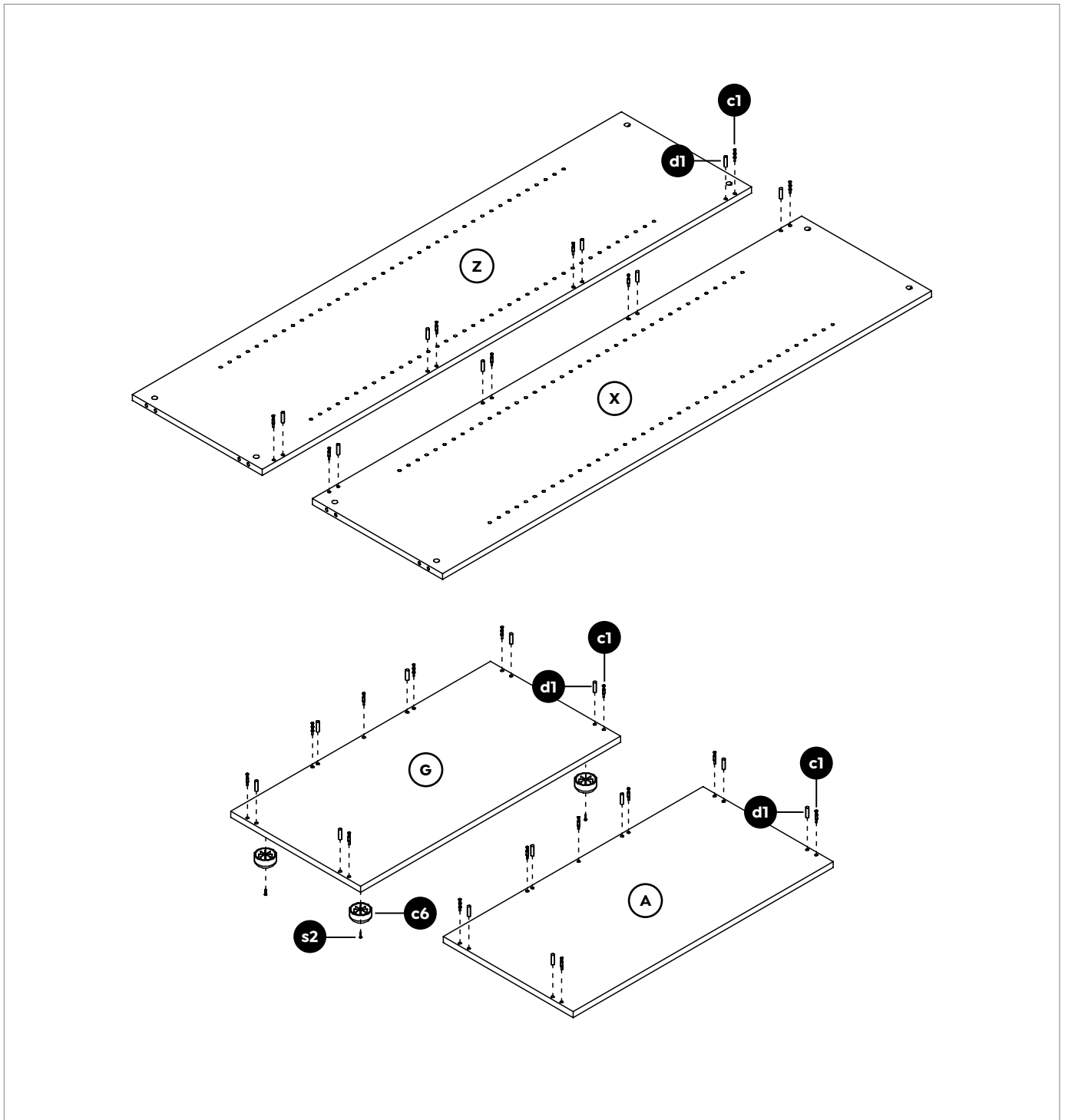


Cam  
(pre-installed)

### Step 1

#### Preparation for top panel A, bottom panel G, left side panel X and right side panel Z.

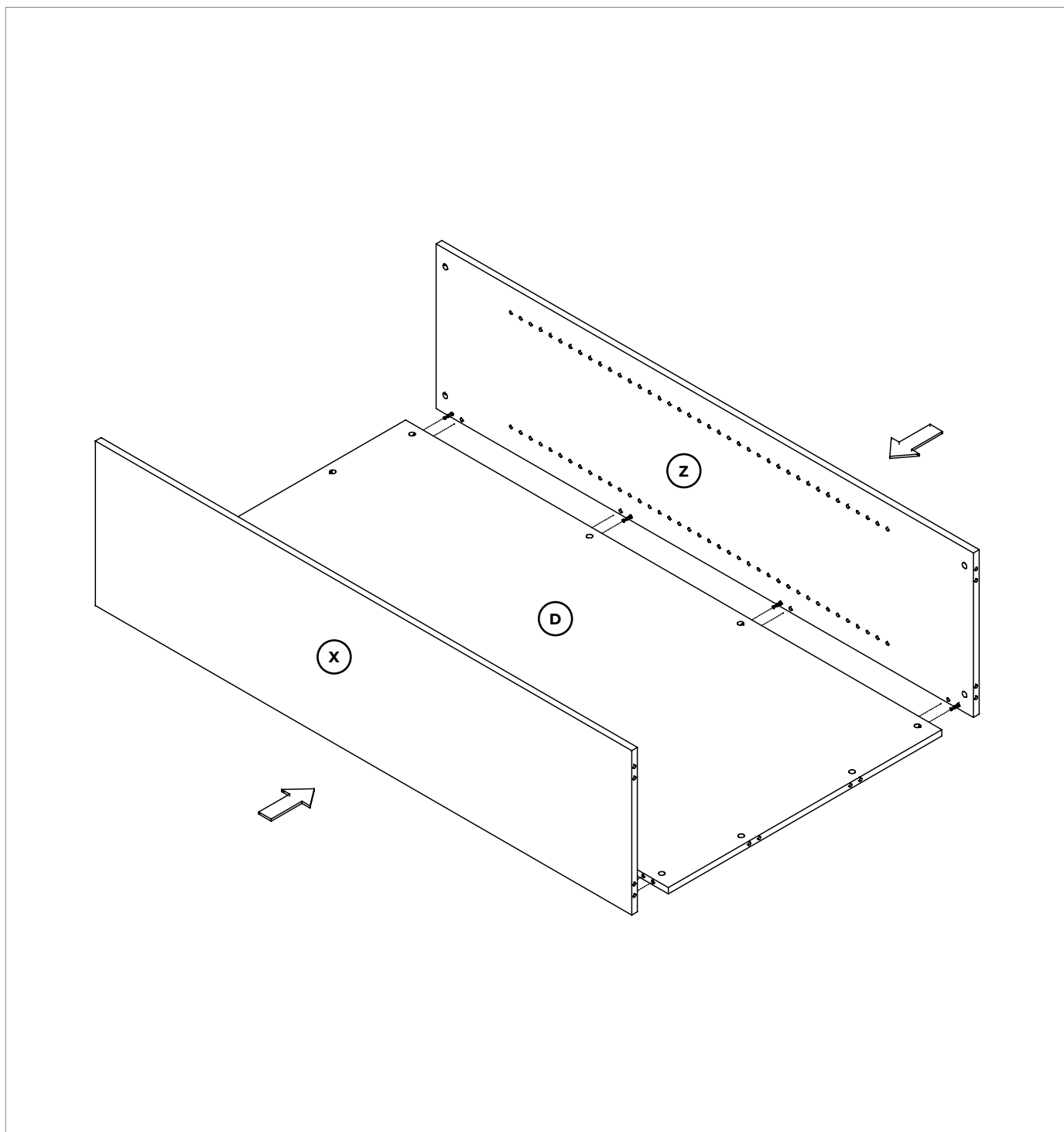
1. Insert cam bolts (c1) and dowel pins (d1) into panels A, G, X and Z.
2. Assemble feet (c6) with screws (s2) on underneath of bottom panel G.



### Step 2

#### Left side panel X and right side panel Z assembly.

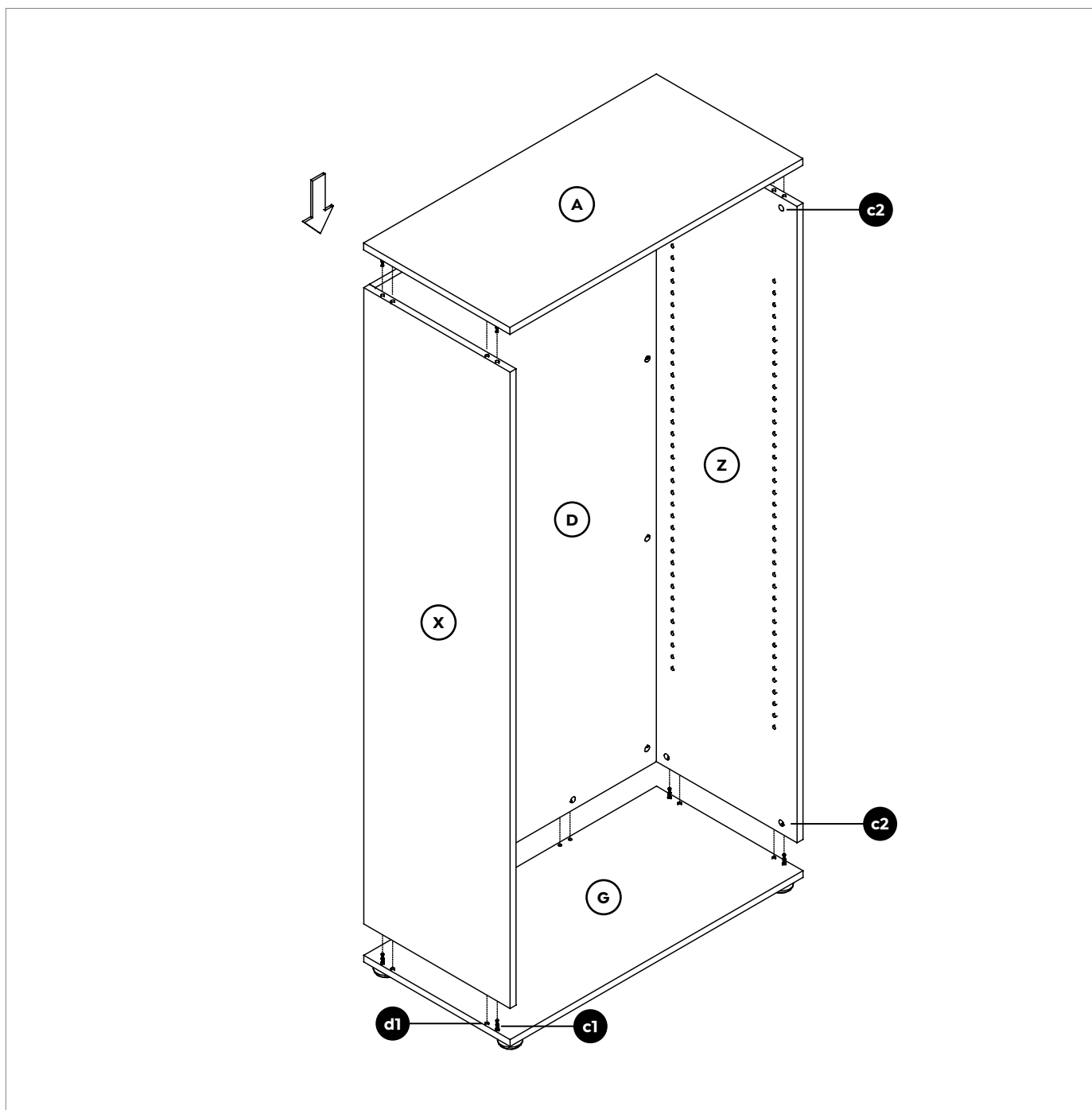
Insert cam bolts (c) and dowel pins (d1) on panel X and Z into cams on panel D and tighten in a clockwise direction.



### Step 3

#### Bottom panel G and top panel A assembly.

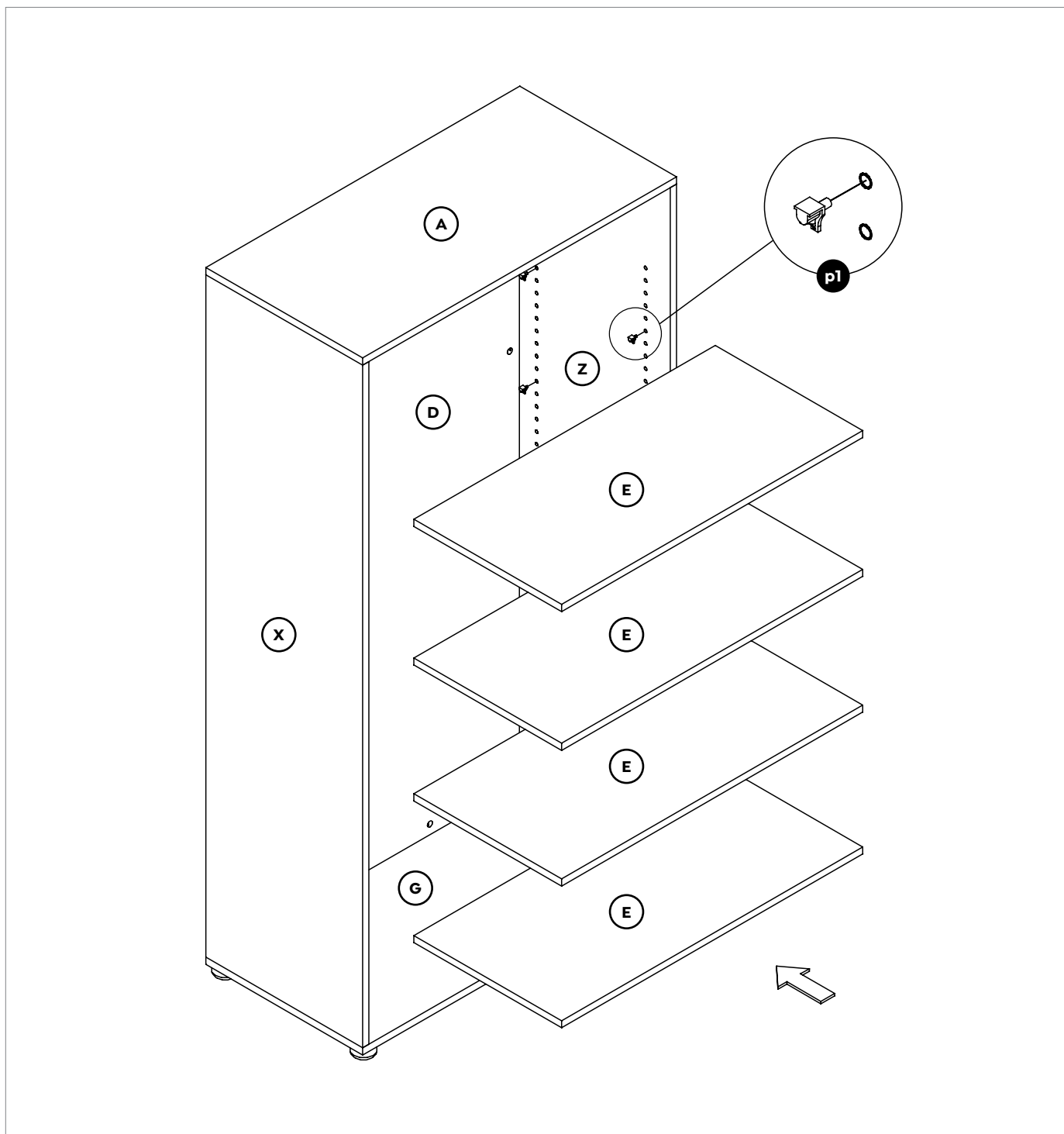
1. Insert cam bolts (c1) and dowel pins (d1) on panel G and A into cams on panel X, Z and D and tighten in a clockwise direction.
2. Cover top of cams with cam stickers (c2).



### Step 4

#### Moveable shelf E assembly.

1. Insert shelf pins (p1) into panels X and Z at desired shelf height.
2. Place the four panels E on the top of the shelf pins (p1).





### Complete

