

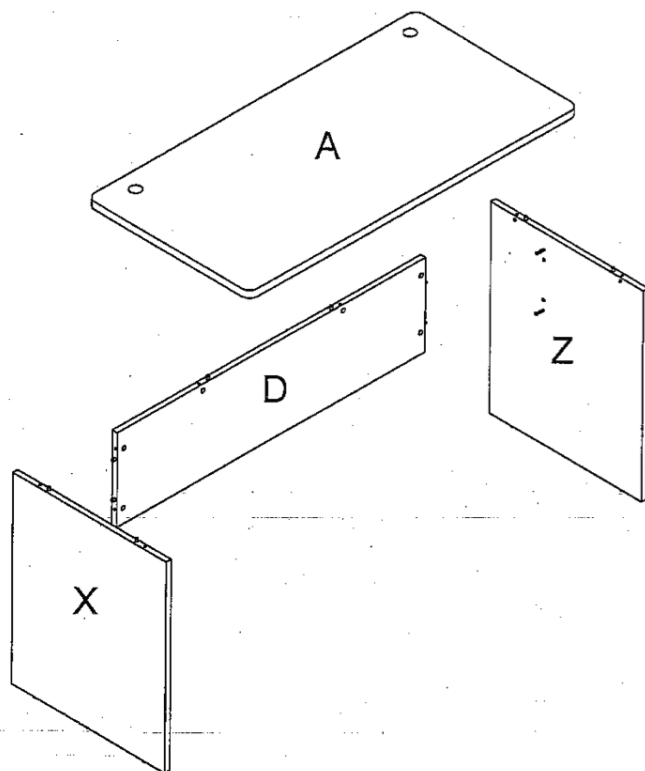
Eko Desk

Assembly Instructions

Tools Required: Powered Screwdriver



- To prevent possible scratches or damage, assemble the desk upside down on a soft surface such as a blanket, carpet or packaging.
- Attach leg to the top assembly by using bolts, spring washer, flat washer. Tighten using the allen wrench.



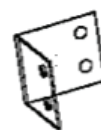
(c1) 6*35 Cam Bolt-10



(d1) 8*30 Dowel Pin-10



(c2) (5/8") Cam Cover-10



(01) Bracket-4

Pre-installed parts



(s1) 4*16 Screw-16



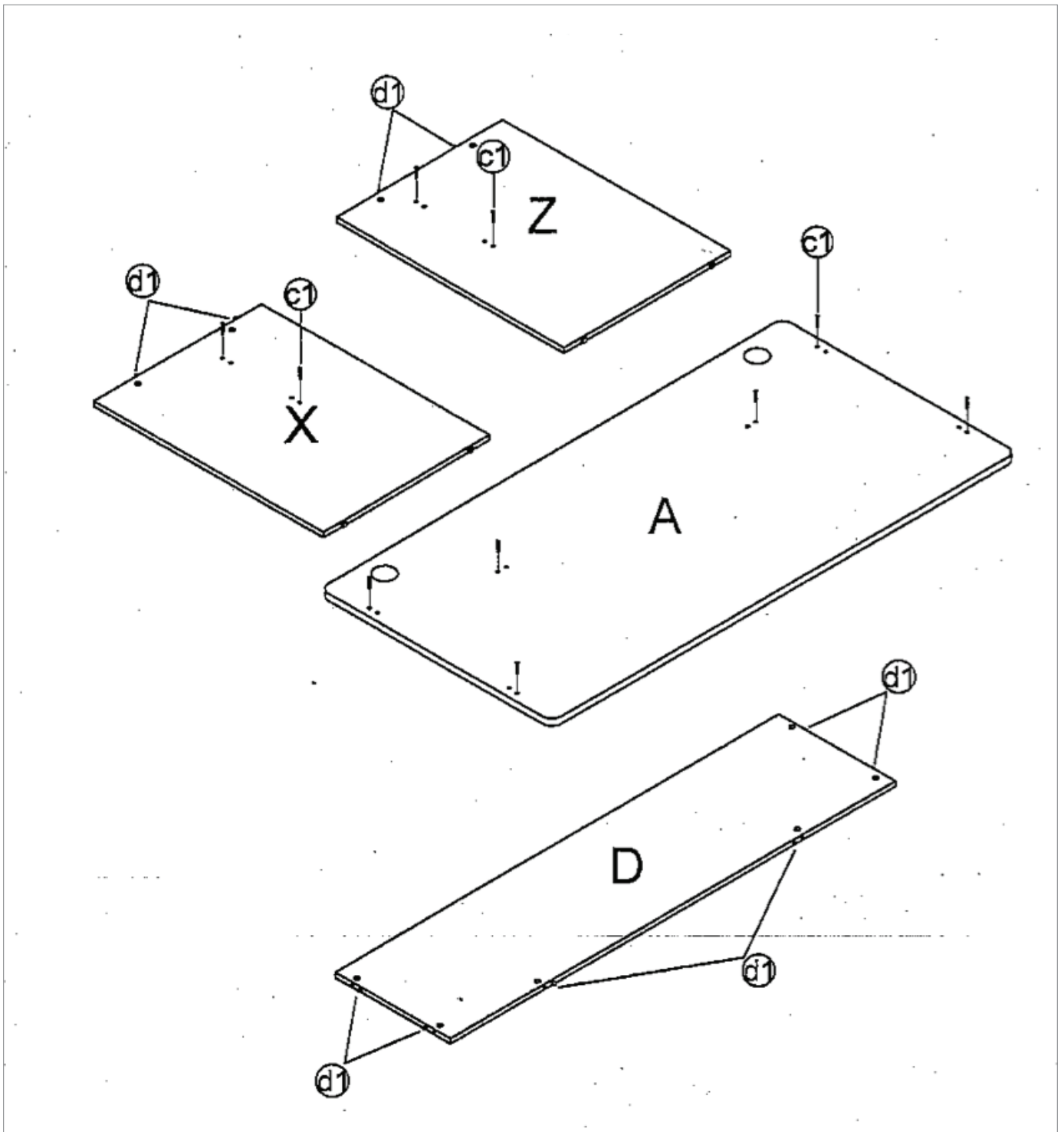
(c5) Cam



(01) Cable Port

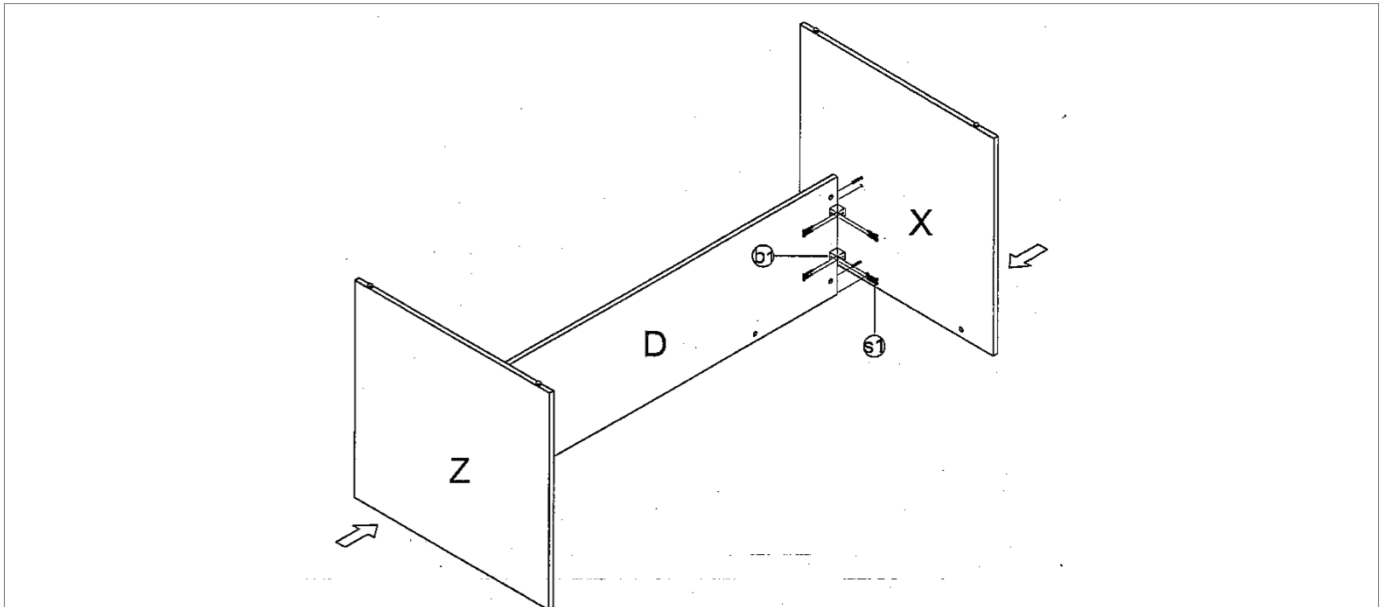
Step 1

Insert cam bolts (c1) into panels A, X and Z, then insert dowel pins (d1) into panels X, Z and D.



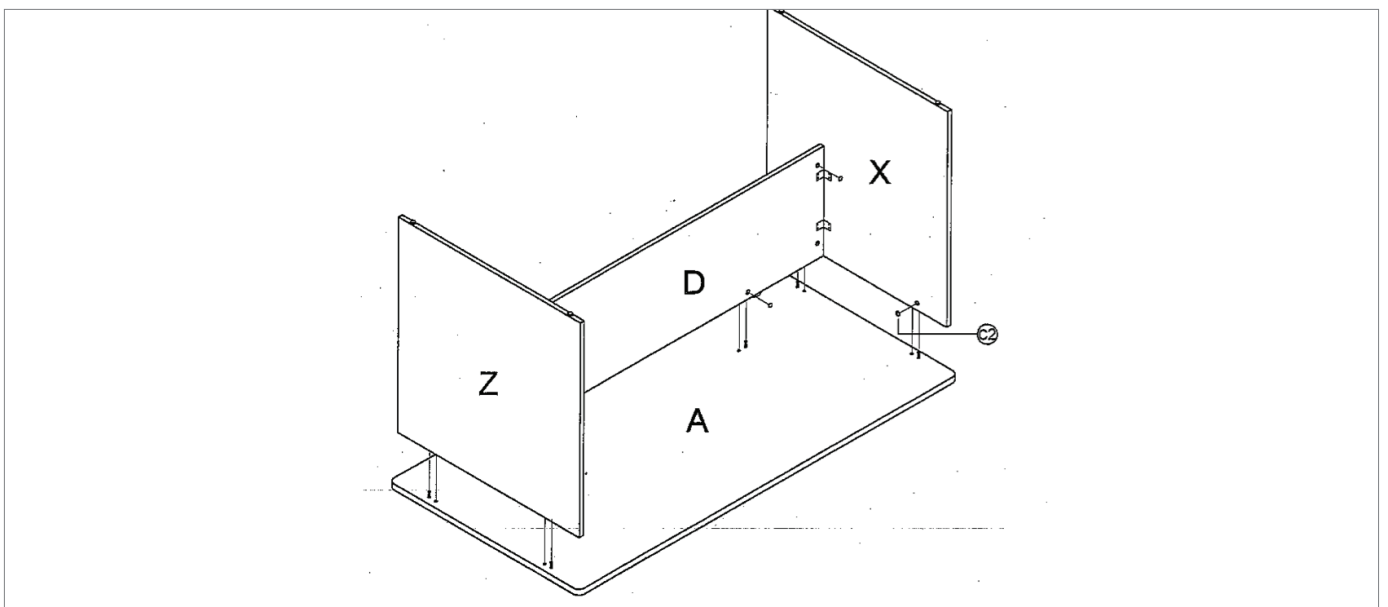
Step 2

Insert cam bolts (c1) on panels X and Z into cam on panel D and fully tighten. Then connect panel D and panel X/Z by Bracket (b) - please note power drill will be required.



Step 3

Insert cam bolts (c1) on panel A into cams on panels D, X and Z, then fully tighten. Cover the cam covers (c2) on the top of all cams.



Complete

