

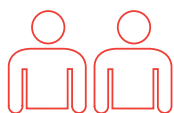
Eko Credenza

Assembly Instructions

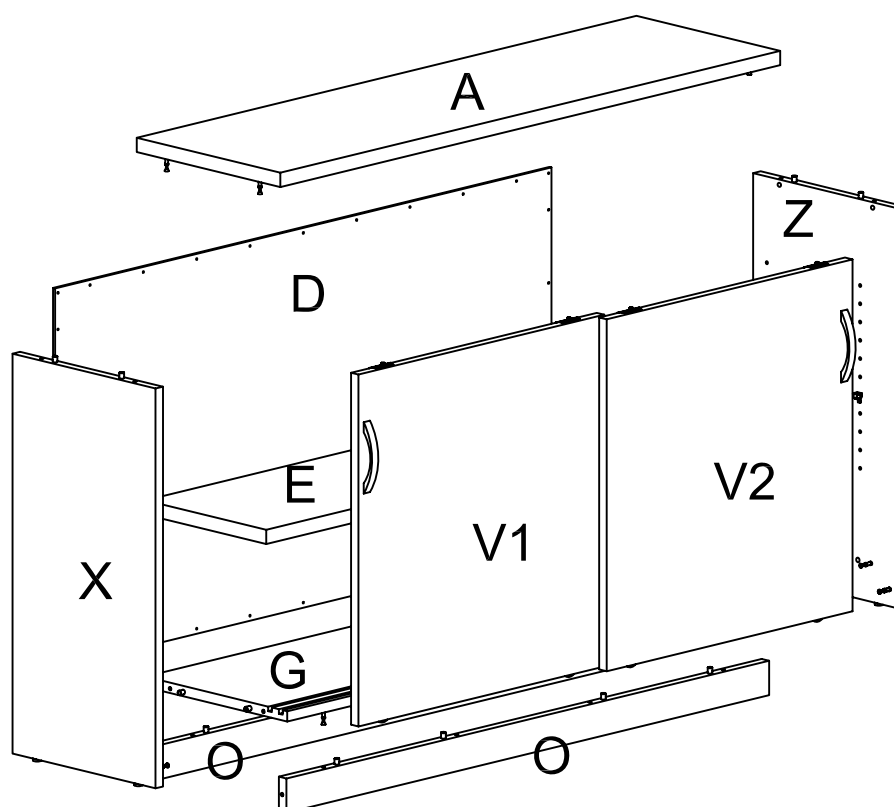
Tools Required: Powered Screwdriver



- To prevent possible scratches or damage, assemble the product on a soft surface such as a blanket, carpet or packaging.

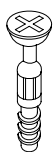


**Recommended
2-person Step**



Assembly Instructions

Item	Description	Qty	Item	Description	Qty
A	Top Panel	1	c1	6*35 Cam Bolt	20
X	Left Side Panel	1	d1	8*30 Dowel Pin	16
Z	Right Side Panel	1	c2	5/8" Cam Cover	20
D	Back Panel	1	p1	Threaded Dowel Pin	4
G	Bottom Panel	1	s7	4*22 Fix Bolt	4
E	Moveable Shelf	1	h4	Handle	2
O	Batten	2	s1	4*16 Screw	32
V1	Door Panel	1			
V2	Door Panel	1			



c1 20 x 6*35 Cam Bolts



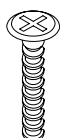
d1 16 x 8*30 Dowel Pin



c2 20 x 5/8" Cam Cover



d1 4 x Threaded Dowel Pin



s7 4 x 4*22 Fix Bolt



h4 2 x Handle



s1 32 x 4*16 Screw

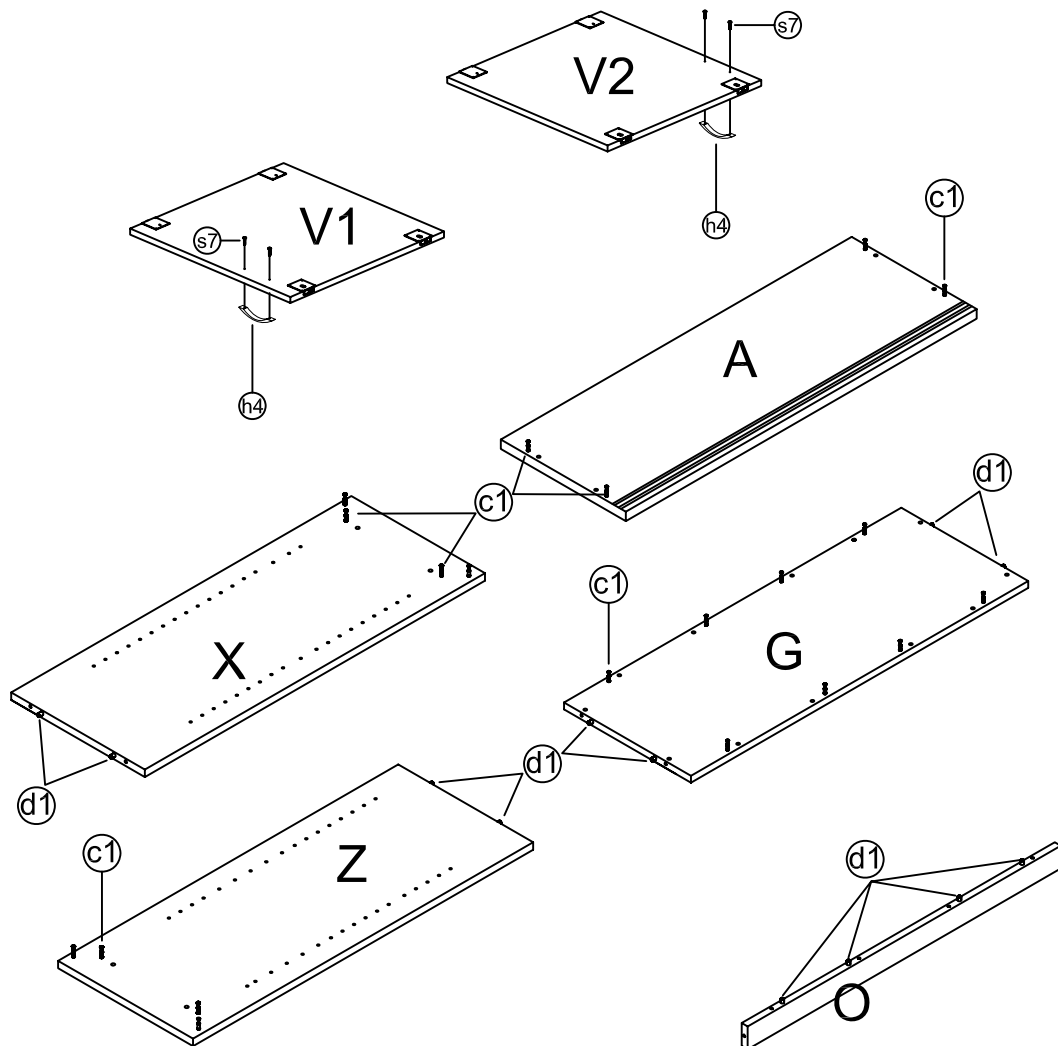
Pre-installed Parts



C5 Cam

Step 1

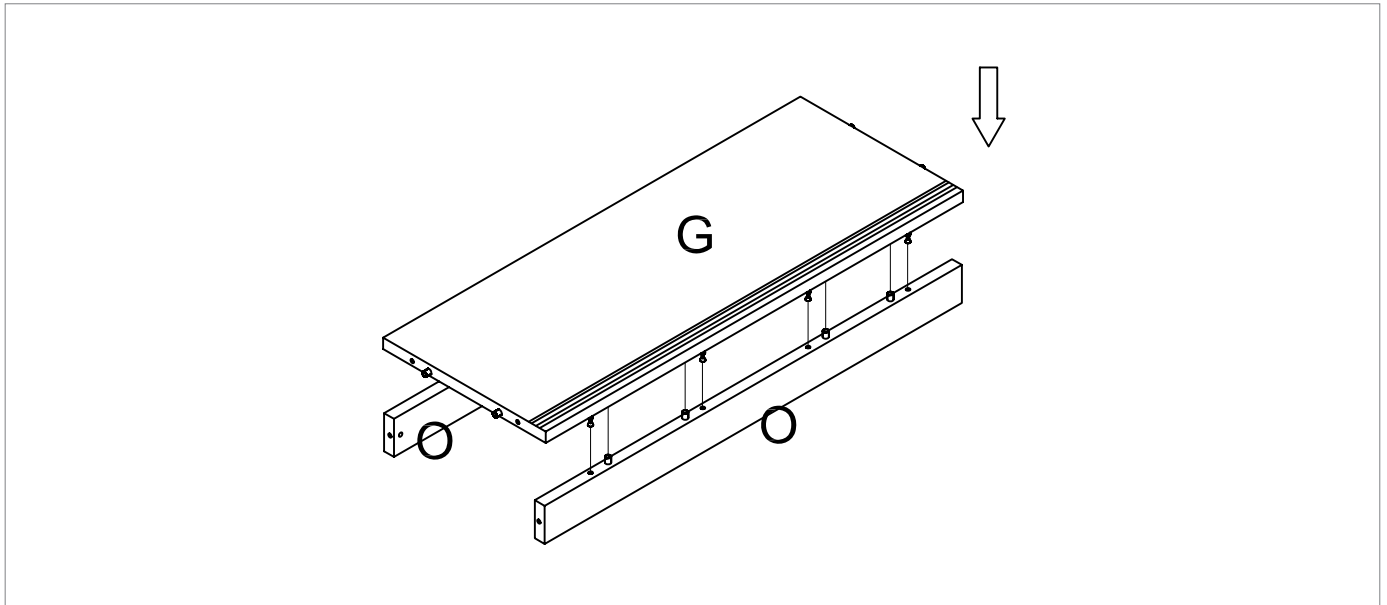
Preparation for top panel A, bottom panel G, left side panel X, right side panel Z, batten O, door panel V1 and V2.



1. Insert cams bolts (c1) and dowel pins d1 into panels A, G, X and Z as illustrated above.
2. Insert dowel pins (d1) into panels X, Z, G and O as illustrated above.
3. Fix handles (h4) to panels V1 and V2 with fix bolts (s7) as illustrated above.

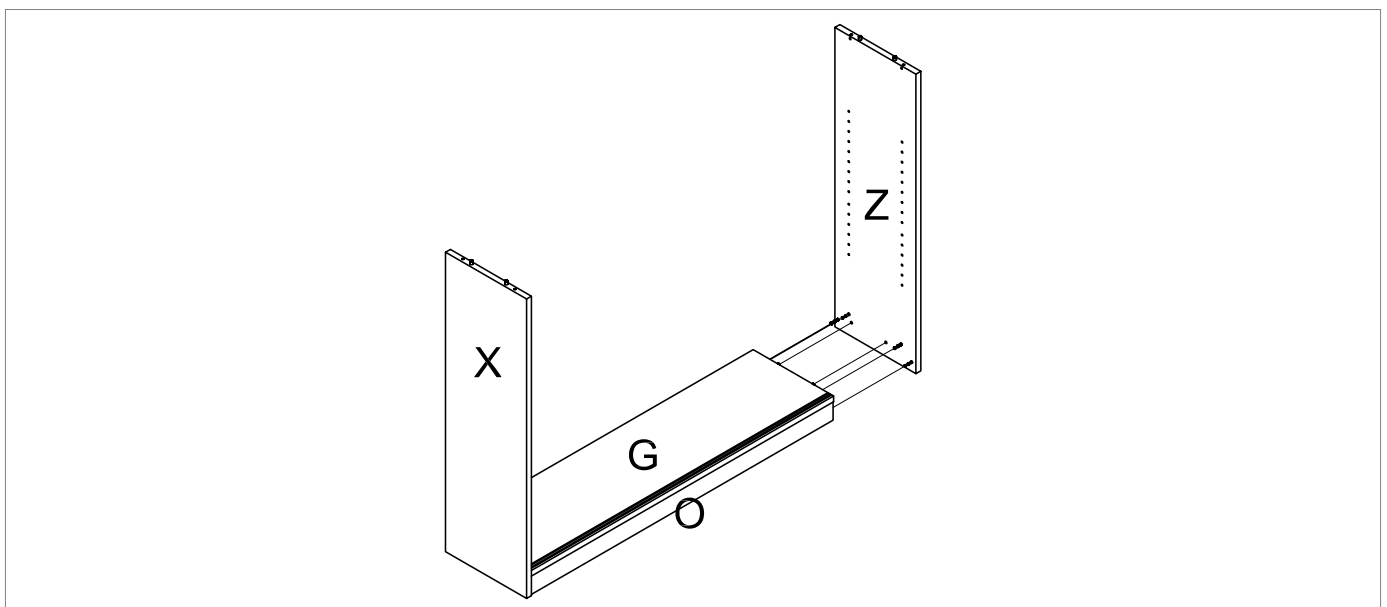
Step 2

Insert cam bolts (c1) on panel G into cams on panels O and tighten in a clockwise direction.



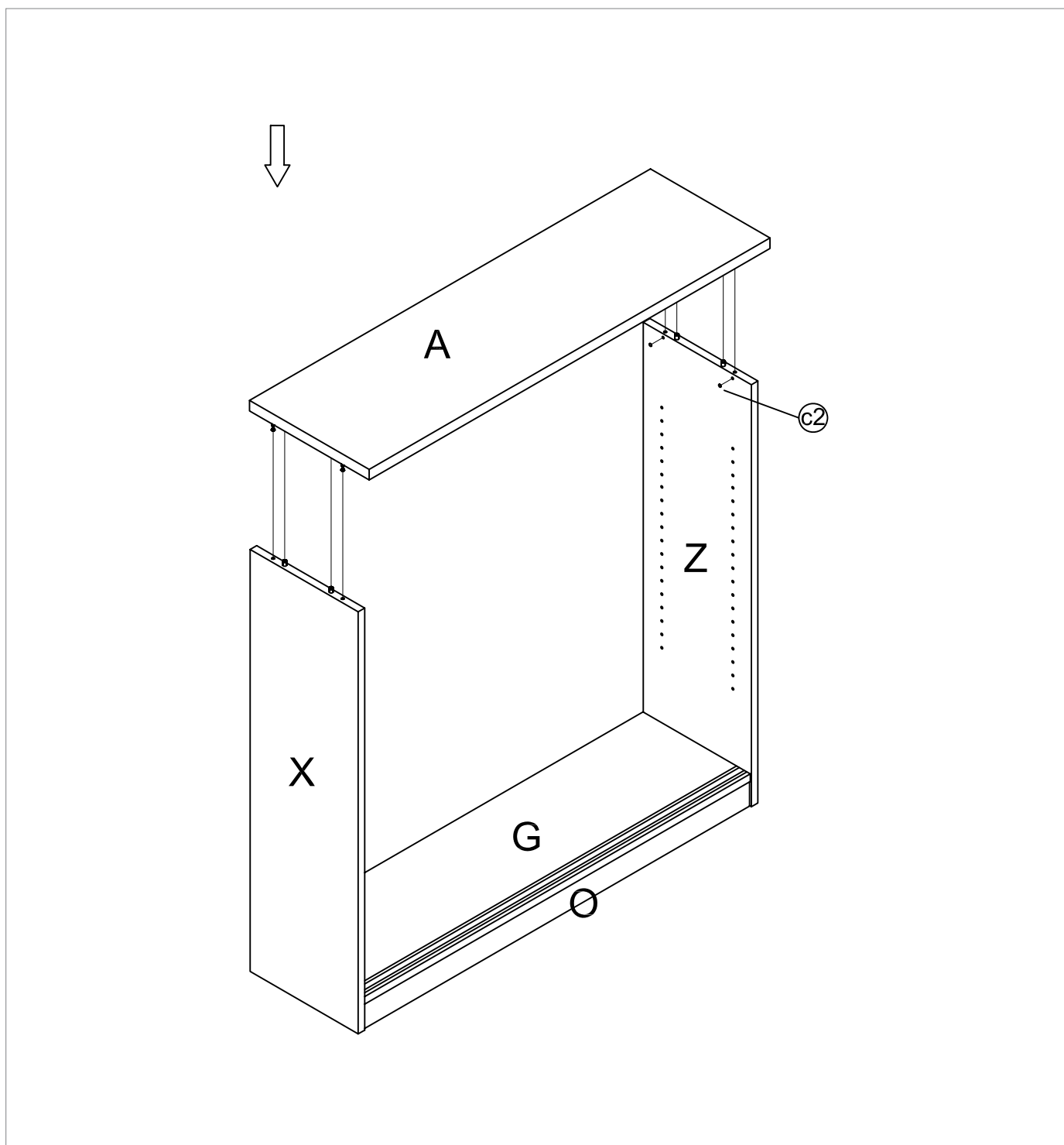
Step 3

Insert cam bolts (c1) on panel X and Z into cams on panels G, O and tighten in a clockwise direction.



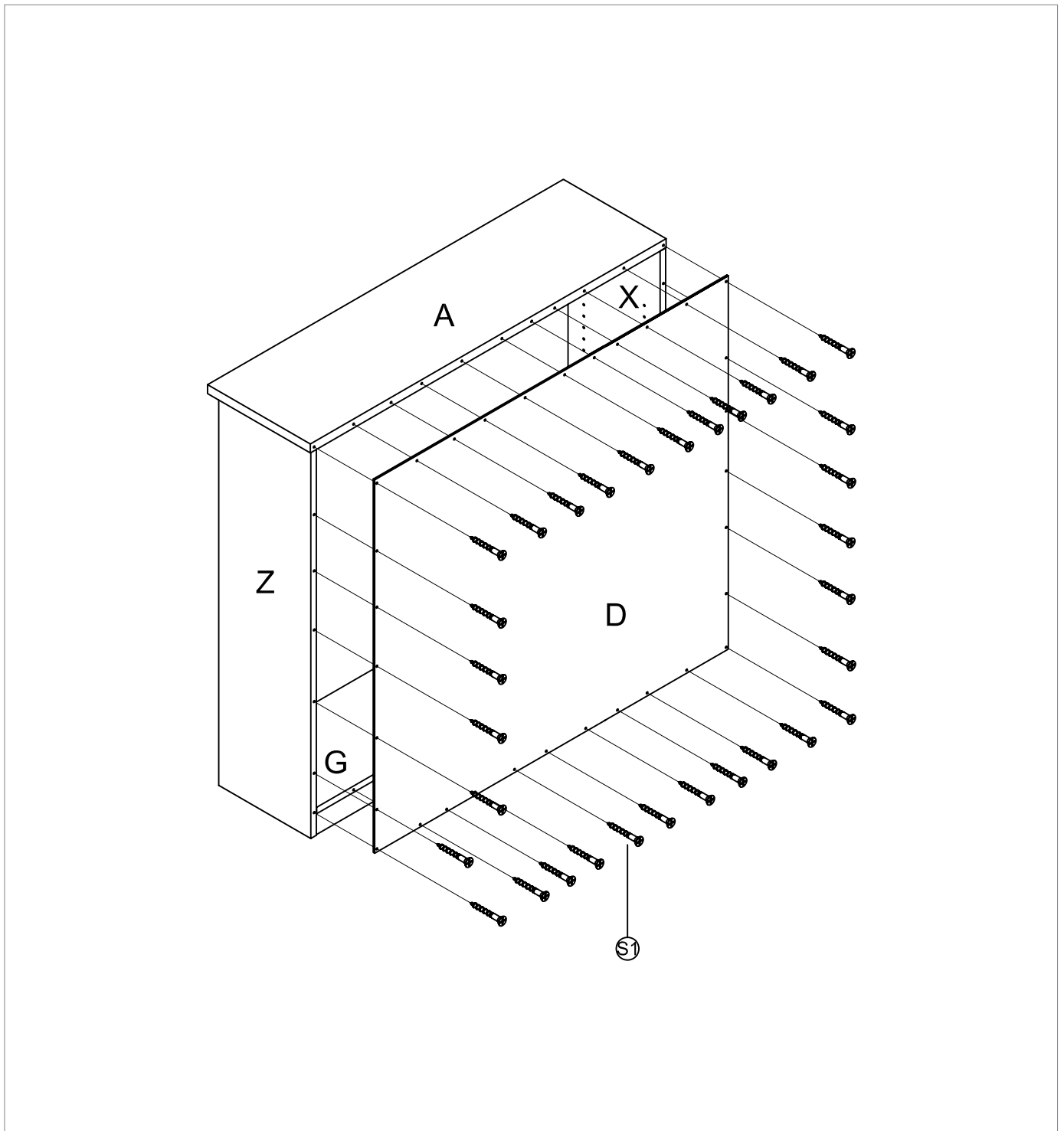
Step 4

Insert cam bolts (c1) on panel A into cams on panel X, Z, G and O, then tighten in a clockwise direction. Place the cam covers (c2) on the top of cams.



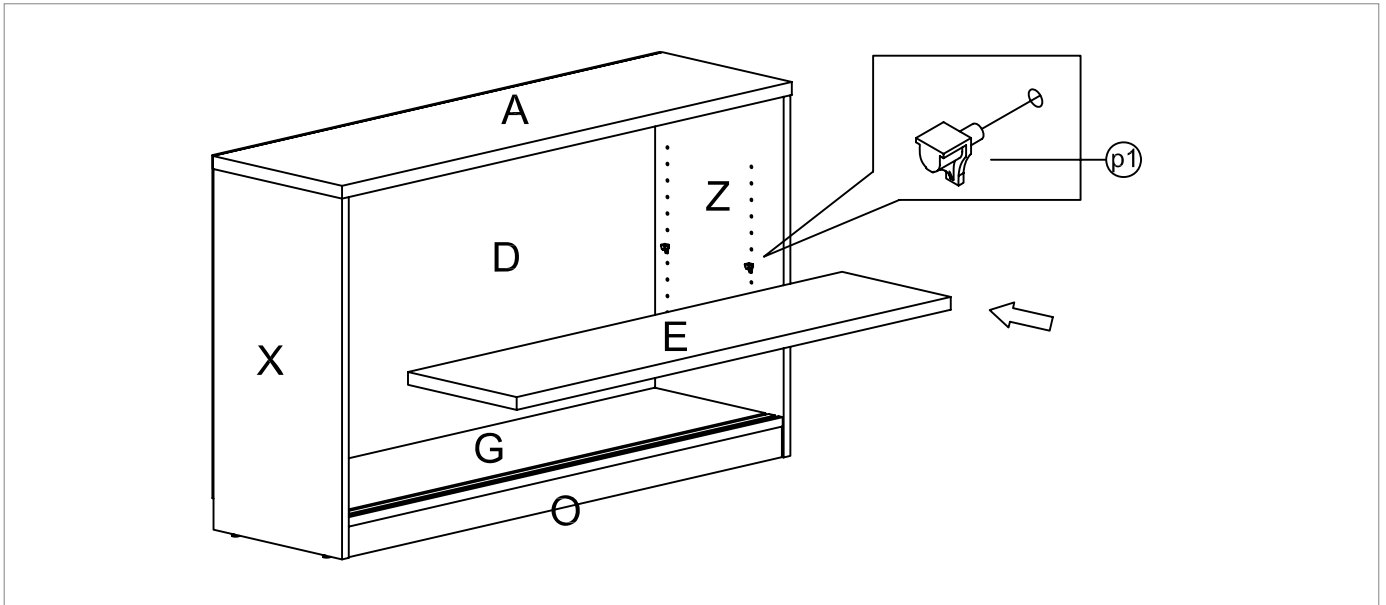
Step 5

Connect back panel D and panel X, Z, G, A with screws (s1) as illustrated.



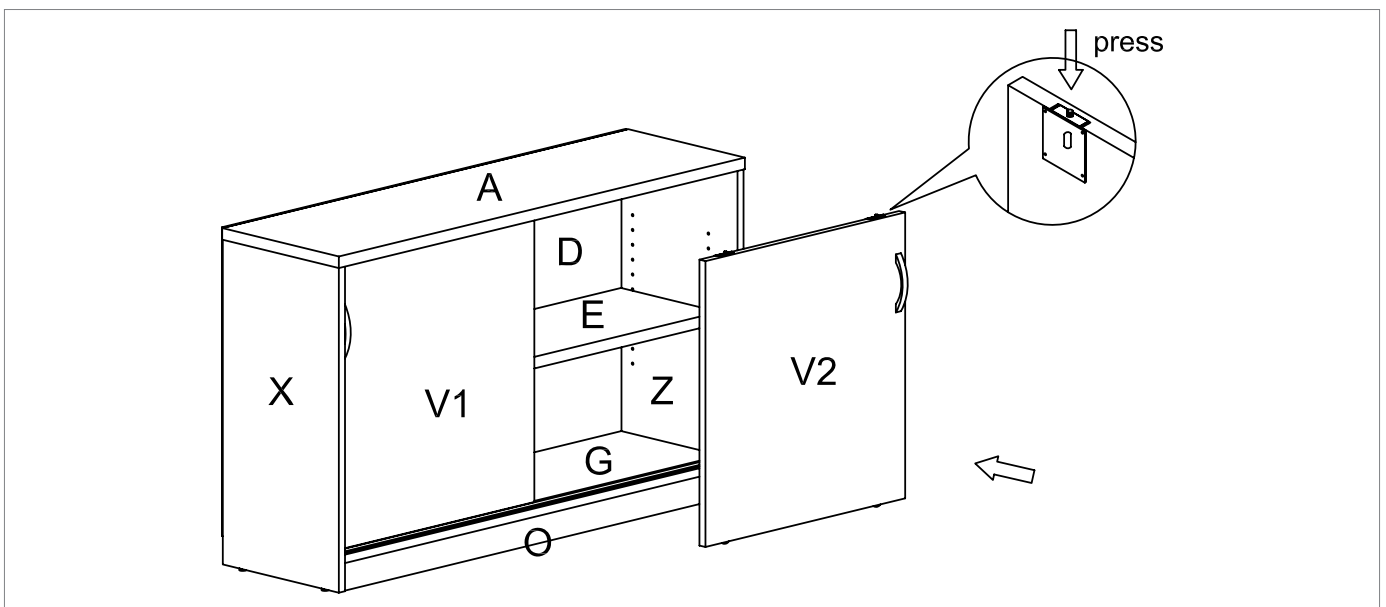
Step 6

Insert threaded dowel pins (p1) into panels X and Z. Place panel E on the top of threaded dowel pins (p1) as illustrated.



Step 7

Credenza door V1 and V2 assembly.



Complete

