

# EIFFEL MEETING TABLE

## Assembly Instructions

Thank you for your purchase

Please follow the instructions for correct assembly



## Hardware Supplied

Below parts may vary:



A- M8\*20 x10



B- M10\*50 x4



C- M5\*20 x11



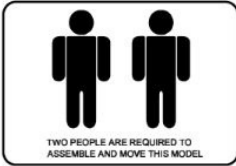
D- Feet x4



M8 Allen Key

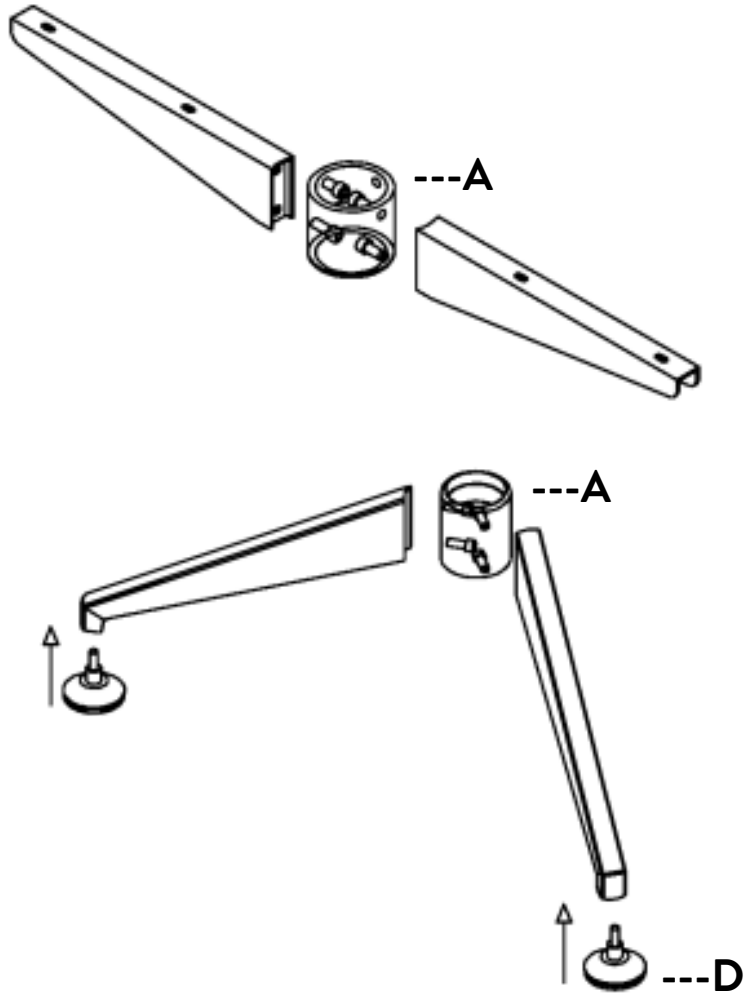


M10 Allen Key

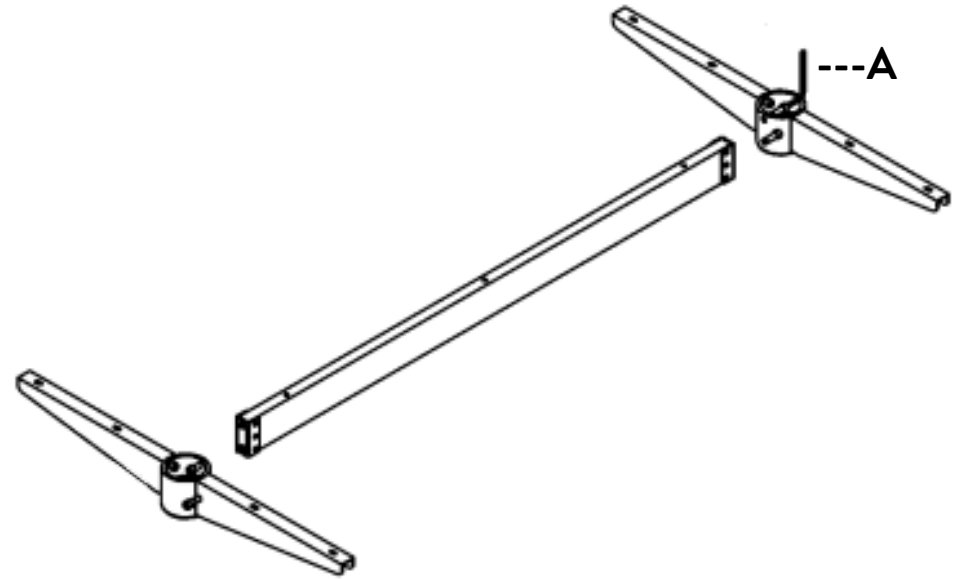


You will need a drill to assemble this unit

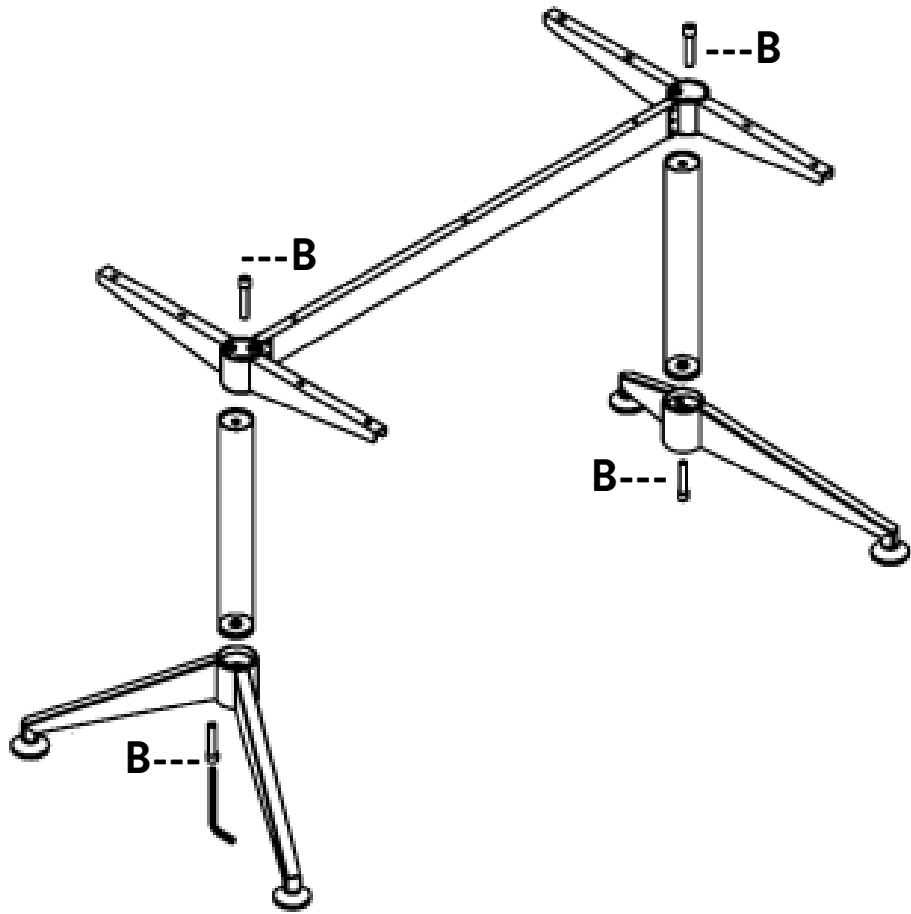
### Step 1



### Step 2



### Step 3



### Step 4

