

EIFFEL CONFERENCE TABLE

Assembly Instructions

Thank you for your purchase

Please follow the instructions for correct assembly



Hardware Supplied

Below parts may vary:



A- M8*20 x40



B- M8*30 x2



C- M10*50 x8



D- M5*20 x16



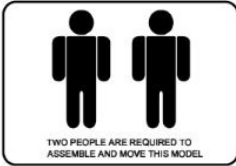
E- Feet x4



M8 Allen Key

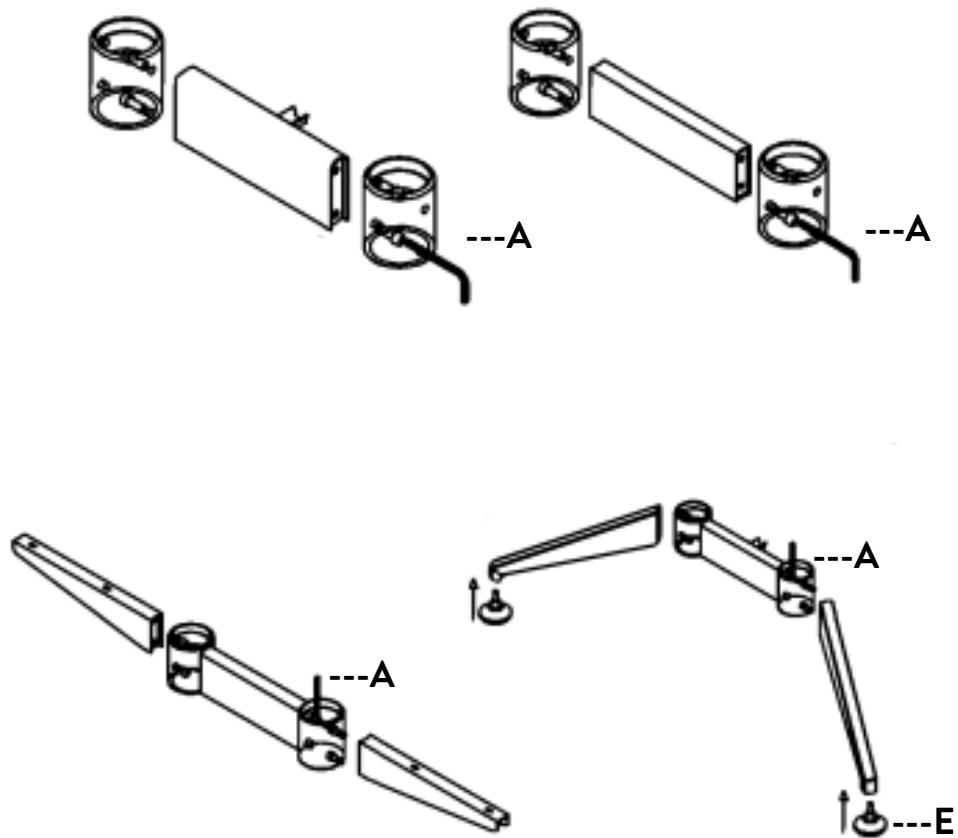


M10 Allen Key

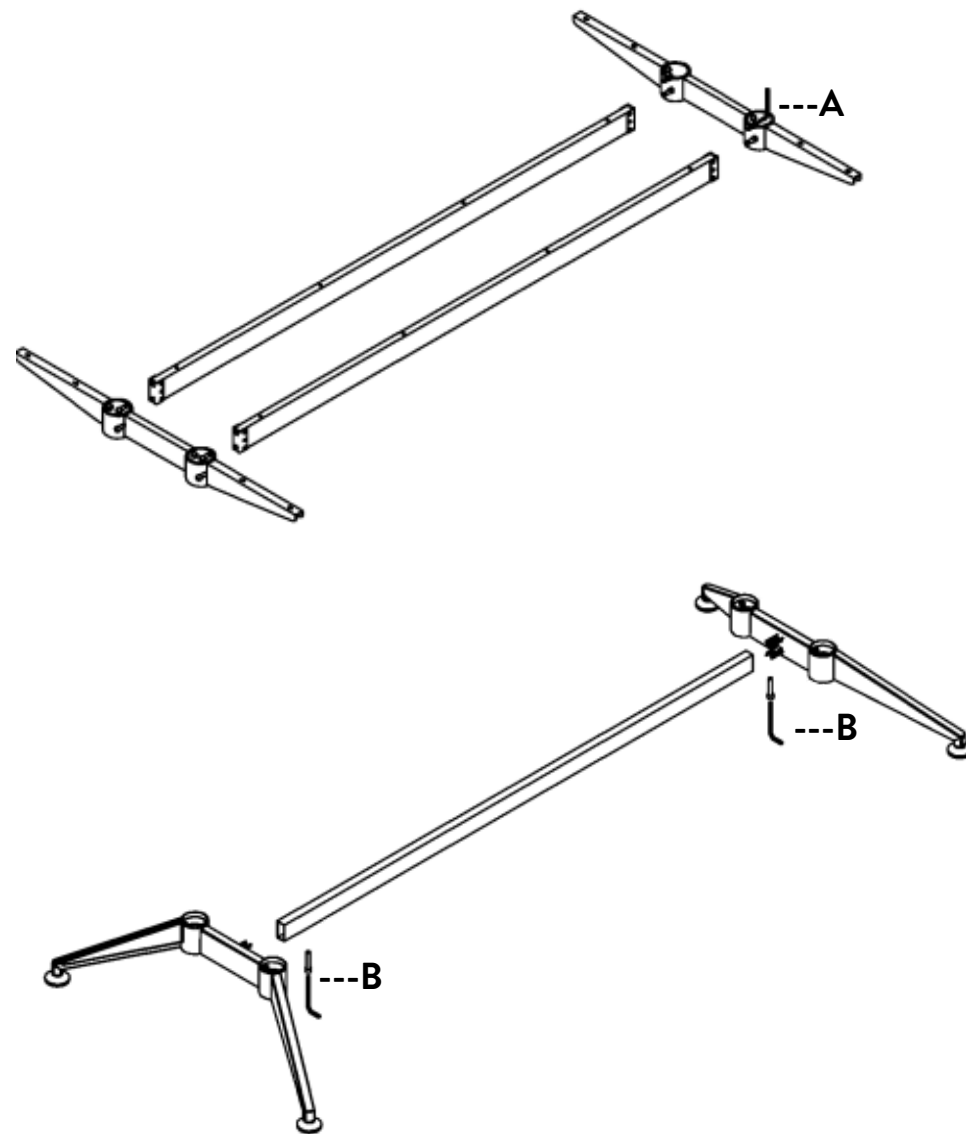


You will need a drill to assemble this unit

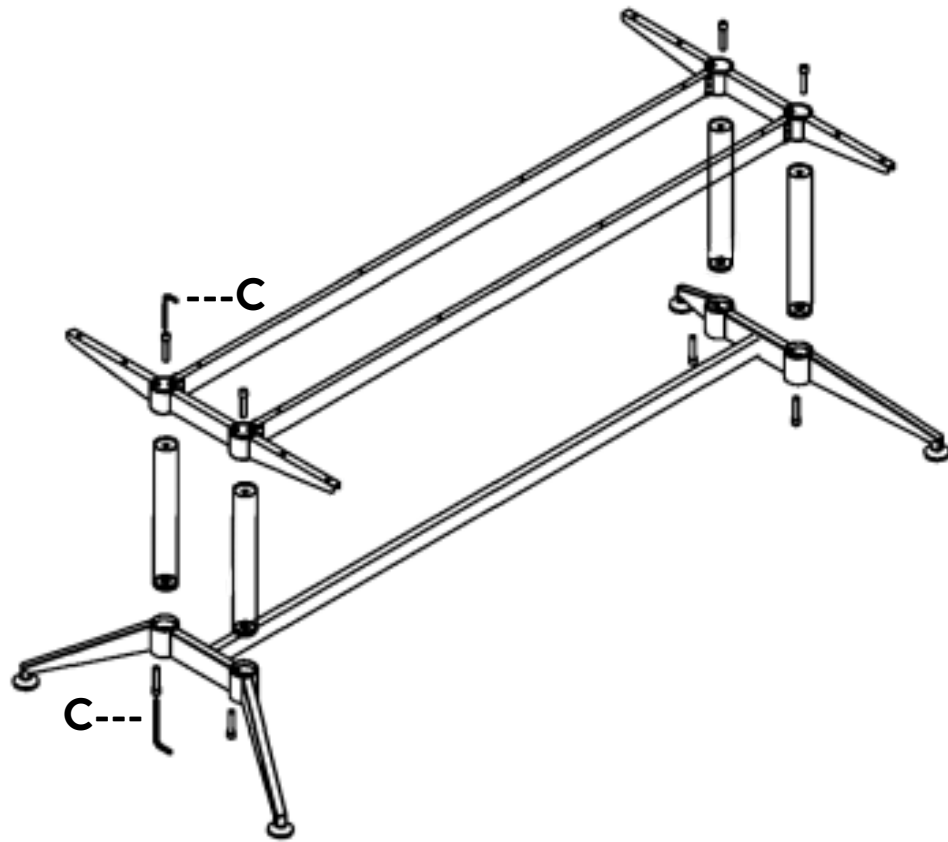
Step 1



Step 2



Step 3



Step 4

