

# Cubit Workstation

## Assembly Instructions

**Tools Required:** Powered Screwdriver

---

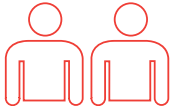


# Cubit Workstation

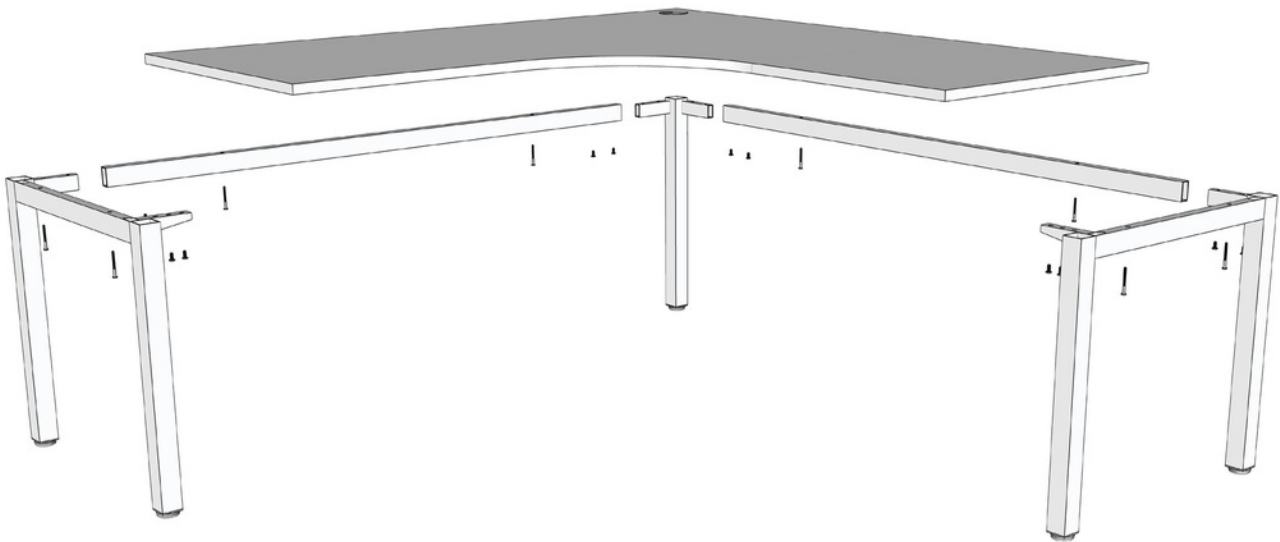
## Assembly Instructions

---

- To prevent possible scratches or damage, assemble the product upside down on a soft surface such as a blanket, carpet or packaging.
- Attach leg to the top assembly by using bolts, spring washer, flat washer. Tighten using the allen wrench.

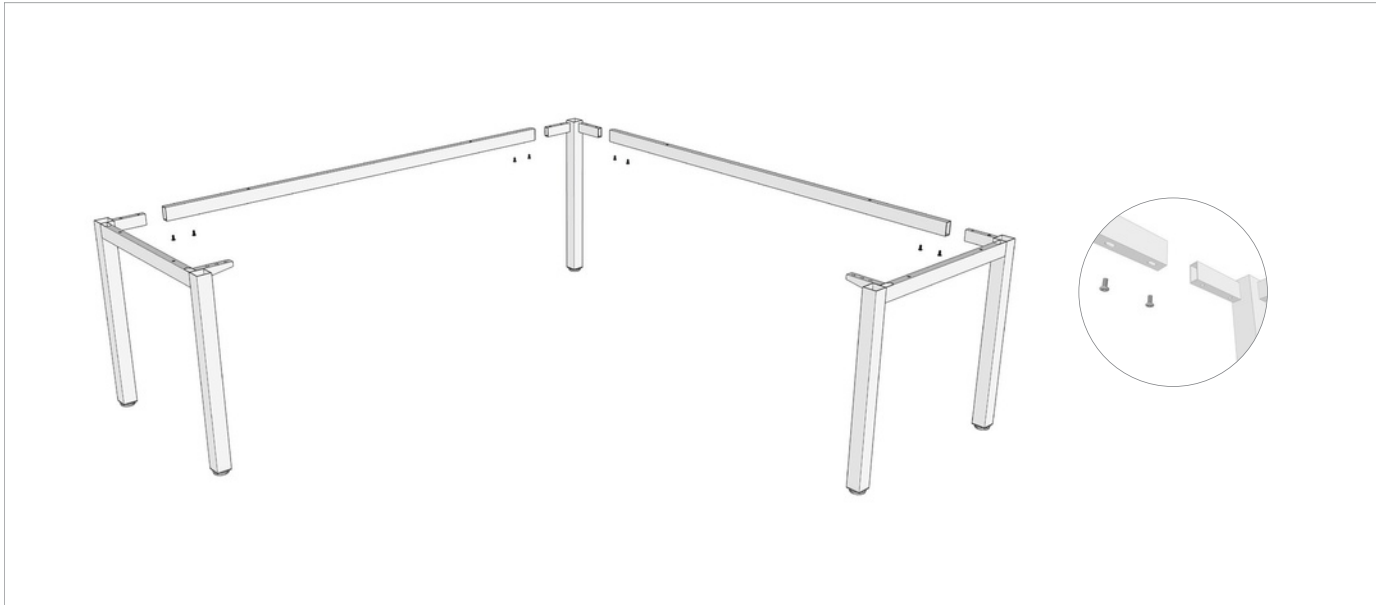


**Recommended  
2-person Step**



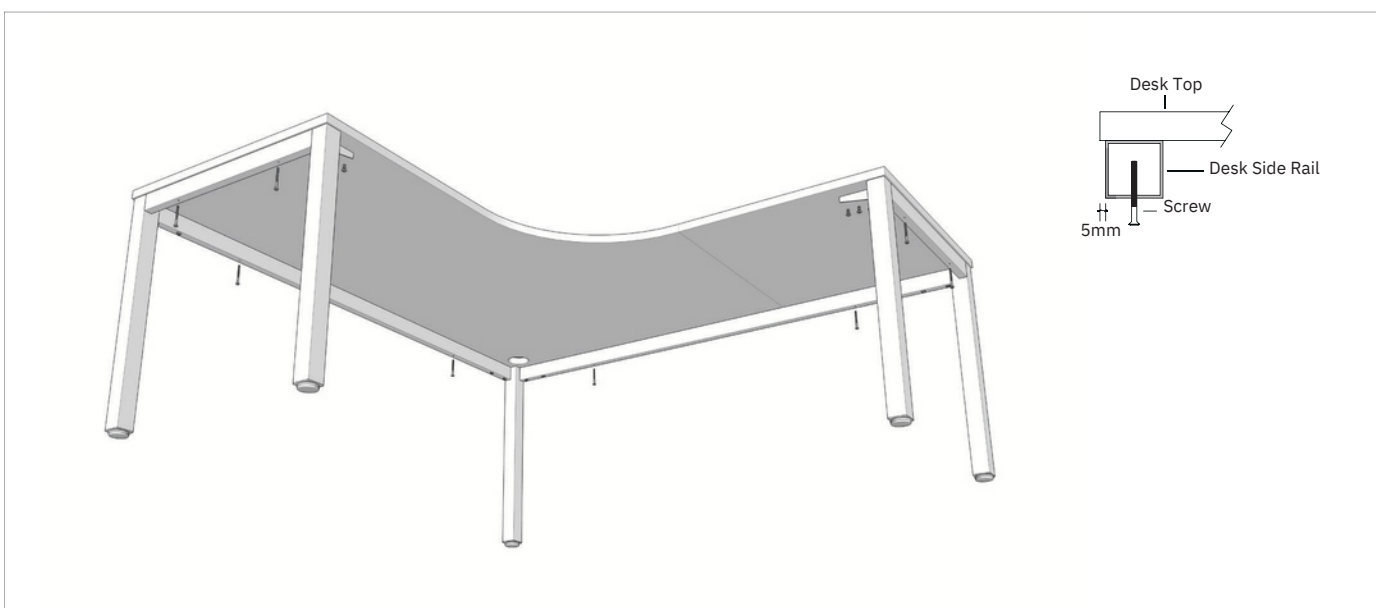
### Step 1

Assemble frames & rails together, loosely (1 turn from tight).



### Step 2

Fix desk top with 5mm overhang over metal frame. Lastly, fully tighten all rail to frame screws.



## Complete

---

