

# Cubit Credenza

## Assembly Instructions

**Tools Required:** Powered Screwdriver



# Cubit Credenza

## Assembly Instructions

---

Thank you for purchasing Knight product, please carefully read the assembly instructions prior to installment to gain a complete understanding of the product. It provides you with important information about the safety, use, installation and maintenance.

**WARNING: FAILURE TO COMPLY WITH OR OBSERVE ALL ASSEMBLY, SAFETY AND OPERATION INSTRUCTIONS REGARDING THE USE OF THIS PRODUCT MAY RESULT IN SERIOUS BODILY INJURY.**

### SAFETY

- The product must be used in a safe manner. Inappropriate use may cause damage to the product and/or cause bodily harm to the user or persons nearby.
- Don't locate furniture in direct sunlight or near air-conditioning inlet or heating radiator.
- Don't put high-temperature or frozen objects on furniture.
- Safely carry product to location of assembly.
- Retain this operation manual and pass it on to any future owner.

### SET UP AND INSTALLATION

- Assemble the product according to the assembly instructions.
- To prevent possible scratches or damage, assemble the product on a soft surface such as a blanket, carpet or packaging.
- Place the product a safe distance from window frames, radiators, furniture etc. so that persons cannot become trapped.

It is recommended that this product is assembled by 2 people.

**Any questions contact Knight on 0800 143 143**

Due to continuous improvement of our products, our assembly instructions may not be in complete accordance with the product and we apologise in advance.

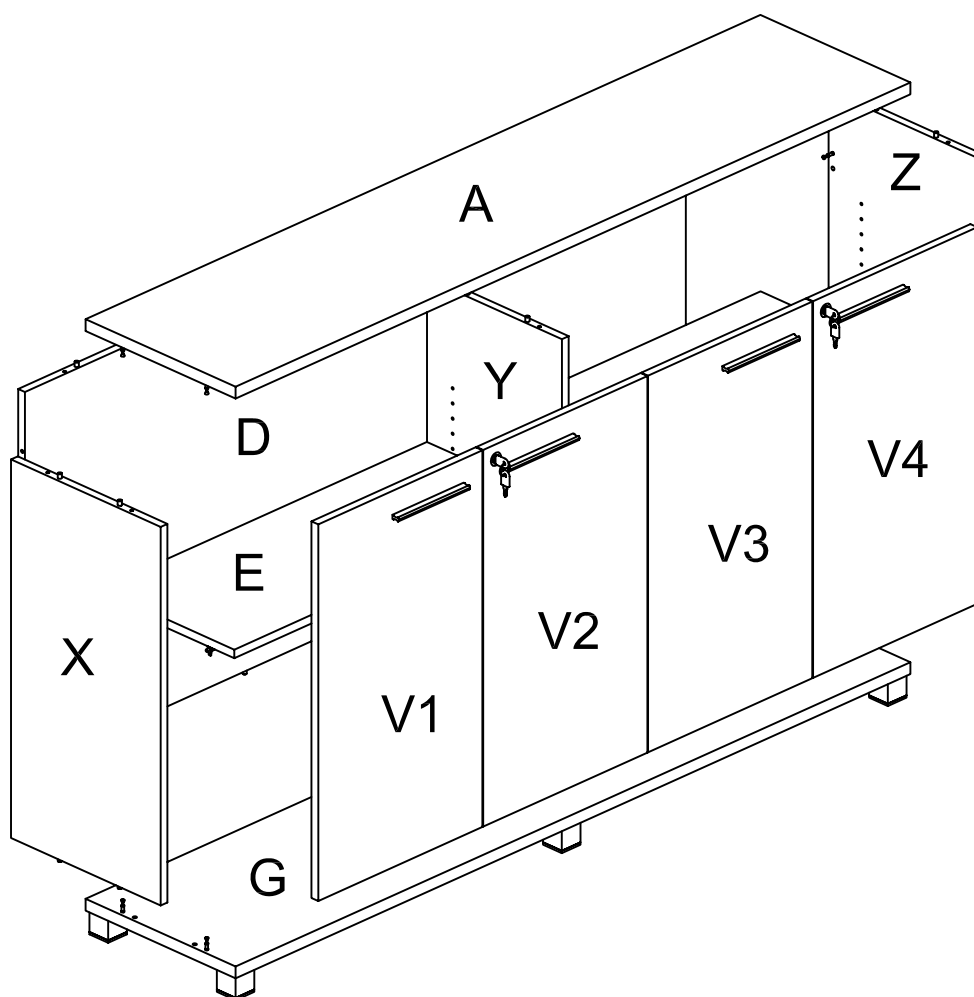


# Cubit Credenza

## Assembly Instructions

### Parts

Item	Description	Quantity
A	Top Panel	1
X	Left Side Panel	1
Z	Right Side Panel	1
D	Back Panel	1
G	Bottom Panel	1
E	Moveable Shelf	2
Y	Vertical Panel	1
V1	Door Panel	1
V2	Door Panel	1
V3	Door Panel	1 </td
V4	Door Panel	1



# Cubit Credenza

## Assembly Instructions

### Parts

Item	Description	Quantity
c1	6x35 Cam Bolt	24
d1	8x30 Dowel Pin	24
c2	Cam Sticker	24
p1	Shelf Pin	8
s1	4x16 Screw	44
m2	Metal Leg	6
k1	Lock Catch	2
k4	Lock	2
k5	Lock Catch	2
h4	Handle	4
s7	4x22 Fix Bolt	8
g2	Big Curve Hinge & Mount Plate	4
g3	Small Curve Hinge & Mount Plate	4
s13	4x25 Screw	18



c1 6x35 Cam Bolt



d1 8x30 Dowel Pin



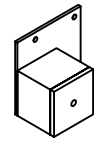
c2 Cam Sticker



s1 4x16 Screw



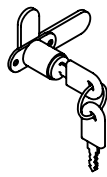
p1 Shelf Pin



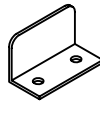
m2 Metal Leg



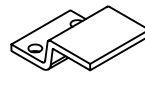
s13 4x25 Screw



k4 Lock



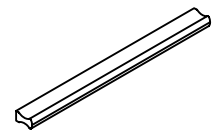
k1 Lock Catch



k5 Lock Catch



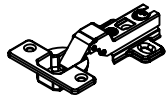
s7 4x22 Fix Bolt



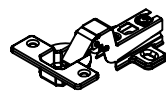
h4 Handle



Cam  
(pre-installed)



g2 Big Curve Hinge & Mount Plate  
(V1 and V4)



g3 Small Curve Hinge & Mount Plate  
(V2 and V3)

### IMPORTANT:

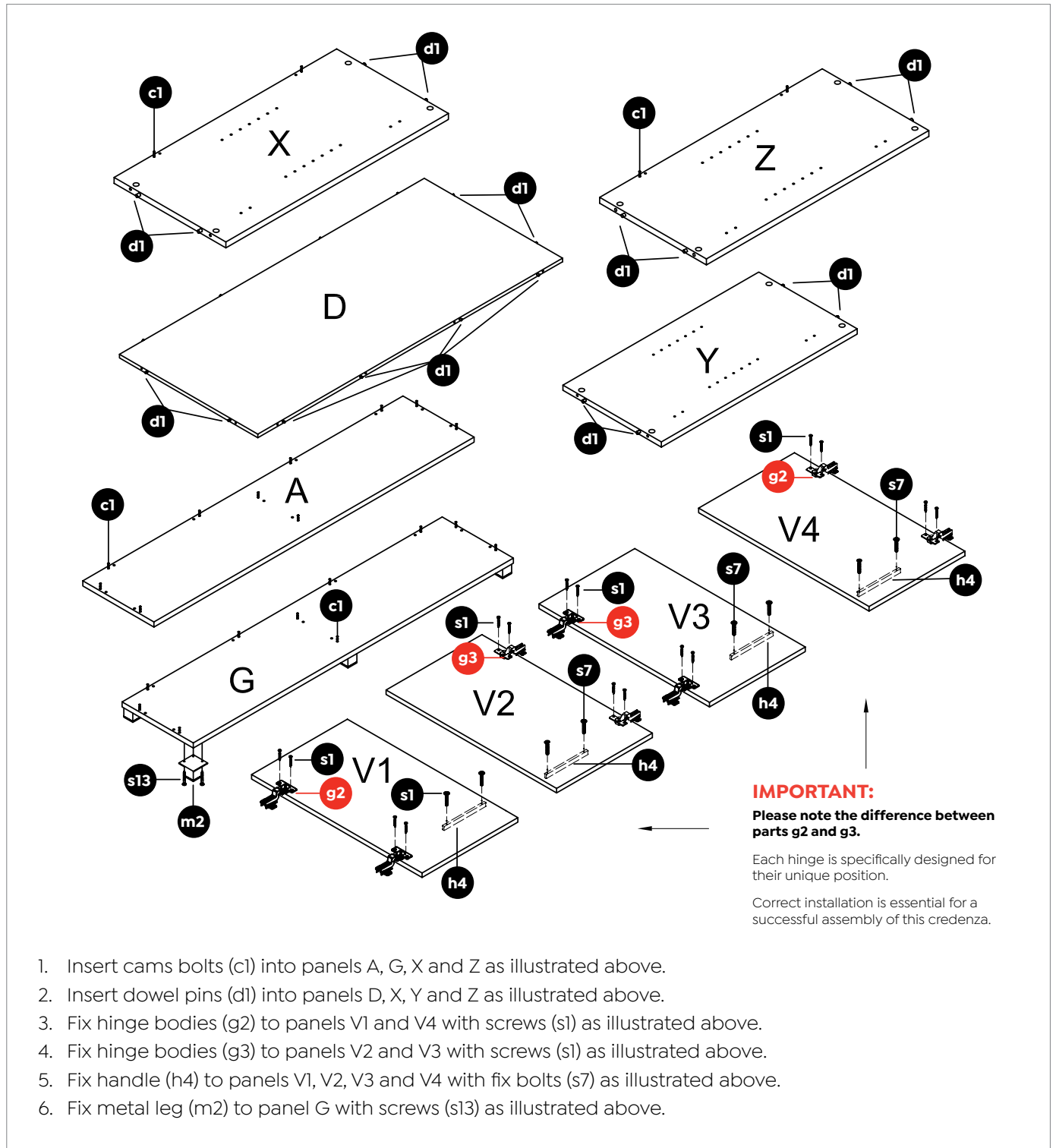
Please note the difference between parts g2 and g3.

Each hinge is specifically designed for their unique position.

Correct installation is essential for a successful assembly of this credenza.

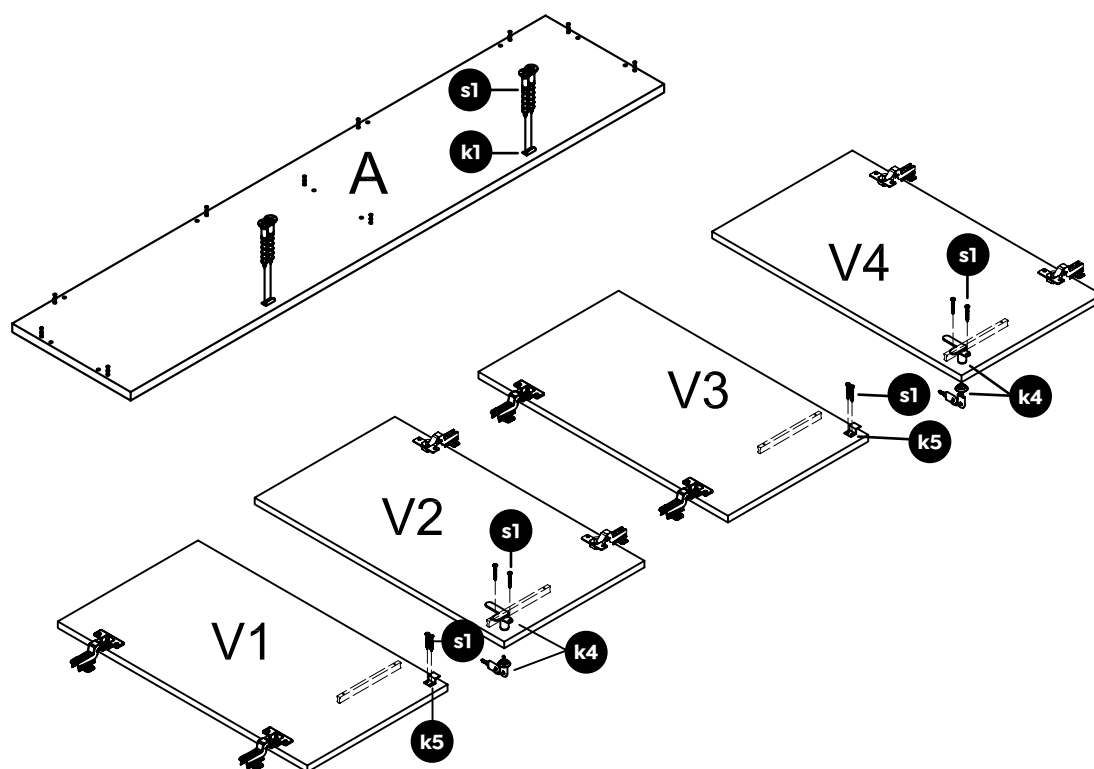
### Step 1

Preparation for top panel A, bottom panel G, back panel D, left side panel X, right side panel Z, vertical panel Y, door panel V1, V2, V3 & V4.



### Step 1a

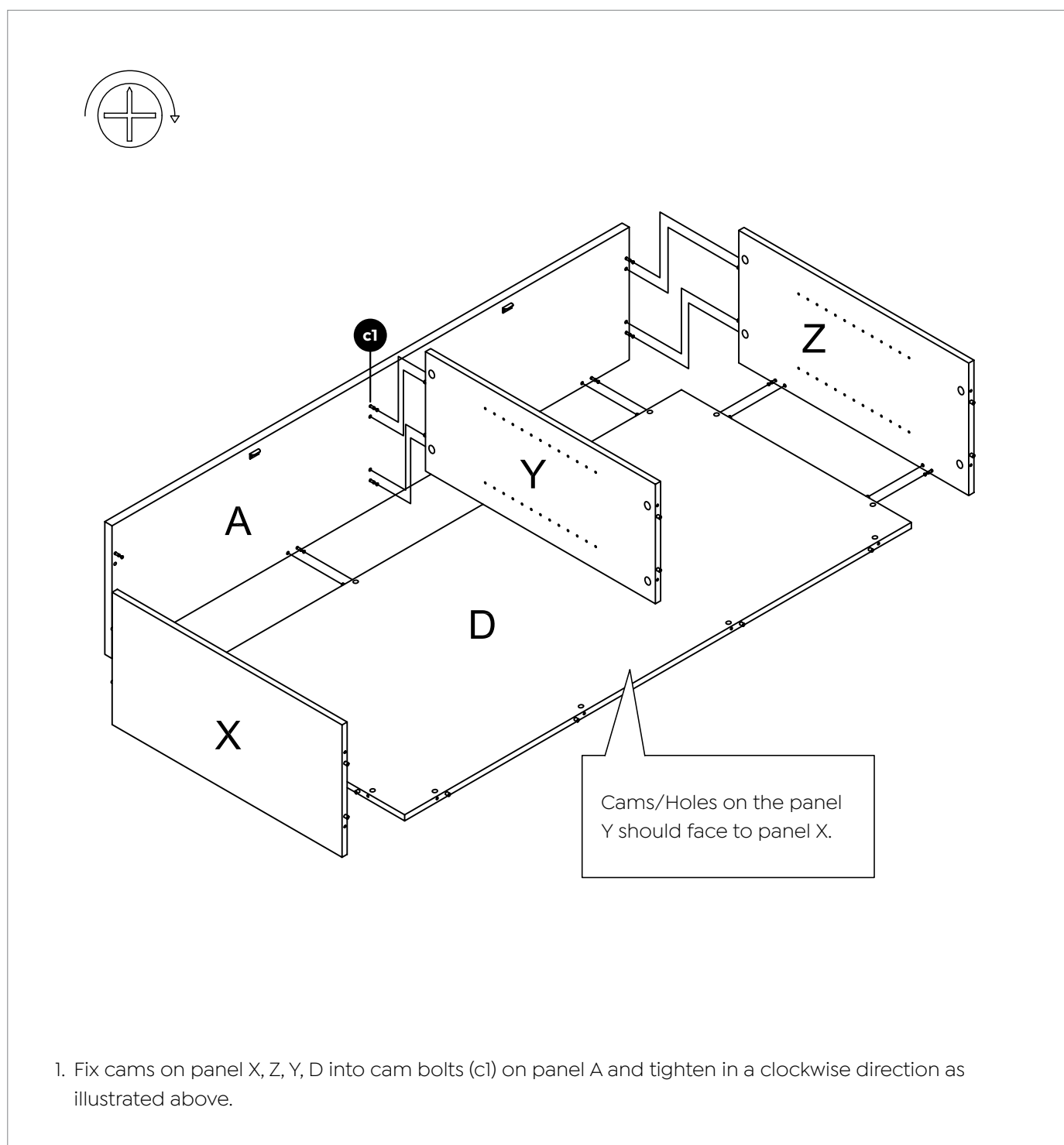
Installation of lock and lock catches on door panels V1, V2, V3, V4 and top panel A.



7. Fix lock (k4) to panel V2 and V4 with screws (s1) as illustrated above.
8. Fix lock catch (k5) to panel V1 and V3 with screws (s1) as illustrated above .
9. Fix lock catch (k1) to panel A with screws (s1) as illustrated above.

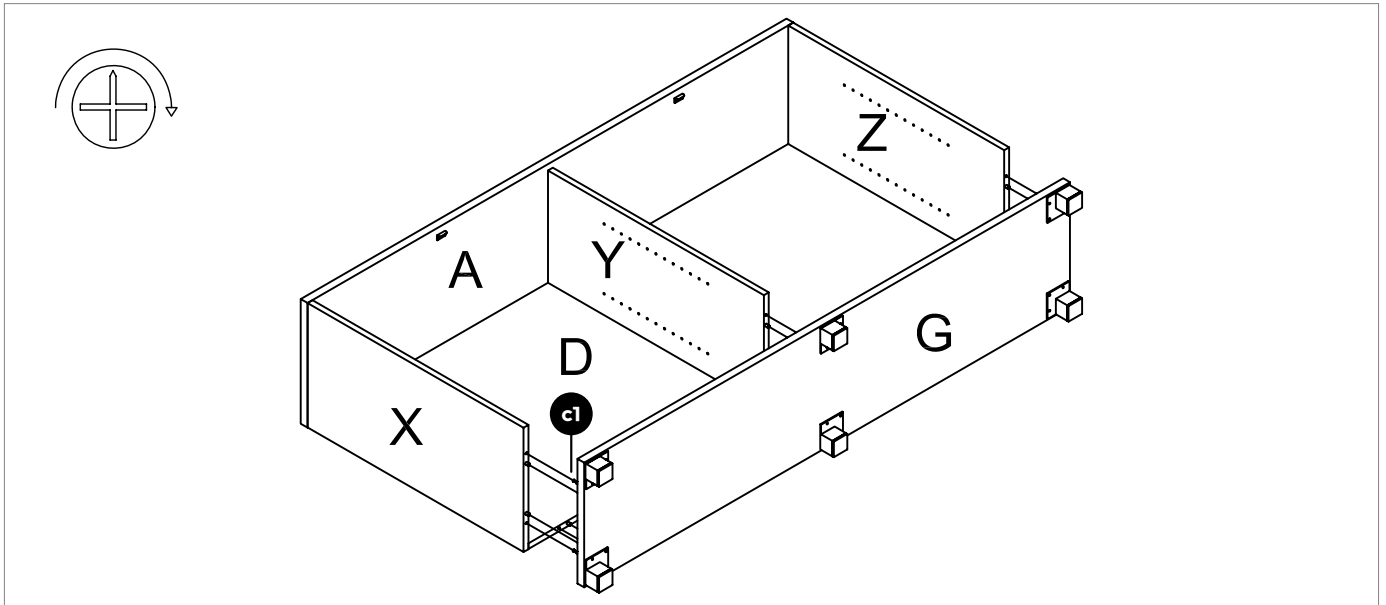
## Step 2

Top panel A, back panel D, left side panel X, right side panel Z, vertical panel Y assembly.



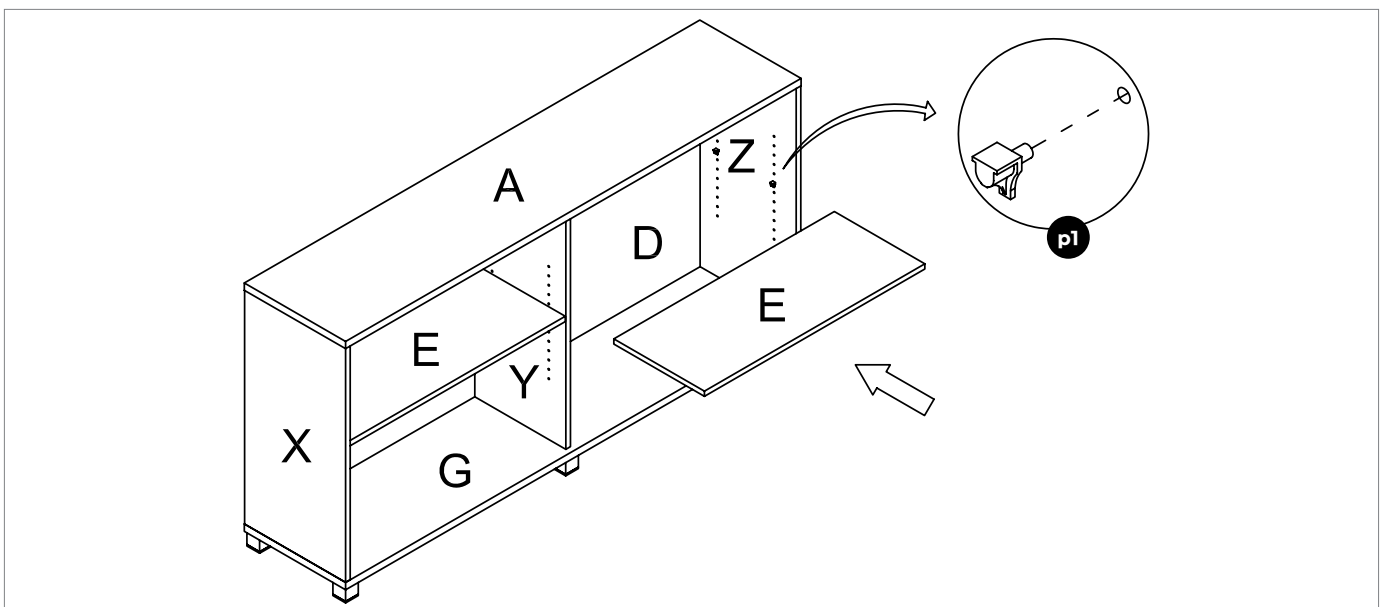
### Step 3

Fix cams on panel X, Y, Z and D into cam bolts (c1) on panel G and tighten in a clockwise direction as illustrated. Use cam stickers (c2) to cover the top of all the cams on the inner side of panels X, Y, Z and D.



### Step 4

Insert shelf pins (p1) into panels X, Z and Y at desired shelf height. Put the two panels E on the top of shelf pins (p1) as illustrated below.



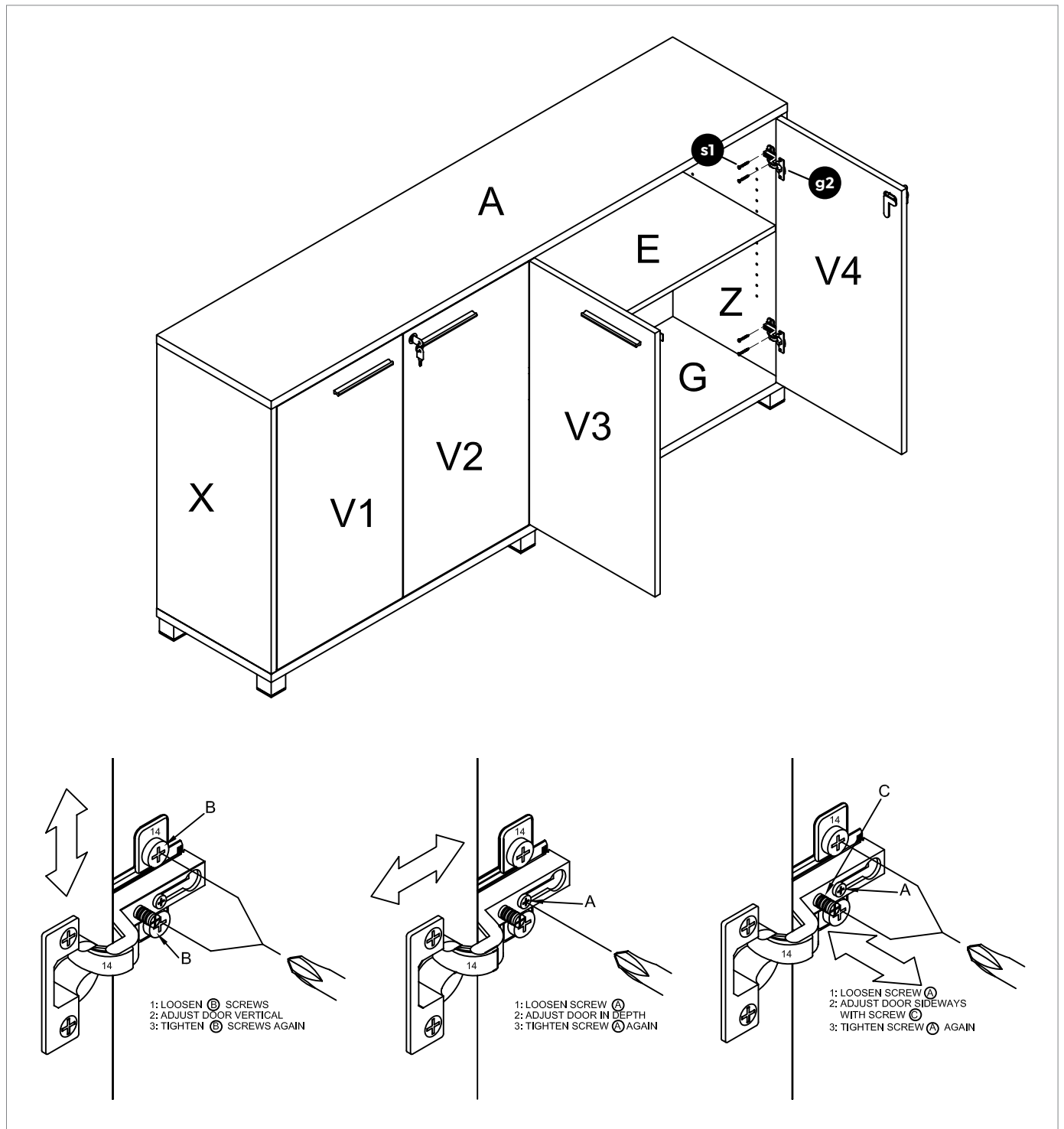


### Step 5

Door panel V1, V2, V3 and V4 assembly.

Fix hinge bodies (g2) on door panels V1 and V4 to panels X and Z with screws (s1) as illustrated.

Fix hinge bodies (g3) on door panels V2 and V3 to panels Y with screws (s1) as illustrated.



## Complete

---

