

# Cubit Bookcase 1200H

## Assembly Instructions

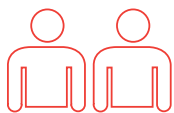
**Tools Required:** Powered Screwdriver



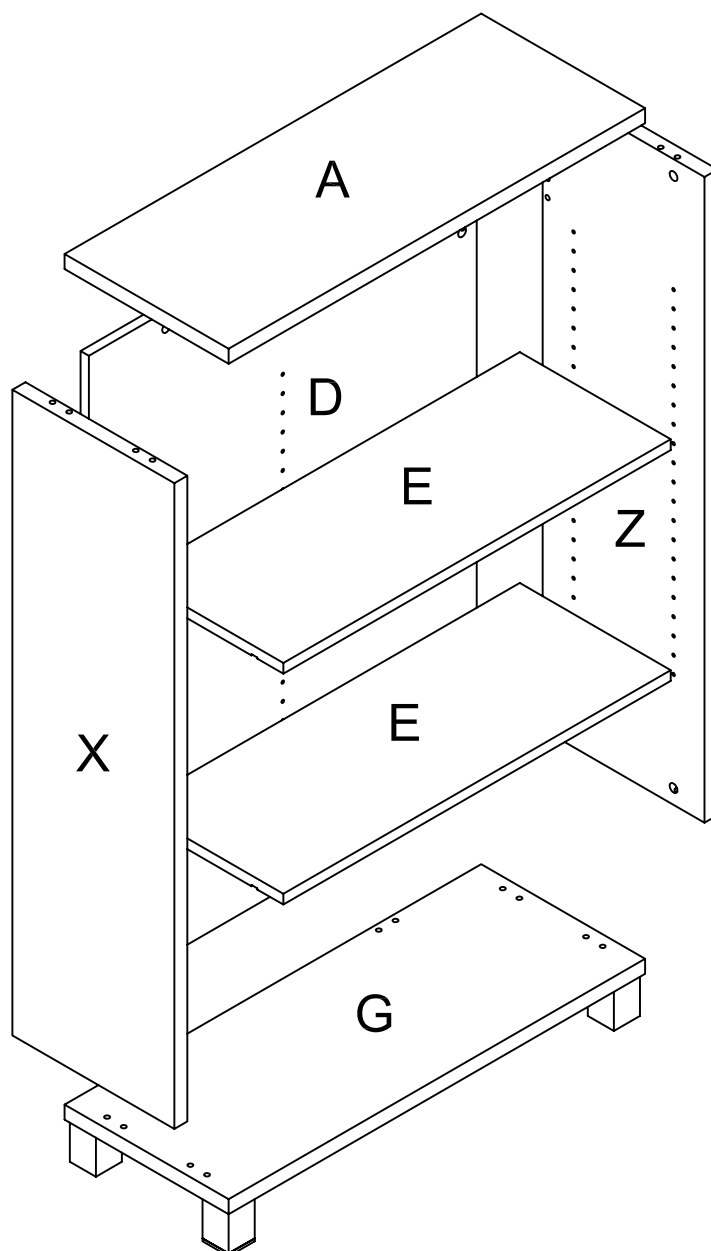
# Cubit Bookcase 1200H

## Assembly Instructions

- To prevent possible scratches or damage, assemble the bookcase on a soft surface such as a blanket, carpet or packaging.



**Recommended  
2-person Step**



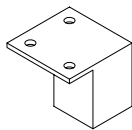
## Assembly Instructions

### Parts

Item	Description	Qty	Item	Description	Qty
A	Top Panel	1	<b>C2</b>	5/8" Cam Cover	18
X	Left Side Panel	1	<b>P1</b>	Threaded Dowel Pin	10
Z	Right Side Panel	1	<b>S1</b>	4x25 Screw	12
D	Back Panel	1	<b>M2</b>	Metal Feet	4
G	Bottom Panel	1			
E	Moveable Shelf	2			



**P1** 10 x Thread Dowel Pin



**M2** 4 x Metal Feet



**C2** 18 x 5/8" Cam Cover



**S1** 12 x 4x25 Screw



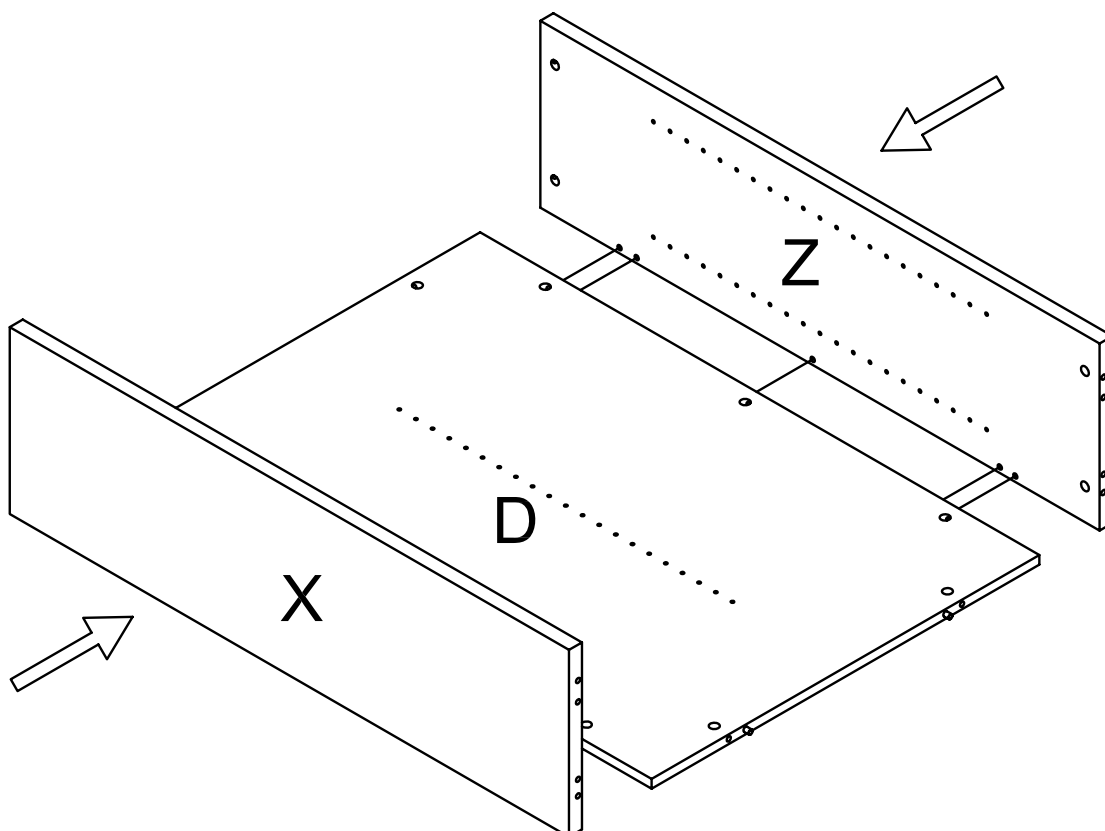
**C5** Cam - Pre-installed part

### Step 1

---

#### Preparation for panels X, Z and D.

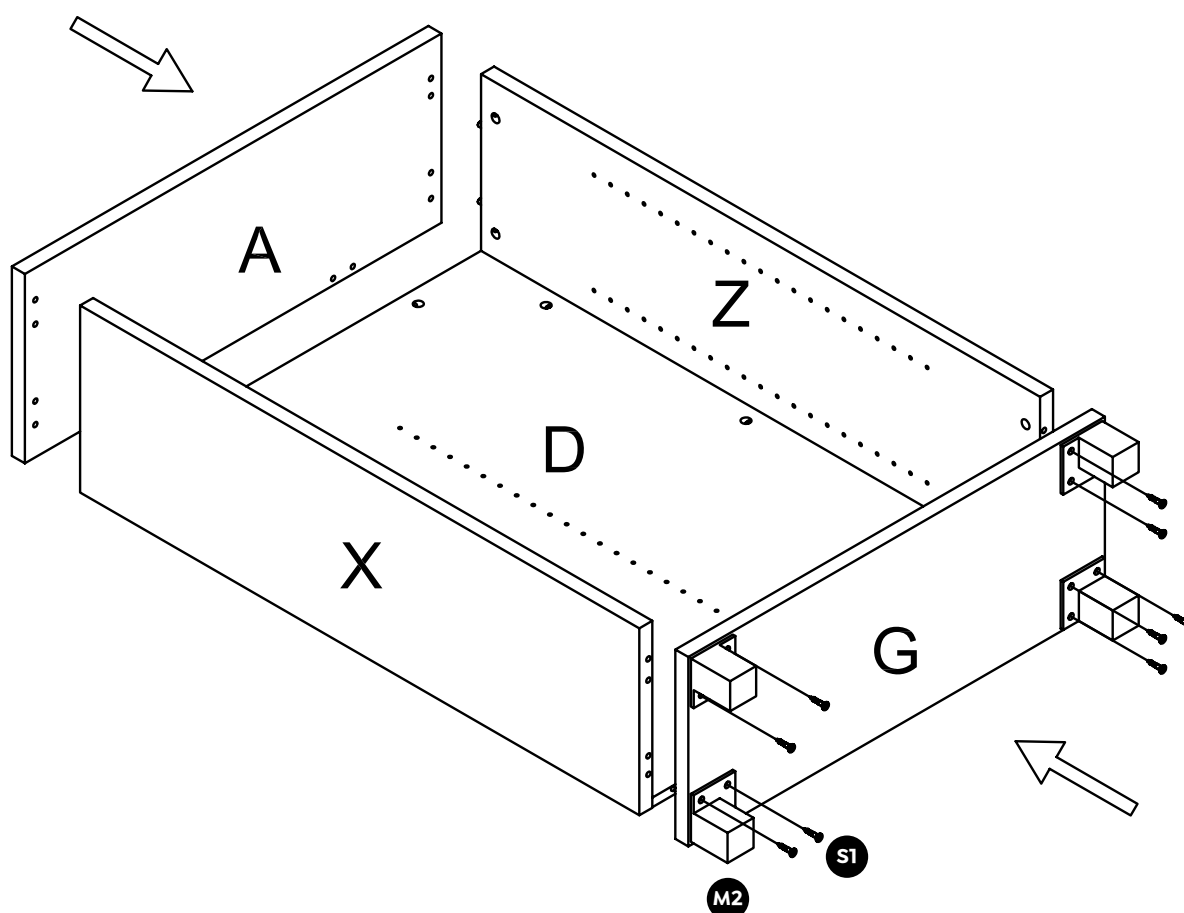
Connect cam bolts and dowels on panel **D** to the holes on panel **X, Z** and tighten in a clockwise direction as illustrated below.



### Step 2

#### Preparation for panels X, Z, D, A and G.

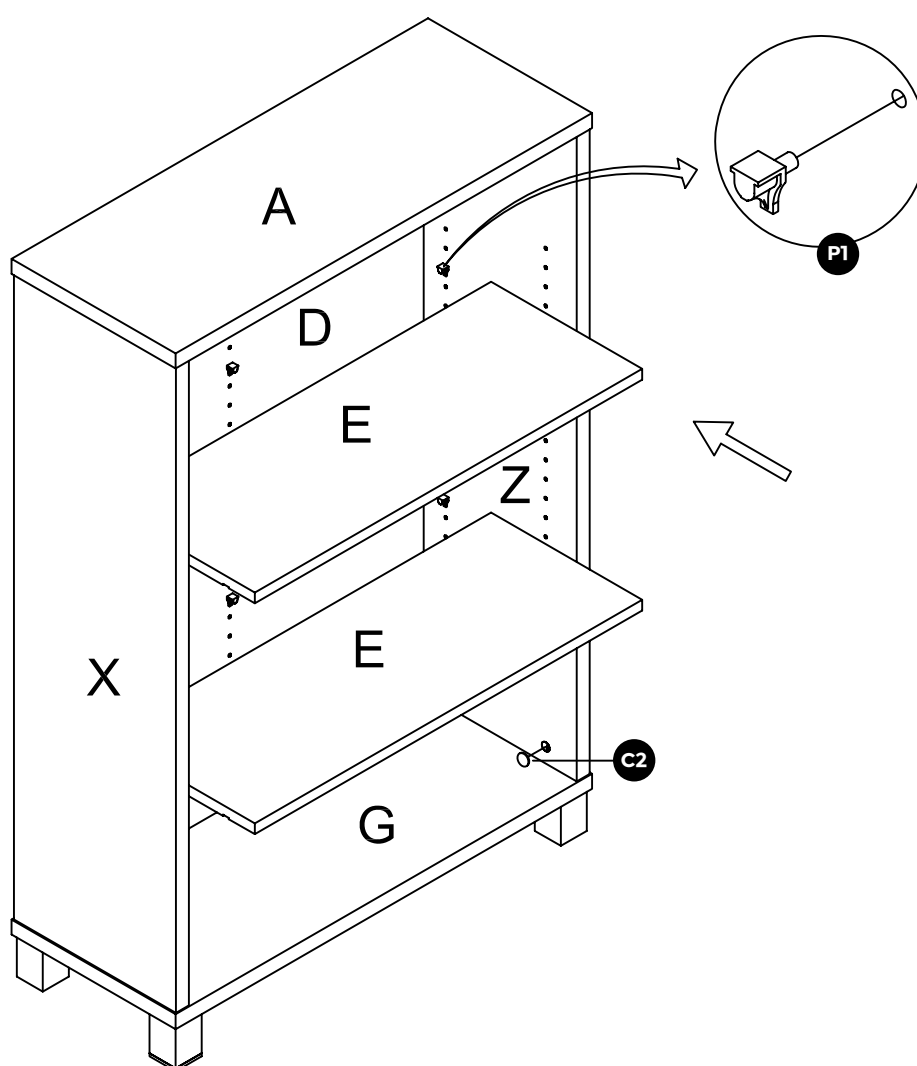
Connect cam bolts and dowels on panel **X**, **Z** and **D** to the holes on panel **A** and **G** and tighten in a clockwise direction. Fix metal feet **M2** to the bookcase bottom panel with screws **S1** as illustrated below.



### Step 3

#### Moveable shelf assembly.

Insert adjustable shelf support pins **P1** into panels **X** and **Z**. Place panels **E** on the top of the shelf support pins **P1** as illustrated below.



### Completed

---

