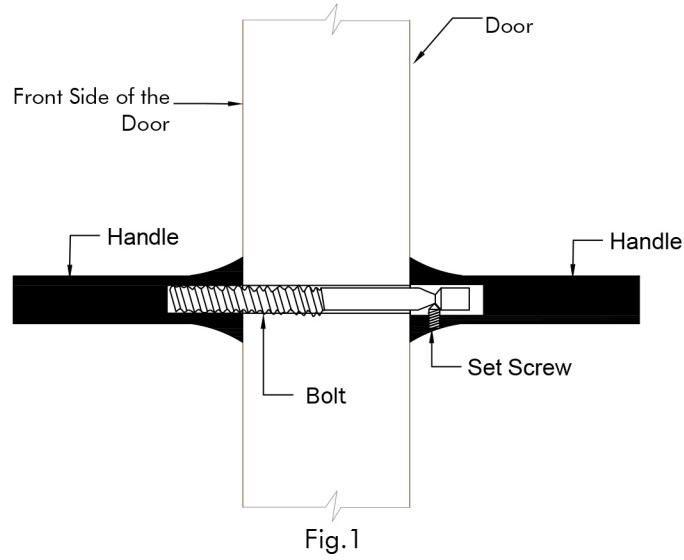
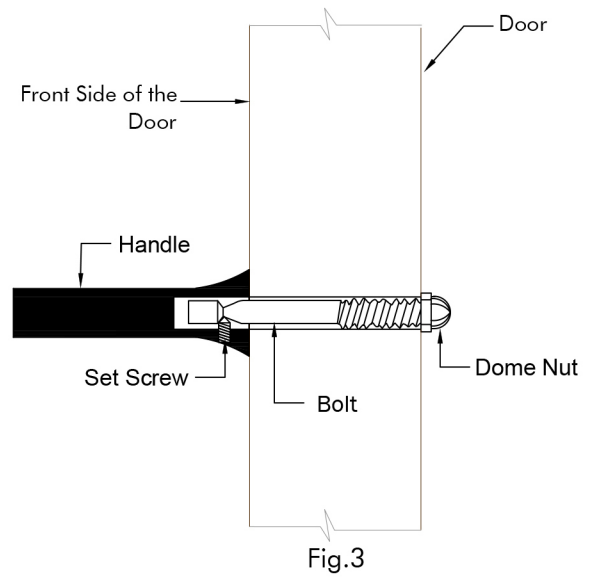
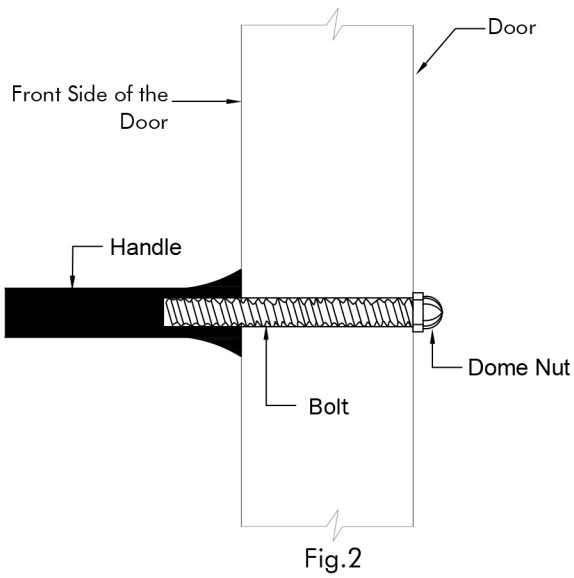


Fixation Details for Double Sided Pull Handle



Fixation Details for Single Sided Pull Handle



9mm \varnothing clearance hole required.