

Air-Cooled Argon-Ion Laser Heads in Cylindrical Package

2213 Series



Lumentum's air-cooled argon lasers are designed for complex, high-resolution OEM applications such as flow cytometry, DNA sequencing, graphic arts, and semiconductor inspection.

Symmetric design and axial airflow in the cylindrical argon ion laser heads provide the best mechanical package to ensure optimum beam-pointing stability and fast warm-up. Both initial installation and routine maintenance are straightforward due to tight production control of optical and mechanical tolerances. Blower-induced mechanical vibration is virtually eliminated through the use of flexible ducting between the laser head and blower assembly.

Key Features

- Integral-mirror, metal-ceramic construction
- Hands-off operation
- Ultralow noise
- Fast warm-up
- Rugged construction
- Vibration isolation
- Ultrastable resonator and beam pointing

Applications

- DNA sequencing
- Flow cytometry
- Confocal microscopy
- Semiconductor inspection
- Hematology
- High-speed printing
- Photo processing

Compliance

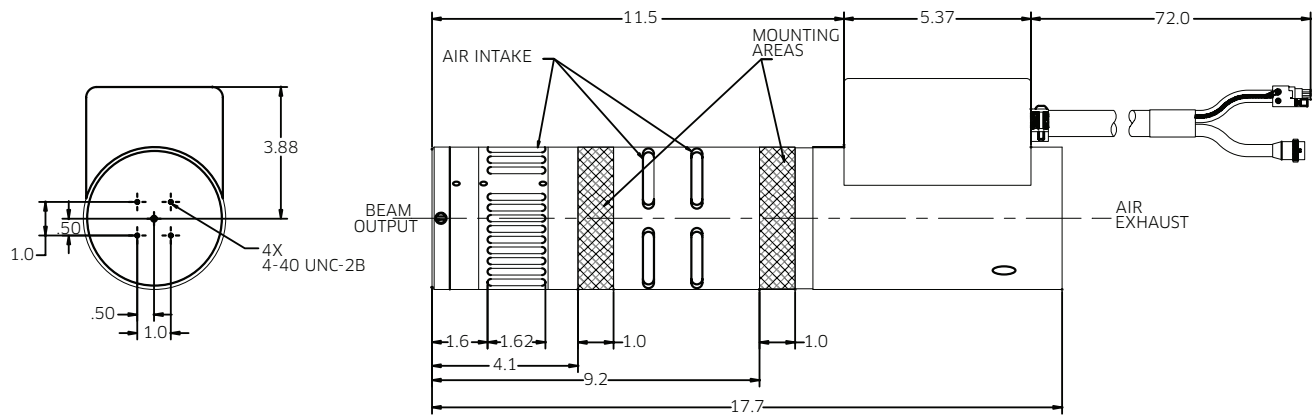
- CE per specification EN55011 and EN50082-2
- UL 1950 and 1262
- CDRH 21 CFR 1040.10
- CUL
- EN60825-2
- EN60950, IEC 950 and EN61010



Photonic Solutions Ltd Unit 2.2, Quantum Court, Research Avenue South,
HWU Research Park, Edinburgh, EH14 4AP, UK, Tel: +44 (0)131 664 8122
Email sales@photronicsolutions.co.uk Web www.photronicsolutions.co.uk

2213 Series Cylindrical Head

(Specifications in inches unless otherwise noted. E-vector is aligned with the umbilical cable.)



Specifications

| Parameter | 2213 -75SL | 2213 -15VL | 2213-25VL |
|---|------------------|------------------|------------------|
| Optical | | | |
| Output power (TEM ₀₀ , mW) | 75 | 15 | 25 |
| Wavelength (nm) | 488 | 458 | 458 |
| Mode purity (TEM ₀₀) | >95% | >95% | >95% |
| Beam diameter (1/e ² ±5%, mm) | 0.65 | 0.65 | 0.65 |
| Beam divergence (mrad±5%) | 0.95 | 0.95 | 0.95 |
| Minimum polarization ratio | >250:1 | >250:1 | >250:1 |
| Longitudinal mode spacing (MHz) | 444 | 444 | 444 |
| Noise | | | |
| p-p, 20 Hz to 2 kHz | ≤0.1% | ≤0.1% | ≤0.1% |
| p-p, 20 Hz to 20 kHz | ≤1.0% | ≤1.0% | ≤1.0% |
| rms, 20 Hz 2 MHz | ≤1.0% | ≤1.0% | ≤1.0% |
| Maximum drift (light control mode over 2 hours) | ≤1.0% | ≤1.0% | ≤1.0% |
| Maximum warm-up time | 15 minutes | 15 minutes | 15 minutes |
| Beam pointing stability after warm-up (2 hours, 25±3°C) | <30 μRad | <30 μRad | <30 μRad |
| CDRH class | IIIb | IIIb | IIIb |
| Static alignment | | | |
| Beam position | ±0.25 mm | ±0.25 mm | ±0.25 mm |
| Beam angle | ±2.5 mrad | ±2.5 mrad | ±2.5 mrad |
| Environmental | | | |
| Temperature | | | |
| Operating | 4 to 40°C | 4 to 40°C | 4 to 40°C |
| Non-operating | -30 to 60°C | -30 to 60°C | -30 to 60°C |
| Altitude | | | |
| Operating | 0 to 10,000 feet | 0 to 10,000 feet | 0 to 10,000 feet |
| Non-operating | 0 to 70,000 feet | 0 to 70,000 feet | 0 to 70,000 feet |
| Relative humidity (non-condensing) | | | |
| Operating | 0 to 90% | 0 to 90% | 0 to 90% |
| Non-operating | 0 to 100% | 0 to 100% | 0 to 100% |
| Shock | | | |
| Operating | 25 g for 11 ms | 25 g for 11 ms | 25 g for 11 ms |
| Non-operating | 25 g for 11 ms | 25 g for 11 ms | 25 g for 11 ms |
| Physical | | | |
| Weight | 14 lbs. | 14 lbs. | 14 lbs. |
| Umbilical length | 72±2 inches | 72±2 inches | 72±2 inches |

Note:
Nominal airflow is 115 CFM. Use model 1NB412 McLean Engineering or equivalent fan rated for 185 CFM free air and typical pressure head of 1.8 inches of water.

Ordering Information

For more information on this or other products and their availability, please contact your local Lumentum account manager or Lumentum directly at customer.service@lumentum.com.

Sample: 2213-75SL

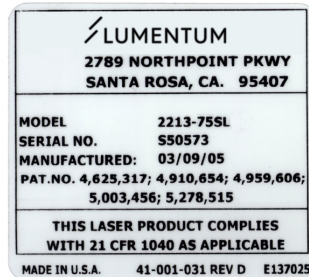
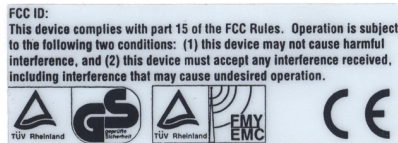
| Product Code | Description |
|--------------|--|
| 2213-75SL | Argon laser head, cylindrical package, 75 mW output power, single line operation at 488 nm |
| 2213-15VL | Argon laser head, cylindrical package, 15 mW output power, violet line operation at 458 nm |
| 2213-25VL | Argon laser head, cylindrical package, 25 mW output power, violet line operation at 458 nm |

Warranty

The 2213 laser tubes are warranted to be free from defects in materials and workmanship for 5,000 hours of operation at or below specified power, or for 12 months from the date of shipment, whichever occurs first. All other components of the laser and power supply are warranted to be free from defects and workmanship for 12 months from the date of shipment.

Regulatory Compliance

The products listed in this datasheet comply with one or more of the following regulatory standards, and may display one or more of the safety labels shown below. Contact your local Lumentum sales representative for additional information on specific products or configurations.



Photonic Solutions Ltd

Unit 2.2 Quantum Court
Heriot-Watt University Research Park
Edinburgh EH14 4AP
Tel: 0131 664 8122
Fax: 0131 449 7301
Email: sales@photronicsolutions.co.uk
Web: www.photronicsolutions.co.uk



North America
Toll Free: 844 810 LITE (5483)

Outside North America
Toll Free: 800 000 LITE (5483)

China
Toll Free: 400 120 LITE (5483)

© 2015 Lumentum Operations LLC
Product specifications and descriptions in this document are subject to change without notice.

alh2213-ds-cl-ae 10143158 902 1006