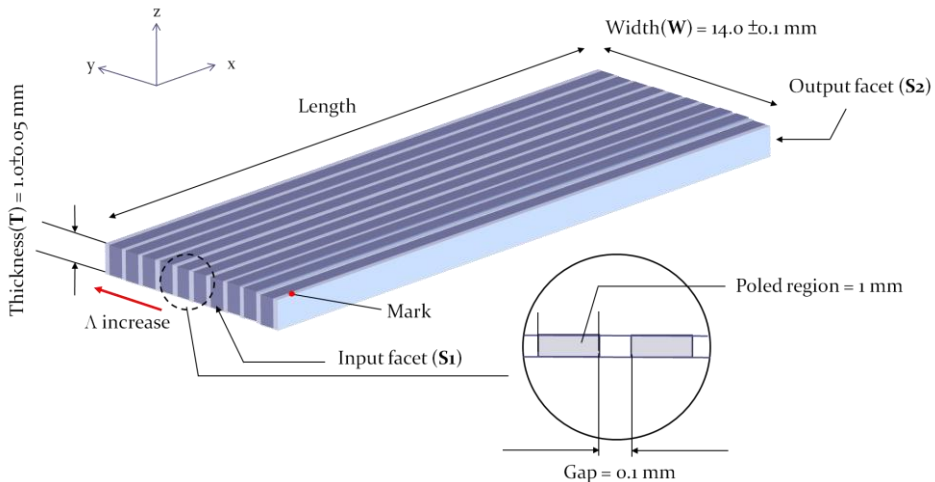


- Chip Lay-Out



[Image for reference only. Not for scale.]

- Phase Matching Tuning Curve

Items	Properties	Inspection
Material	5 mol.% MgO:LN	NA
Period (Λ , μm)	28.40, 29.00, 29.60, 30.20, 30.80, 31.40, 32.00, 32.60, 33.20, 33.60	Microscope
Main Function	Second Harmonic Generation	NA
Parallelism/Perpendicularity	$\leq 5' / 21'$	Autocollimator
Flatness	$\leq \lambda / 6$	Interferometer
Scratch/Dig	$\leq 20 / 10$	Microscope
Optical Coating (S1/S2 facets)	960-1150 (R<0.5%) /1925-2300 (R<0.5%) nm	Spectral Analyzer
Aperture Size	14.0 x 1.0 mm ² (W x T)	Cutting Machine
Available Length* ¹	0.3/0.5/1.0 mm* ¹	
Channel Clear Aperture	$\geq 80\%$ (T), $\geq 90\%$ (W)	NA

*¹ Refer to length of periodically poled. Physical length is 1.0 ± 0.1 mm.

