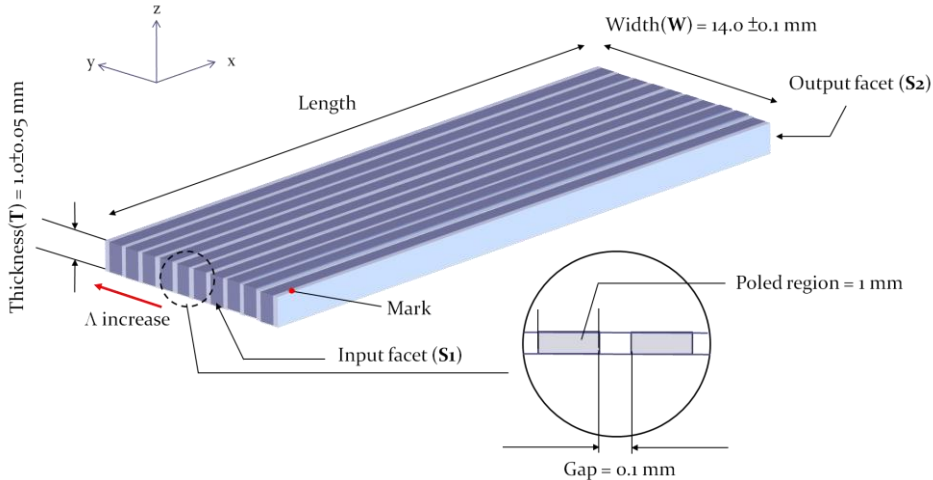
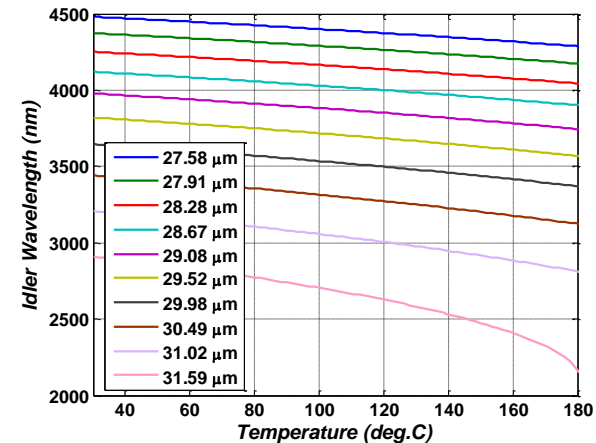
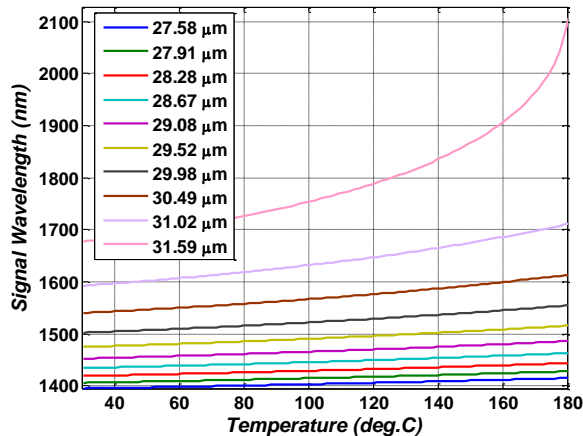


- Chip Lay-Out



[Image for reference only. Not for scale.]

- Phase Matching Tuning Curve



Items	Properties	Inspection
Material	5 mol.% MgO:LN	NA
Period (Λ , μm)	27.58, 27.91, 28.28, 28.67, 29.08, 29.52, 29.98, 30.49, 31.02, 31.59	Microscope
Main Function	Optical Parametric Oscillator	NA
Parallelism/Perpendicularity	$\leq 5' / 21'$	Autocollimator
Flatness	$\leq \lambda / 6$ ($\lambda = 633\text{nm}$)	Interferometer
Scratch/Dig	$\leq 20 / 10$	Microscope
Optical Coating (S1/S2 facets)	S1/S2 @1030-1080 (R<1.0%) /1380-1800 (R<1.0%) /1800-4500 (R<5%) nm	Spectral Analyzer
Aperture Size	14.0 x 1.0 mm ² (W x T)	Cutting Machine
Available Length *	0.3/0.5/1.0 \pm 0.1 mm ^{*1}	
Channel Clear Aperture	$\geq 80\%$ (T), $\geq 90\%$ (W)	NA

*1 Refer to the length of poled grating. Physical length is 1.0 \pm 0.1 mm.



Photonic Solutions Ltd
 Tel: 0131 664 8122
 Fax: 0131 449 7301
 Email: sales@photonicsolutions.co.uk
 Web: www.photonicsolutions.co.uk