

Research Grade Xenon Arc Lamp Sources

XLH-Series 500 W - 1600W



Features

- Vertical or horizontal bulb and housing operation
- Xenon arc lamps from 500W to 1600W
- Multiple collimated or focused output optics in various sizes, materials, and coatings
- User-friendly design
- Numerous available accessories
- Standard safety interlocks

Applications

- Coatings Durability Testing
- Photobiology
- Photochemistry
- Spectroscopy

Image: XLH-S-500X Collimated Beam Lamp Housing

1450 Global Drive, London, Ontario Canada, N6N 1R3
Phone: 519 644 0135 / Fax: 519 644 0136
Email: sales@sciencetech-inc.com
www.sciencetech-inc.com



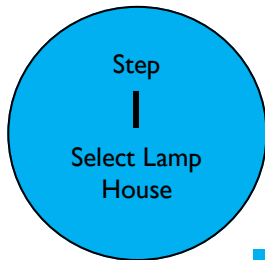
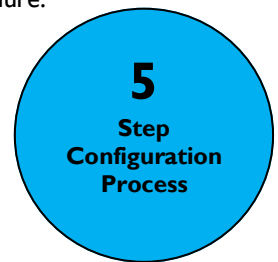
Research Grade Xe Arc Lamp Sources 500-1600W

I. Overview

Sciencetech offers a selection of arc lamp sources for research applications. Short arc lamps are high-pressure discharge lamps. These lamps are especially suitable for optical applications because of their high radiance and luminance. Light is generated by a discharge arc burning freely between two electrodes. The length of the arc is determined by the distance between the two electrodes, which is usually only a few millimeters. This makes arc lamps an ideal point source of light. This brochure focuses on Sciencetech's xenon arc lamp sources, with the lamp envelope filled with high-pressure xenon gas, providing a wide range of wavelengths of illumination.

Either select from one of our convenient packages from page 4 (which include optics, housing, bulb, and power supply, as well as all interconnections) or build your own from our modular components, allowing the perfect fit for your requirements. These lamp houses are designed to operate in a vertical or horizontal mode, and come with base plates for both orientations included. In the configuration section below, choose the housing based on the reflector type (spherical for collimated output, elliptical for focused beam) and desired arc lamp, and add the compatible power supply and lamp. Finally, add optics appropriate to your application. For some pre-configured packages, see the brochure.

2. Configuration—Housing



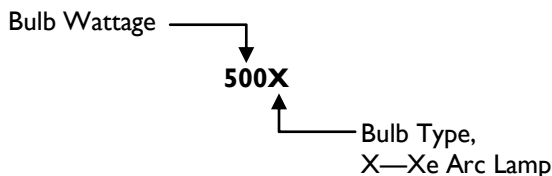
I. A
SELECT YOUR
LAMP HOUSE
SERIES

I. B
SELECT THE
OPTICAL
COLLECTION

I. C
SELECT LAMP
ADAPTER

Lamp House Series	Optical Collection	Lamp Type	Model
XLH	-S	-1000X	XLH-S-1000X
		-500X	XLH-S-500X
	-E	-1000X	XLH-E-1000X
		-500X	XLH-E-500X

SELECTION INFORMATION



- S Spherical reflector and lens collection—standard in Sciencetech's small series solar simulators!
- E Elliptical reflector collection, F/4.5—simple design, used with Sciencetech's fiberized solar simulators!

Talk to one of Sciencetech's technical representatives to help decide what is the best option for your application!

LH-E-500X Focused Beam Lamp Housing

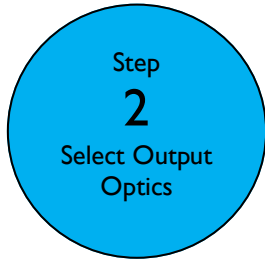


SCIENCETECH



Research Grade Xe Arc Lamp Sources 500-1600W

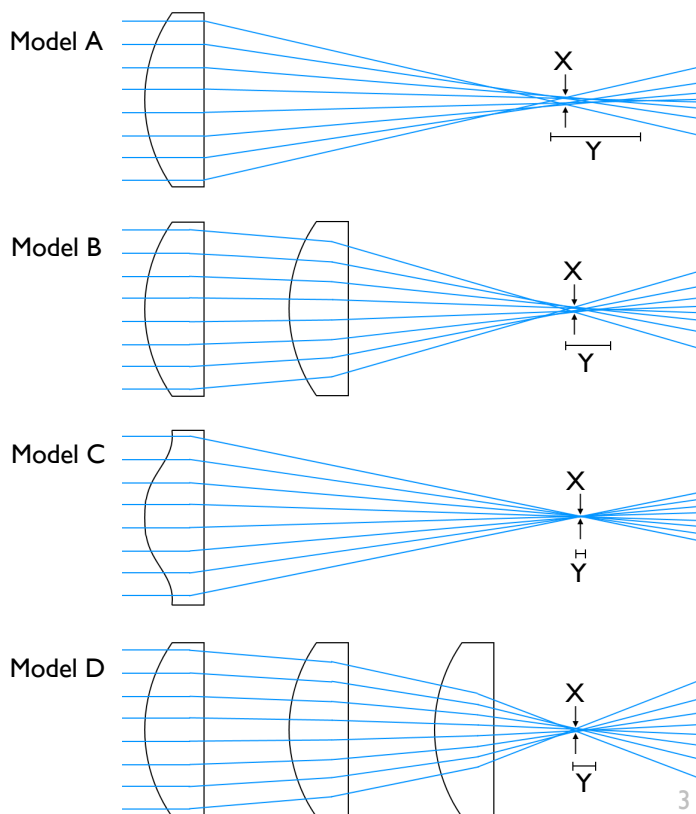
2. Configuration—Output Optics



A variety of optical coupling options are available with Sciencetech's line of collimating (COL) and imaging (IO) optics assemblies.

The tables below provide information on the lens assembly configurations and the lens materials used. COL optics come mounted in a 75mm long lens tube. IO optics may come in lens tubes longer or shorter than 75mm depending on the configuration chosen.

COL—Collimating Line of Optical Assemblies					
Optic Family	Model	Aperture Ratio (F/#)	Standard Material	Spectral Range	Description
COL	-A	1.5	Fused Silica	230-2500nm	Single planoconvex spherical lens.
	-B	1.0	Fused Silica	230-2500nm	Two lens system (minimizes spherical aberration).
	-C	0.6	BK7	360-2500nm	Aspheric system for maximum throughput and minimal spherical aberration with a 1 lens system.
	-D	0.7	Fused Silica	230-2500nm	Three lens system, best compensation of spherical aberration. Recommended for high quality collimation.
IO—Imaging Optics Line of Optical Assemblies					
Optic Family	Model	Aperture Ratio (F/#)	Standard Material	Spectral Range	Description
IO	-A	Varies	Fused Silica	230-2500nm	Single planoconvex spherical lens.
	-B	Varies	Fused Silica	230-2500nm	Two lens system (minimizes spherical aberration).
	-C	Varies	BK7	360-2500nm	Aspheric system for maximum throughput and minimal spherical aberration with a 1 lens system.
	-D	Varies	Fused Silica	230-2500nm	Three lens system optimized for best compensation of spherical aberration. Recommended for very high quality imaging.



Model A - Single Plano-Convex Spherical Lens:
The simplest and least costly option, but with the largest spot size when focused and the poorest quality collimation when collimated.

Model B - Two Lens System:
An intermediate option, with a smaller spot size than Model A when focused and better collimation when collimated.

Model C - Single Aspherical Lens:
The best option for correction of spherical aberration, with the smallest spot size (X) when focused and the best quality collimation when collimated. Only available in BK7 or equivalent glass.

Model D - Three Lens System:
A high-quality option, for a tighter spot size when focused or better quality collimation when collimated than Model A or Model B. It is also available in a wider range of materials than Model C.

X = Circle of Least Confusion (Spot Size)
Y = Longitudinal Spherical Aberration



Research Grade Xe Arc Lamp Sources 500-1600W

2. Configuration—Output Optics

After deciding upon collimating optics or collimating and imaging optics for your application, use the tables below to select the best refractive optics in each field for your application. Additionally, collimating mirror options are available in gold and protected aluminum for applications where reflective optics are

preferable (see page 5).

If you don't see the right optics for your application in the table below, please contact us! Many further options are available upon request.

Configuration—Output Optics—Collimating

Choose the collimating optics' lens configuration, diameter, and material for your application from the following options. The following is an example order:
COL-A-I-FS

This example order contains collimating optics with a single plano-convex lens configuration, 25.4 mm in diameter, and made of fused silica.

Example: COL - A - I - FS

Model Number		Lens Configuration		Diameter ²		Material Options ³	
Code	Description	Code	Description	Code	Description	Code	Description
COL	Collimating Optics	A	Single lens	1	25.4mm diameter optics	-UV	UV Fused Silica
		B	Two lens system	2	50.8mm diameter optics	-FS	Fused Silica
		C	Aspheric lens system ¹	3	76.2 mm diameter optics	-G	BK7 Glass or Equivalent
		D	Three lens system			-CF	Calcium Fluoride Glass

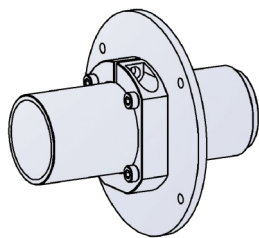
Configuration—Output Optics—Imaging

Choose the imaging optics' aperture ratio, lens configuration, diameter, and material for your application from the following options. The following is an example order:
IO-3.5-D-I-FS

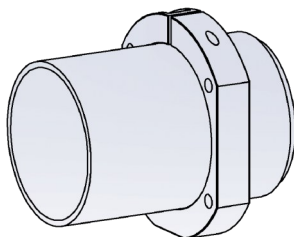
This example order contains imaging optics with F/3.5, a three-lens system lens configuration, 25.4 mm in diameter, and made of fused silica.

Example: IO - 3.5 - D - I - FS

Model Number		F/# - Aperture Ratio		Lens Configuration		Diameter		Material Options	
Code	Description	Code	Description	Code	Description	Code	Description	Code	Description
IO	Imaging Optics	##	F/# of the optical system	A	Single lens	1	25.4mm diameter optics	-UV	UV Fused Silica ⁴
				B	Two lens system	2	50.8mm diameter optics	-FS	Fused Silica ⁴
				C	Aspheric lens system ¹	3	76.2 mm diameter optics	-G	BK7 Glass or Equivalent ⁴
				D	Three lens system			-CF	Calcium Fluoride Glass ⁴



COL 1" diameter optical assembly



COL 2" diameter optical assembly

1. Only available in BK7 or equivalent glass.
2. Ensure that if more than one set of optics are quoted that all optics are compatible—such as ensuring that all optics are the same diameter.
3. Adding optional items will appear on sales orders as custom line items.
4. Single layer MgF₂ antireflection coating with thickness optimized for 550nm is available as an option.

Research Grade Xe Arc Lamp Sources 500-1600W

3. Configuration—Output Optics—Material Selection

Different materials can be selected for transmission in different wavelength ranges. Some of the most common options are in the below table for a quick reference of the most useful ranges for each material.

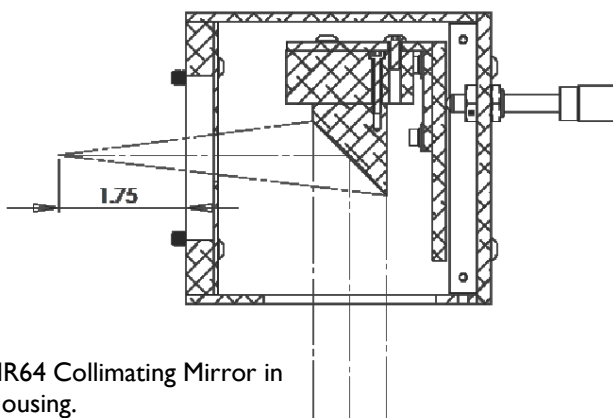
If you don't see the right optics for your application in the table below, please contact us! Many further options are available upon request.

Legend	
No Transmission	
Reduced Efficiency Numbers indicate 80% cutoff point)	550 nm*
Most Efficient	

Range	Wavelength (nm)	Photon Energy (eV)	Standard Refractive Optics			
			UVFS	Fused Quartz/Silica	CaF2	BK7
UVC	100-280	4.43-12.4	175 nm	250 nm		
UVB	280-315	3.94-4.43				
UVA	315-400	3.10-3.94				350 nm
VIS	380-700	1.7-3.3				
NIR	700-1400	0.886-1.653				
SWIR	1400-3000	0.413-0.886	2400 nm	2700 nm		2800 nm
MIR	3000-8000	0.155-0.413				
LIR	8000-15000	0.083-0.155			10000 nm	
Far-IR	15000-1000000	0.012-0.083				

3. Configuration—Output Optics—Reflective Optics

MR6 Collimating Mirror Options					
Model	Aperture Ratio (F/#)	Clear Aperture	Reflective Surface	Spectral Range	Description
MR64	4	25 mm	Protected Aluminum	400nm-20µm	25mm diameter F/4 off-axis parabolic mirror with protected aluminum coating on a kinematic adjustable mount.
MR64-G	4	25 mm	Gold	360nm—Far IR	Gold-coated 25mm diameter F/4 off-axis parabolic mirror on a kinematic adjustable mount.
MR62	2	50 mm	Protected Aluminum	400nm-20µm	50mm diameter F/2 off-axis parabolic mirror with protected aluminum coating on a kinematic adjustable mount.
MR62-G	2	50 mm	Gold	360nm—Far IR	Gold-coated 50mm diameter F/2 off-axis parabolic mirror on a kinematic adjustable mount.

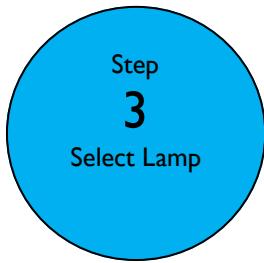


MR64 Collimating Mirror in Housing.

Sciencetech's family of MR6 collimating mirror options are off-axis parabolic mirrors mounted in a housing that can be attached to any LH series lamp housing with the OAP mounting accessory. The MR6 housing includes a three point adjustable kinematic mount with fine pitch threaded screws to optimize alignment of the output optics with the arc lamp.

Research Grade Xe Arc Lamp Sources 500-1600W

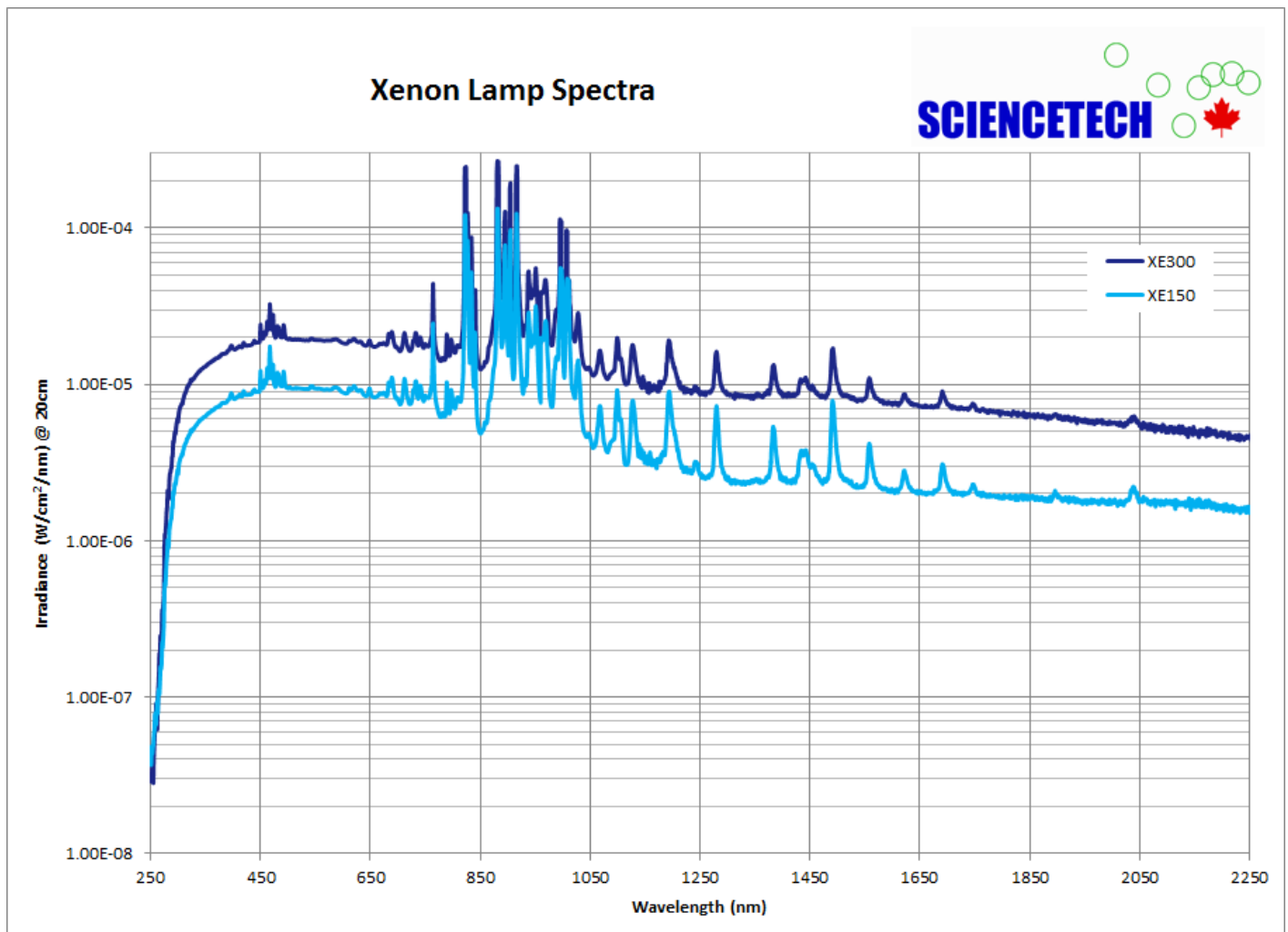
3. Lamp Selection



Xenon arc lamps need to be included as a separate line items on your order. The information below should be used to help select the proper arc lamp for your lamp house configuration and application.

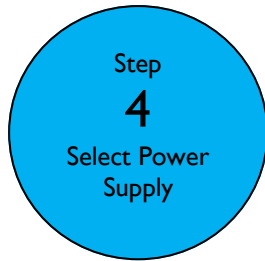
For more information regarding bulb selection, please contact your Sciencetech technical representative.

Lamp Housing	Compatible Bulb Model	Bulb Wattage	Spectral Range	Ozone Producing
-500X	XE500	500W	250-2500 nm	NO
-1000X	XE1000 or XE1600	1000W / 1600W	250-2500 nm	NO



Research Grade Xe Arc Lamp Sources 500-1600W

4. Power Supply



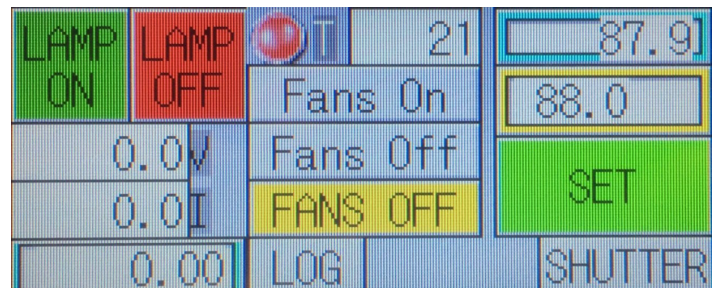
Sciencetech's 611- series power supplies are the compatible power supplies for use with Sciencetech's XLH series lamp houses. For ordering, ensure that your power supply model matches your system's arc lamp wattage.



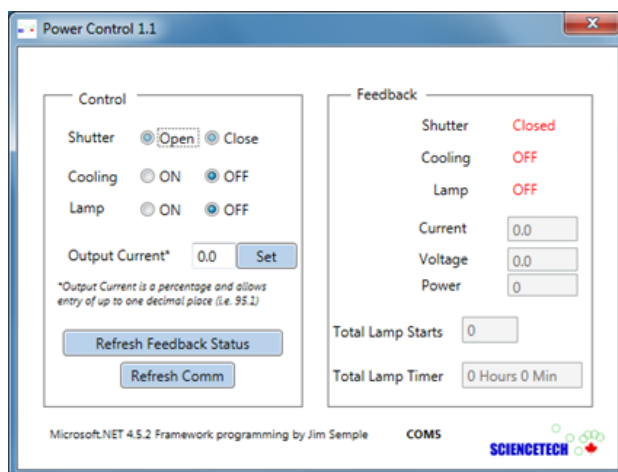
Bulb Type	Power Supply Model
XE1600	611-1.6k
XE1000	611-1k
XE500	611-500

Standard features included with Sciencetech's 611 – series power supplies:

- Touchscreen interface
- Shutter and exposure control (if electronic shutter is supplied*)
- Single connection for lamp power, cooling, and communication
- Lamp starts and timer log
- Fan cooling safety interlock
- RS232 computer control software GUI



*high speed shutters require a separate controller



Optional Upgrades:

- Temperature monitor
- Optical feedback
- Remote lamp status monitoring
- Auto lamp starting



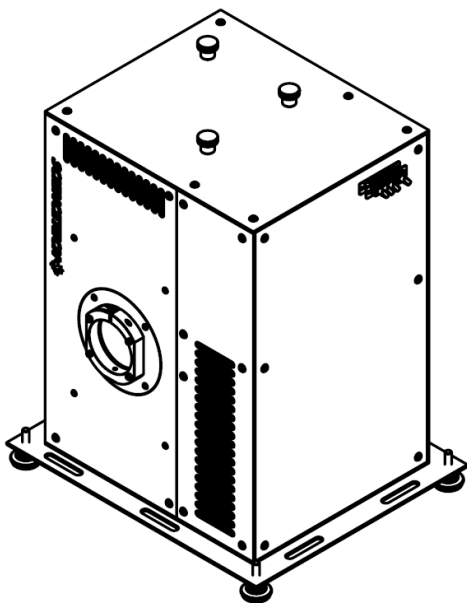
Research Grade Xe Arc Lamp Sources 500-1600W

5. Accessories

Sciencetech carries many accessories for your light source housing, such as filter boxes for use with Sciencetech's variety of spectral filters, or a downward facing stand.

The table below lists Sciencetech's accessories that are compatible with the LH series housing, so you can tailor your Sciencetech system to your application.

	Model	SKU	Description
Filter Boxes	FH2-1	100-8010	One position filter box for 2" (50 mm) filters—uncooled
	FH1-1	100-8011	One position filter box for 1" (25 mm) filters—uncooled
	FH3-1	100-8012	One position filter box for 3" (75 mm) filters—uncooled
	FH1-2	100-8013	Two position filter box for 1" (25 mm) filters—uncooled
	FH3-2	100-8014	Two position filter box for 3" (75 mm) filters—uncooled
Variable Focus Assemblies	VF2	100-8046	Variable focus optical assembly, 2" diameter BK7 optics
	VF2-UV	100-8047	Variable focus optical assembly, 2" diameter fused silica optics
Beam Turners	CTBT-2	160-9005	Beam turning assembly for LH series light sources
Stands	LH-DFS	100-8015	Downward facing stand for LH series light sources
Fiber Couplings	FBC-1	100-8028	Fiber bundle coupler, non SMA, 1"
	FBC-2	100-8029	Fiber bundle coupler, non SMA, 2"
	FBC-SMA-2	100-8030	SMA fiber coupler, 2" flange
	FBC-SMA-1	100-8031	SMA fiber coupler, 1" flange
Shutters	MS-2	160-8040	Manual Shutter for 2" Output Optics
	SH-HS	165-8033	High speed shutter for LH series light sources and SF/SLB solar simulators



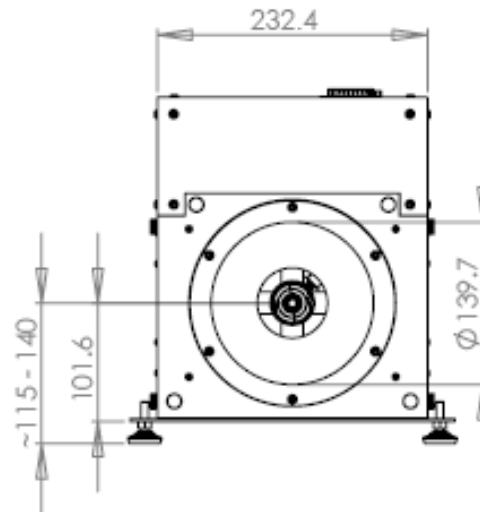
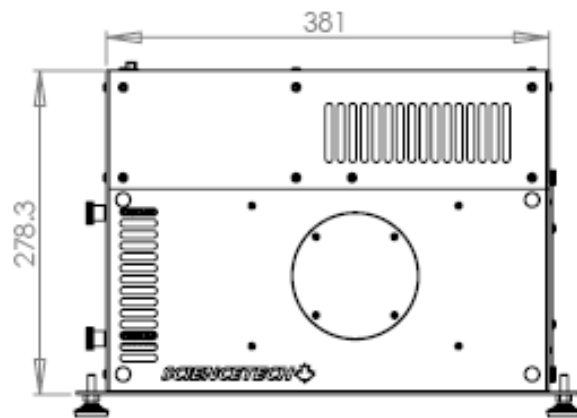
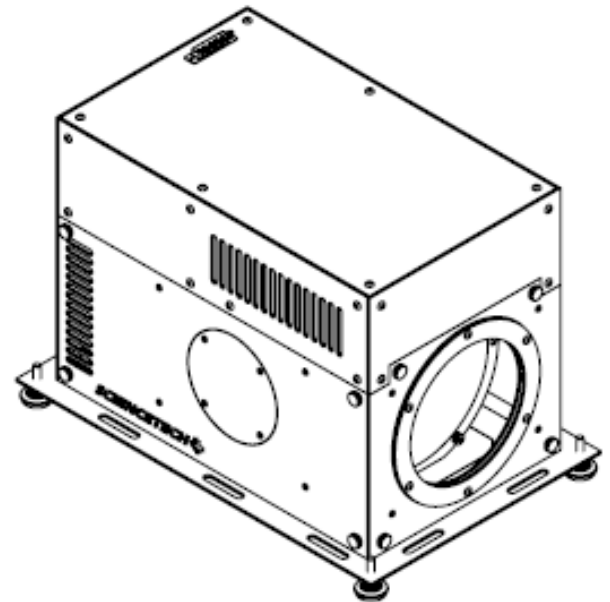
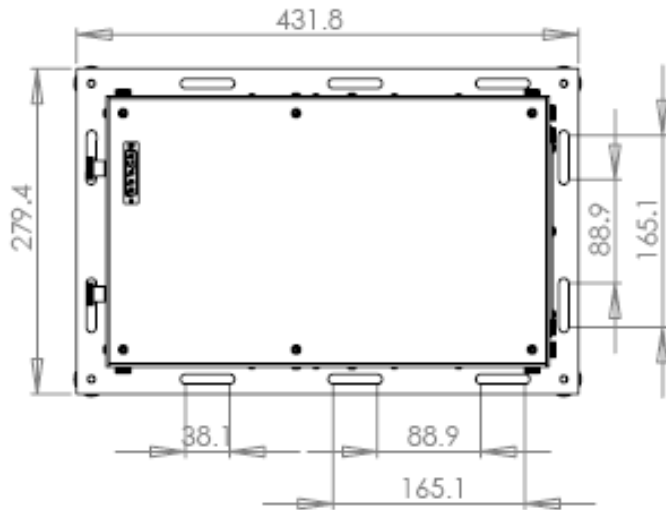
XLH-S-500X Housing



For information on spectral filtering please see Sciencetech's Bandpass Filters brochure or contact your Sciencetech technical sales representative.

Research Grade Xe Arc Lamp Sources 500-1600W

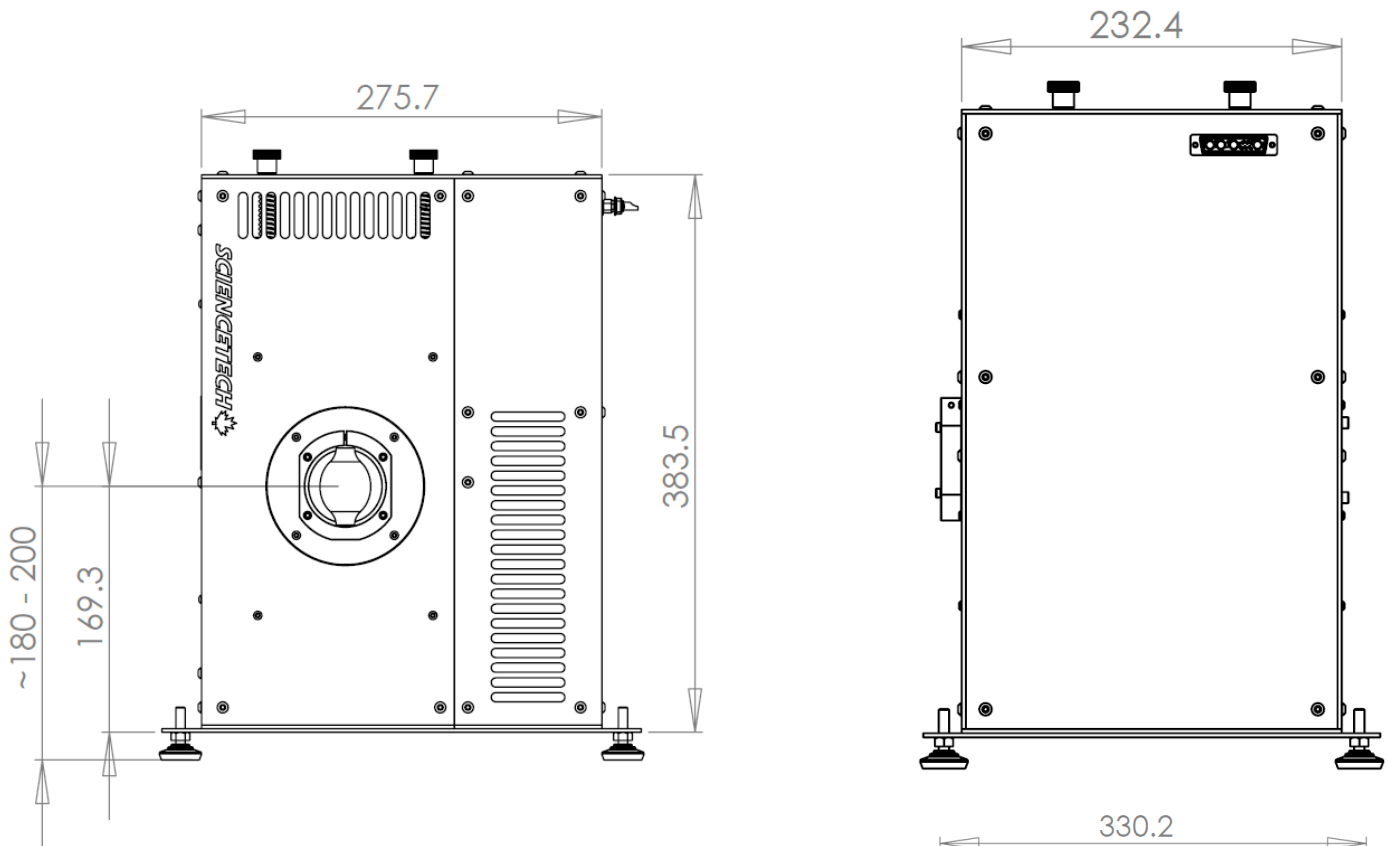
6. Dimensions—XLH-E



Overall H x W x L (mm)	385.3 × 275.7 × 232.4
Weight (kg)	11
Optical Height (mm)	101.6 (horizontal)
Mounting Options	1/4-20 leveling feet—M6-M8 through holes— 76.2 mm spacing

Research Grade Xe Arc Lamp Sources 500-1600W

6. Dimensions—XLH-S



Overall H x W x L (mm)	385.3 × 275.7 × 232.4
Weight (kg)	11
Optical Height (mm)	169.3 (vertical)
Mounting Options	1/4-20 leveling feet—M6-M8 through holes—76.2 mm spacing

7. Ordering Information

Model	SKU	Description
XLH-S-500X	102-9001	Collimated beam lamp housing for 500W xenon arc lamps.
XLH-S-1000X	102-9002	Collimated beam lamp housing for 1000W or 1600W xenon arc lamps.
XLH-E-500X	102-9003	Focused beam lamp housing for 500W xenon arc lamps.
XLH-E-1000X	102-9004	Focused beam lamp housing for 1000W or 1600W xenon arc lamps.



Photonic Solutions Ltd Unit 2.2, Quantum Court, Research Avenue South,
 HWU Research Park, Edinburgh, EH14 4AP, UK, Tel: +44 (0)131 664 8122
 Email sales@photronicsolutions.co.uk Web www.photronicsolutions.co.uk

SCIENCETECH

