

900-2600nm NIR, Mini optic fiber spectrometer

ATP8000

Feature:

- 256/512 pixels InGaAs Array;
- Spectral range: 900-2600nm (Available in custom spectral range)
- Ultra-low noise, dual-sampling PCB;
- Spectral resolution: decide on entrance slit width
- Integration time: 7.8ms - 256s
- CCD parameters: 256/512×1 pixel, 50/25×500 um
- Power supply: DC 5V@<3A;
- Power connector: entrance 2pins plug-in;
- ADC bits depth: 18bits;
- ADC sampling rate: 500 KHz;
- Light connector: SM905 connector or free space;
- Output data port: USB2.0/UART;
- 20pins extension interface;

Application:

- Food sorting;
- Waste water detection;
- Agricultural water content, protein, fat, fiber detection
- Paper sorting;
- Online monitoring Chinese herb production;
- Solar cell detection

Description:

Optosky ATP8000 is designed for 900-2600nm NIR, miniature optic fiber spectrometer. It employs 256/512 pixels cooled InGaAs Array, semiconductor cooling technology CCD, cooled down to -20°C under constant operating temperature, resulting in low noise, 2 times SNR higher than competitors, improved measuring reliability, measuring results do not change with ambient temperatures.

ATP8000 has exclusive designed ultra-low noise CCD signal dual-sampling processing circuit, noise<5 counts.

ATP8000 receives light via SMA905 connector or free space, and outputs spectral data measured via USB2.0/UART PORT.

ATP8000 requires only 5V DC power supply, and it's convenient to apply integration.



(Note: ATP8000 Series use ATP8217 label)

Pro
pub
specifications per the terms of Optosky Standard
warranty.

Xiamen, 361005, China
Tel: +86-592-6102588

iei,

1. Performance parameters:

Sensor	
Type	Cooled InGaAs Array CCD, Cooled down to -20°C
Spectral range	900-2600 nm
Effective pixels	256/512
Pixel size	50/25μm×500μm
Full range	~187.5 Me ⁻
Dynamic range	16666
Sensitivity	16 nV/ e ⁻
Peak value	2300 nm
Dark noise	180 μV rms
Optical parameters	
Wavelength range	900-2600nm, available in custom wavelength
Optical resolution	5-50 nm (decide on slit, spectral range)
SNR	>10000:1
Dynamic range	16666
Operating temperature	0-40 °C
Operating humidity	< 90%RH
Optical path	
Optical path	f/4 crossed C-T
Confocal distance	82.3 mm for incidence / 121.5 mm for output
Entrance slit width	5、10、25、50、100、150、200 μm (optional), available in custom width
Incident connector	SMA905connector, free space
Electrical parameters	
Integration time	7.8ms-256s
Output data port	USB 2.0
ADC bit depth	18 bit (output 16bit)
Power supply	5VDC±5%
Operating current	<3A
Storage temperature	-20°C to +70°C
Operating temperature	0°C to +50°C
Physical parameters	
Dimension	170×130×53 mm ³
Weight	1.5 kg

2. Electrical Pin-out

Table 1 Electrical Characteristics

Parameter	Min	Typ	Max	Unit
Power Supply				
Operating voltage range	4.5	5	5.5	V
Operating current		170		mA
Logic Inputs(3.3V LVTTL, Five-volt tolerant)				
High level input voltage	1.7		3.6	V
Low level input voltage	-0.3		1.0	V
Logic Output(3.3V LVTTL)				
High level output voltage	2.4			V
Low level output voltage			0.4	V

The module is equipped with a 20-pin male angled box header(2x10, 2.00 mm pitch) and USB2.0 B type interface. The 20-pin connector is a Samtec part # STMM-110-02-L-D-RA connector. The mate to this is a Samtec part # TCSD-10-D-XX.XX-01-N.

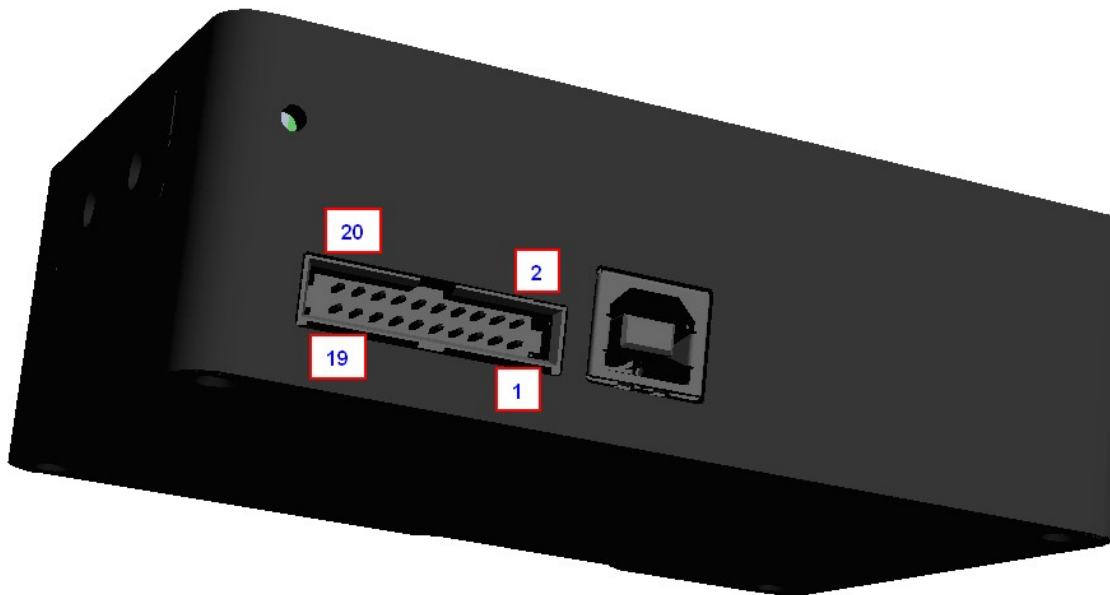


Table 2 Electrical Pin-Out

Pin#	Description	I/O	Function Description
1	VCC	/	Power Supply, 5V±0.5,
2	GND	/	Ground
3	RS232_TX	Output	RS232 Transmit signal

Product data information is current as of publication data. Products conform to specifications per the terms of Optosky Standard warranty.

4	RS232_RX	Input	RS232 Receive signal
5	Lamp_En	Output	LVTTL output the lamp enable signal.
6	Continuous_strobe	Output	LVTTL output the continues strobe signal.
7	Ext_trigger_in	Input	LVTTL input the trigger signal.
8	Single_strobe	Output	LVTTL output the single strobe signal.
9	SPI_SCK	Output	The SPI Clock signal for communications to other SPI peripherals
10	SPI_MOSI	Output	The SPI Master Out Slave In (MOSI) signal for communications to other SPI peripherals
11	SPI_MISO	Input	The SPI Master In Slave Out (MISO) signal for communications to other SPI peripherals
12	SPI_CS	Output	The SPI Chip/Device Select signal for communications to other SPI peripherals
13	GPIO0	Input /Output	General Purpose Software Programmable Digital Inputs/Outputs, LVTTL Logic.
14	GPIO1	Input /Output	General Purpose Software Programmable Digital Inputs/Outputs, LVTTL Logic.
15	GPIO2	Input /Output	General Purpose Software Programmable Digital Inputs/Outputs, LVTTL Logic.
16	GPIO3	Input /Output	General Purpose Software Programmable Digital Inputs/Outputs, LVTTL Logic.
17	GPIO4	Input /Output	General Purpose Software Programmable Digital Inputs/Outputs, LVTTL Logic.
18	GPIO5	Input /Output	General Purpose Software Programmable Digital Inputs/Outputs, LVTTL Logic.
19	GPIO6	Input /Output	General Purpose Software Programmable Digital Inputs/Outputs, LVTTL Logic.
20	GPIO7	Input /Output	General Purpose Software Programmable Digital Inputs/Outputs, LVTTL Logic.

2. Order guide

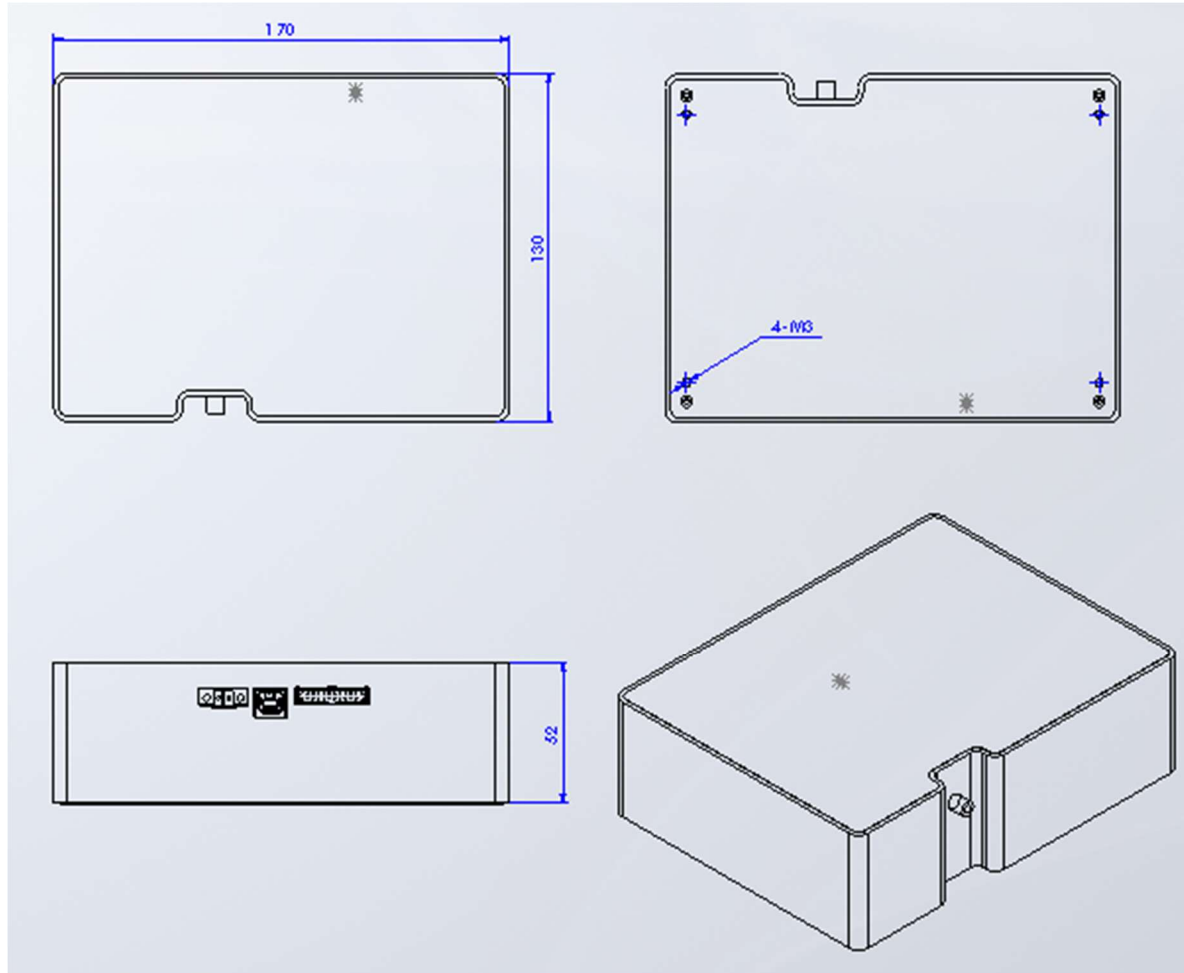
PN	ATP8000-2-17	ATP8000-2-21	ATP8000-2-26	ATP8000-5-17	ATP8000-5-21	ATP8000-5-26
Spectral range	900-1700nm	900-2100nm	900-2600nm	900-1700nm	900-2100nm	900-2600nm
Spectral resolution 25um slit	<6nm	<8nm	<10nm	<3nm	<4.5nm	<6.3nm
Effective pixels	256			512		
Pixel size	50×500μm			25×500μm		
Detector	High performance TE-cooled InGaAs					
Cooled	TE-cooled down to -20°C					
SNR	10000:1					
Dynamic range	13000:1					
A/D resolution	18 bit 150kHz					
Operating temperature	"-20°C-45°C					
Connector	SMA905, free space					
Entrance aperture	10,25,50,100,200μm, available in custom length					
PC interface	USB2.0 High speed/full speed					



Photonic Solutions Ltd Unit 2.2, Quantum Court, Research Avenue South, HWU Research Park, Edinburgh, EH14 4AP, UK, Tel: +44 (0)131 664 8122
 Email sales@photronicsolutions.co.uk Web www.photronicsolutions.co.uk

Product data information is current as of publication data. Products conform to specifications per the terms of Optosky Standard warranty.

3. Outline dimension



Photonic Solutions Ltd Unit 2.2, Quantum Court, Research Avenue South, HWU Research Park, Edinburgh, EH14 4AP, UK, Tel: +44 (0)131 664 8122
Email sales@photronicsolutions.co.uk Web www.photronicsolutions.co.uk

Product data information is current as of publication data. Products conform to specifications per the terms of Optosky Standard warranty.