

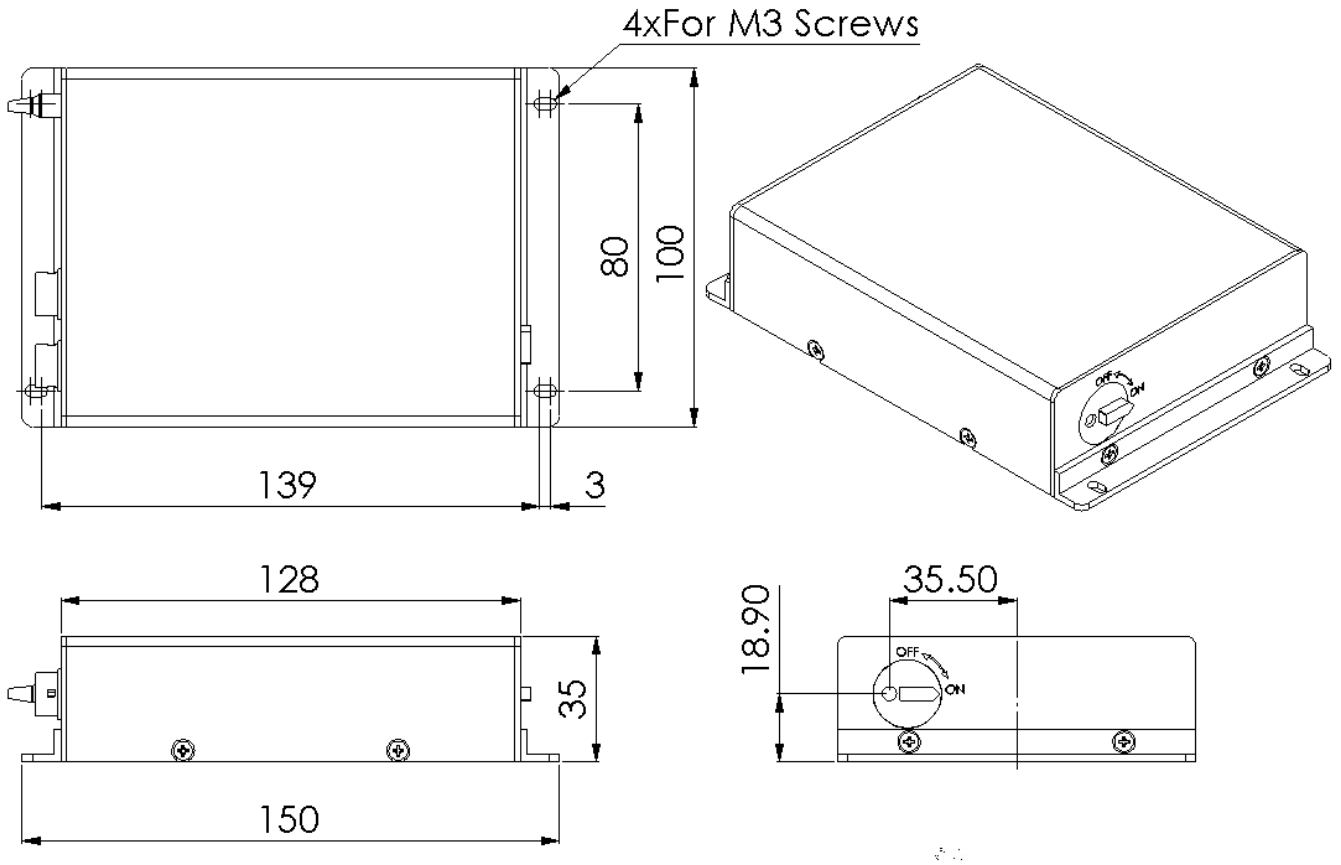
- Single-pass & high-efficiency
- Compact & robust
- Optional 532nm/355nm dual outputs

Reference Specification sheet

Optics (General)	unit	Specification			Note
Mixer Type		Third Harmonic Generation (THG)			
Mixer Pigtailling Type		1x0			
Input Wavelength	nm	1064			[1]
Output Wavelength	nm	355			
Input Fiber, Connector		PM980, None			
Output Fiber, Connector		None			
Specified pump power	W	2.5			
Pump condition		CW, multimode mode, <0.05nm linewidth			[2]
Optics (output)	unit	Minimum	Typical	Maximum	Note
Output power @ specified pump	W	0.025	0.03		
Beam quality, M ²			1.1	1.2	[3]
Diameter of collimated output beam	mm	1	1.5	2	[3]
Waist location (from the output window)	mm	-300	0	300	[3]
Output beam (TEM ₀₀) ellipticity	%		5	10	[3]
Residual IR/output power rejection ratio	dB	40	45		
Output polarization state		linear @ vertical axis			
Output PER	dB	20	25		
Back reflection of IR wavelength	dB		-45	-42	
Output beam height	mm	18.4	18.9	19.4	
Output beam angle	mrاد	-7.5	0	7.5	
Mechanics	unit	Specification			Note
Housing dimension (L*W*H)	mm	150x100x35			
Electrics	unit	Minimum	Typical	Maximum	Note
Electrical connector		Hiroshi HR 10G-10P(73)			
Thermoelectric cooler		3.2V, 4A maximum, Qc = 6.9 W			
NTC Thermistor resistance@25°C	kΩ	10			
Thermistor B vale (B25/85)	K	3478			
PD response	V/W		NA		[4]
Environment	unit	Minimum	Typical	Maximum	Note
Storage temperature (no humidity)	°C	-20	-	70	
Operating temperature range	°C	10	25	35	
Operating relative humidity (non condensing)	%RH	0	-	85	
Vibration / Shock		Refer to ISTA-2A			
Restriction of hazardous substances directive (RoHs)		Declaration of Conformity to 2011/65/EG			

[1] Different wavelength possible upon request
 [2] Efficiency will be different for single longitudinal mode pump
 [3] Defined at the target output power
 [4] For SHG power optimization only

- Mechanical drawing



Photonic Solutions Ltd Unit 2.2, Quantum Court, Research Avenue South,
HWU Research Park, Edinburgh, EH14 4AP, UK, Tel: +44 (0)131 664 8122
Email sales@photronicsolutions.co.uk Web www.photronicsolutions.co.uk