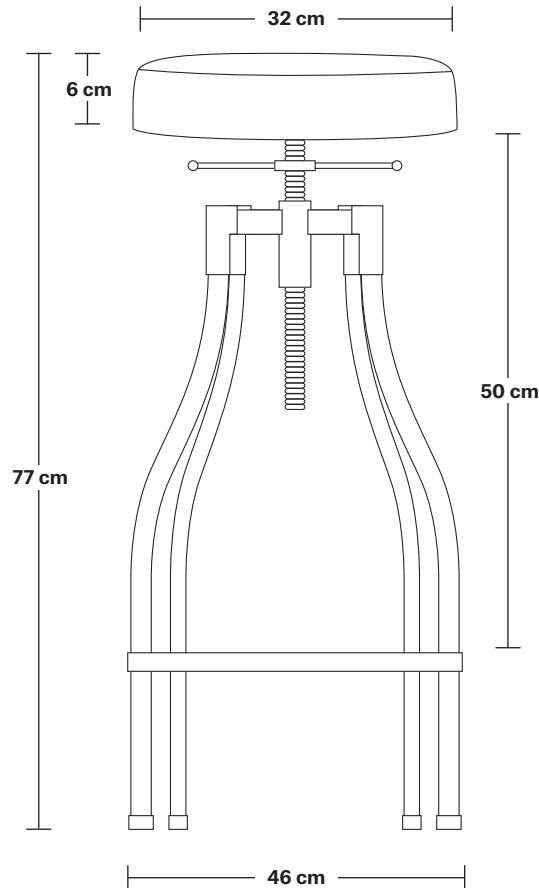


Turner Leather & Metal Adjustable Bar Stool - 35 Inch

Product Code: ST-TN-L

H: 77 cm x W: 46 cm x D: 46 cm



SPECIFICATIONS

Our products are hand finished to ensure an authentic vintage look and therefore they may vary slightly from those shown in the images.

Legs: 3

Seat: Adjustable

Weight: 8.3 kg

INFORMATION

Seat Material: Leather.

Ready to be installed, installation required.

Frame Material: Iron with a Pewter finish.

DIMENSIONS

Height: 77 cm / 30.3"

Width: 46 cm / 18.1"

Depth: 46 cm / 18.1"