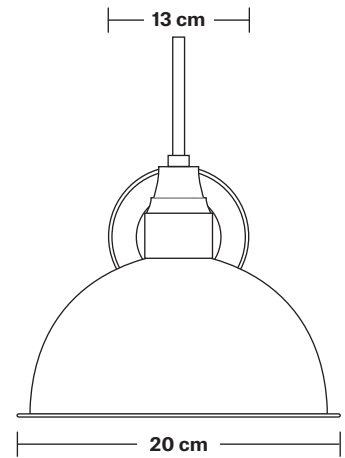
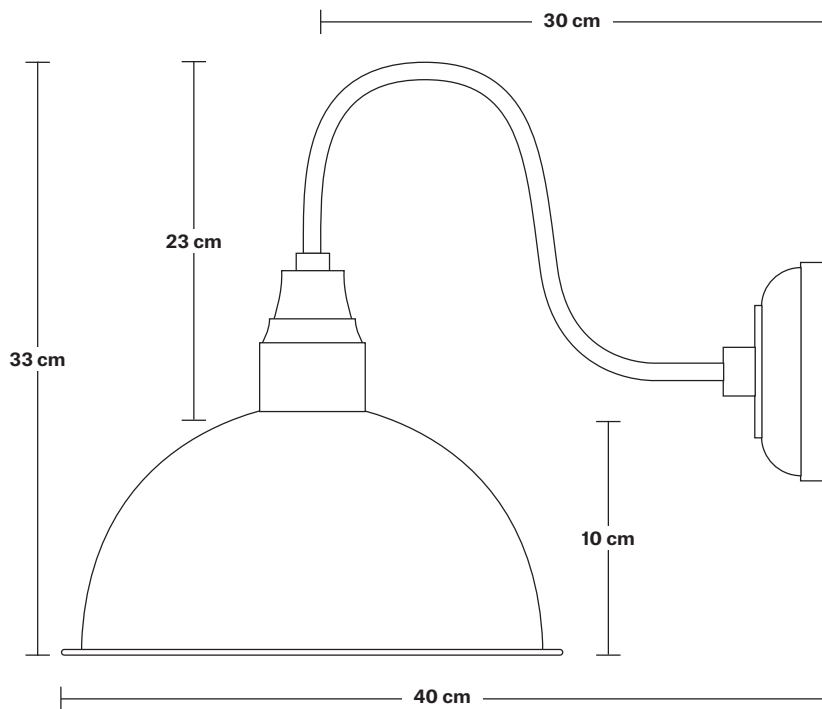


Swan Neck Dome Wall Light - 8 Inch

Product Code: SN-DWL8

H: 33 cm x W: 20 cm x D: 40 cm



SPECIFICATIONS

We meet all UK and EU lighting and safety regulations.

Our products are hand finished to ensure an authentic vintage look and therefore they may vary slightly from those shown in the images.

Bulb required: Standard screw (E27) fitting, max 40W.

Shade weight: 0.4 kg | **Holder weight:** 0.6 kg

Maximum weight: 0.4kg

INFORMATION

Finishes: Brass, Pewter and Brass & Pewter.

Ready to be installed, installation required.

Wall mount screws not included.

Holders available: Brass and Pewter.

DIMENSIONS

Shade Diameter: 20 cm / 8"

Shade Height (no holder): 10 cm / 4"

Holder Diameter: 6 cm / 2.3"

Holder Height: 25 cm / 10"

Wall Rose Diameter: 13 cm / 5.1"

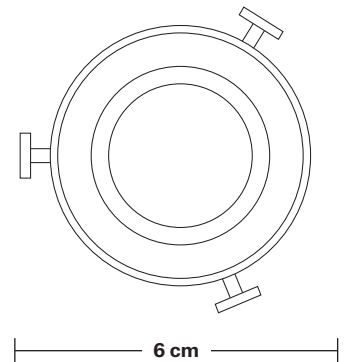
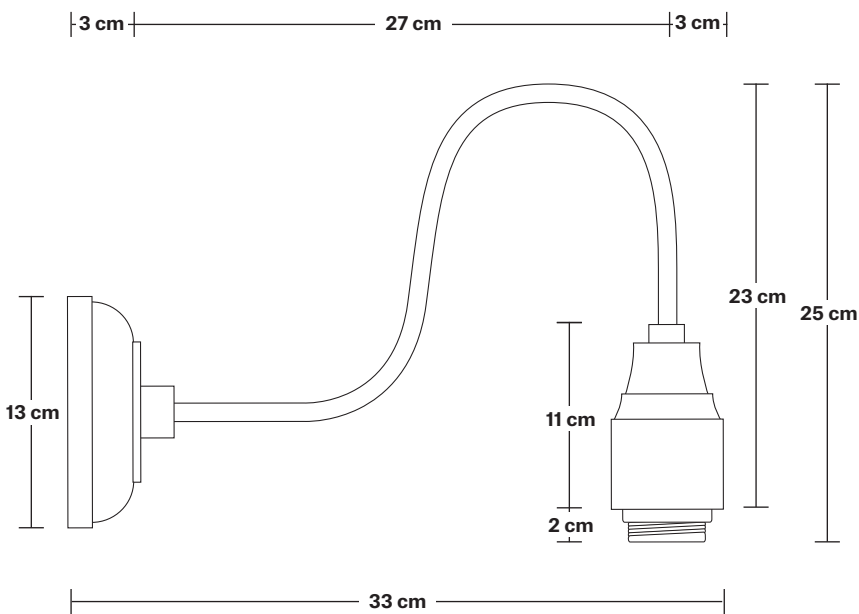
Wall Rose Height: 3 cm / 1.2"

INDUSTVILLE

Swan Neck Wall Holder

Product Code: SN-WL

H: 25 cm x W: 13 cm x D: 33 cm



SPECIFICATIONS

We meet all UK and EU lighting and safety regulations.

Our products are hand finished to ensure an authentic vintage look and therefore they may vary slightly from those shown in the images.

Bulb required: Standard screw (E27) fitting, max 40W.

Weight: 0.6 kg

INFORMATION

Finishes: Brass and Pewter.

Ready to be installed, installation required.

Wall mount screws not included.

Wall mount rose: Brass and Pewter.

DIMENSIONS

Holder Diameter: 6 cm / 2.3"

Holder Height: 25 cm / 10"

Projection: 23 cm / 9.1"

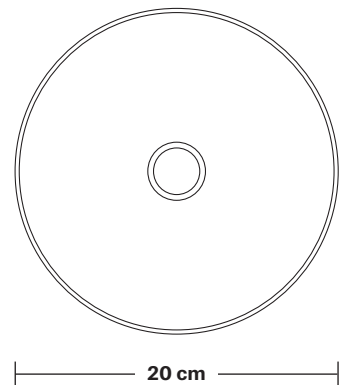
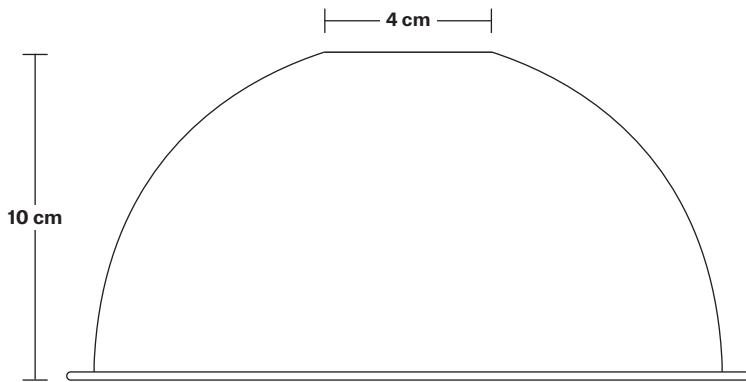
Ceiling Rose Diameter: 13 cm / 5.1"

Ceiling Rose Depth: 3 cm / 1.2"

Dome - 8 Inch - Shade Only

Product Code: D8-SO

H: 10 cm x W: 20 cm x D: 20 cm



SPECIFICATIONS

We meet all UK and EU lighting and safety regulations.

Our products are hand finished to ensure an authentic vintage look and therefore they may vary slightly from those shown in the images.

Bulb required: Standard screw (E27) fitting, max 40W.

Shade weight: 0.4 kg

INFORMATION

Finishes: Brass, Pewter, Copper, Copper & Pewter, Brass & Pewter.

Ready to be installed, installation required.

Wall mount screws not included.

DIMENSIONS

Shade Diameter: 20 cm / 8"

Shade Height: 10 cm / 4"

Dome - 8 Inch - Pewter

Shade Only

Dome - 8 Inch - Pewter - Shade Only	D8-P-SO
-------------------------------------	----------------

Brooklyn Dome Pendant - 8 Inch - Pewter

Brooklyn Dome Pendant - 8 Inch - Pewter - Brass Holder	BR-DP8-P-BH
--	--------------------

Brooklyn Dome Pendant - 8 Inch - Pewter - Pewter Holder	BR-DP8-P-PH
---	--------------------

Brooklyn Dome Pendant - 8 Inch - Pewter - Copper Holder	BR-DP8-P-CH
---	--------------------

Brooklyn Dome Flush Mount - 8 Inch - Pewter

Brooklyn Dome Flush Mount - 8 Inch - Pewter - Brass Holder	BR-DFM8-P-BH
--	---------------------

Brooklyn Dome Flush Mount - 8 Inch - Pewter - Pewter Holder	BR-DFM8-P-PH
---	---------------------

Brooklyn Dome Flush Mount - 8 Inch - Pewter - Copper Holder	BR-DFM8-P-CH
---	---------------------

Brooklyn Dome Wall Light - 8 Inch - Pewter

Brooklyn Dome Wall Light - 8 Inch - Pewter - Brass Holder	BR-DWL8-P-BH
---	---------------------

Brooklyn Dome Wall Light - 8 Inch - Pewter - Pewter Holder	BR-DWL8-P-PH
--	---------------------

Brooklyn Dome Wall Light - 8 Inch - Pewter - Copper Holder	BR-DWL8-P-CH
--	---------------------

Swan Neck Dome Wall Light - 8 Inch - Pewter

Swan Neck Dome Wall Light - 8 Inch - Pewter - Pewter Holder	SN-DWL8-P-PH
---	---------------------

Sleek Dome Pendant - 8 Inch - Pewter

Sleek Dome Pendant - 8 Inch - Pewter - Brass Holder	SL-DP8-P-BH
---	--------------------

Sleek Dome Pendant - 8 Inch - Pewter - Pewter Holder	SL-DP8-P-PH
--	--------------------

Sleek Dome Pendant - 8 Inch - Pewter - Copper Holder	SL-DP8-P-CH
--	--------------------