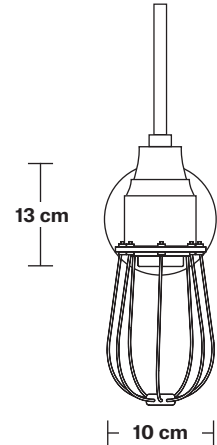
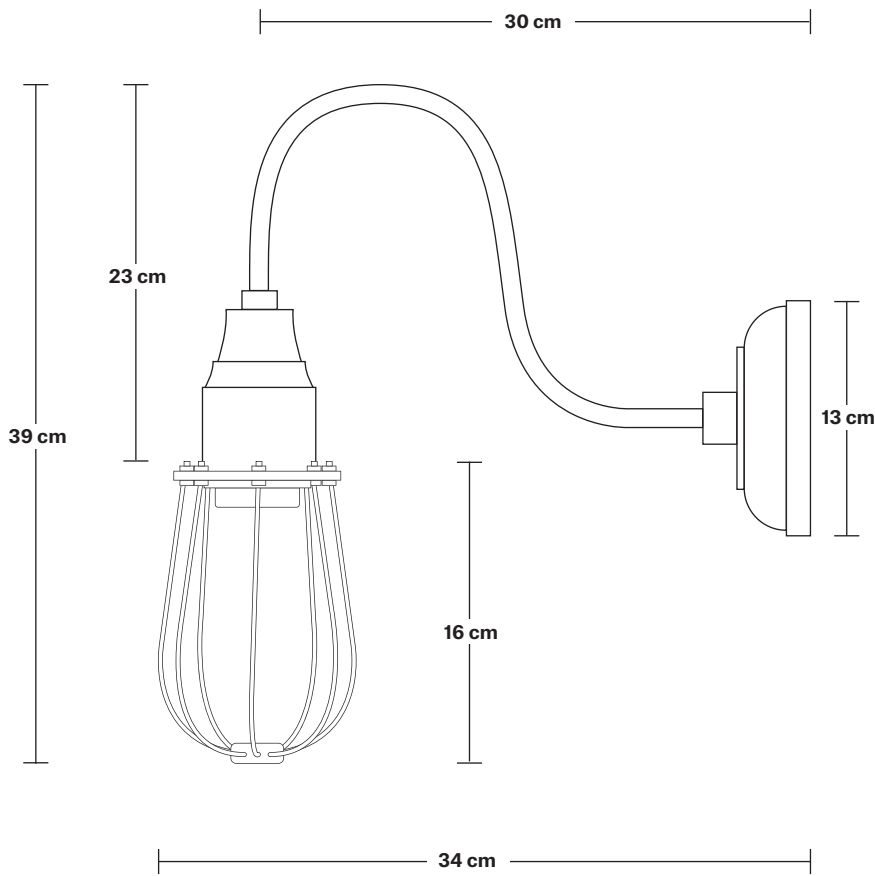


Swan Neck Wire Cage Wall Light

Product Code: SN-WCWL4

H: 39 cm x W: 13 cm x D: 34 cm



SPECIFICATIONS

We meet all UK and EU lighting and safety regulations.

Our products are hand finished to ensure an authentic vintage look and therefore they may vary slightly from those shown in the images.

Bulb required: Standard screw (E27) fitting, max 40W.

Shade weight: 0.2 kg | **Holder weight:** 0.6 kg

Maximum weight: 0.8 kg

INFORMATION

Finishes: Brass, Pewter.

Ready to be installed, installation required.

Wall mount screws not included.

Holders available: Brass, Pewter.

Wall rose: Brass, Pewter.

DIMENSIONS

Shade Diameter: 10 cm / 4"

Shade Height (no holder): 16 cm / 6.3"

Holder Diameter: 6 cm / 2.3"

Holder Height: 25 cm / 10"

Wall Rose Diameter: 13 cm / 5.1"

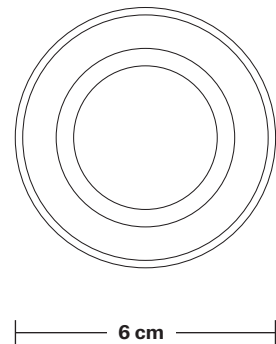
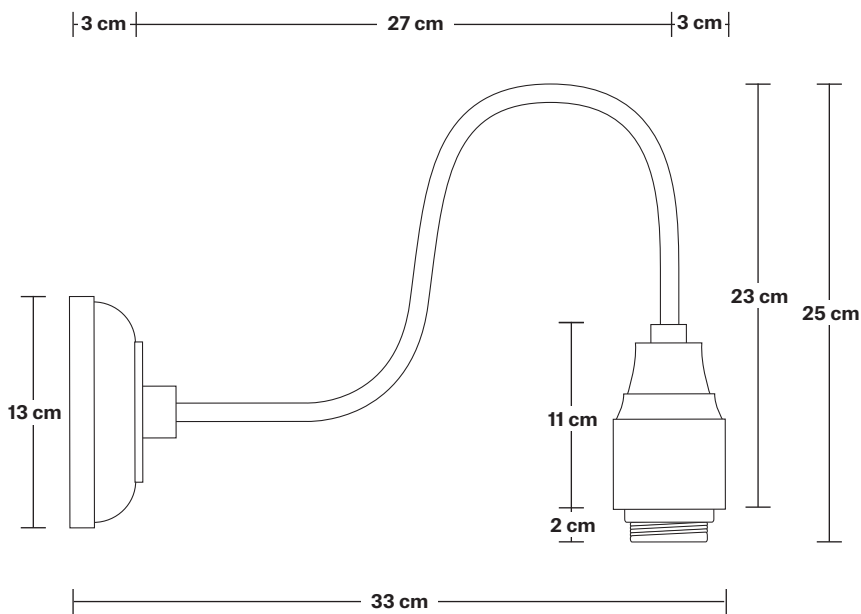
Wall Rose Height: 3 cm / 1.2"

INDUSTVILLE

Swan Neck Wall Holder

Product Code: SN-WL

H: 25 cm x W: 13 cm x D: 33 cm



SPECIFICATIONS

We meet all UK and EU lighting and safety regulations.

Our products are hand finished to ensure an authentic vintage look and therefore they may vary slightly from those shown in the images.

Bulb required: Standard screw (E27) fitting, max 40W.

Weight: 0.6 kg

INFORMATION

Finishes: Brass, Pewter.

Ready to be installed, installation required.

Wall mount screws not included.

Wall mount rose: Brass, Pewter.

DIMENSIONS

Holder Diameter: 6 cm / 2.3"

Holder Height: 25 cm / 10"

Projection: 23 cm / 9.1"

Wall Rose Diameter: 13 cm / 5.1"

Wall Rose Depth: 3 cm / 1.2"

Swan Neck Wire Cage Wall Light - 4 Inch - Pewter

Shade Only

Wire Cage - 4 Inch - Pewter - Shade Only

WC4-P-SO

Swan Neck Wire Cage Wall Light - 4 Inch - Pewter

Swan Neck Wire Cage Wall Light - 4 Inch - Pewter

SN-WCWL4-P
