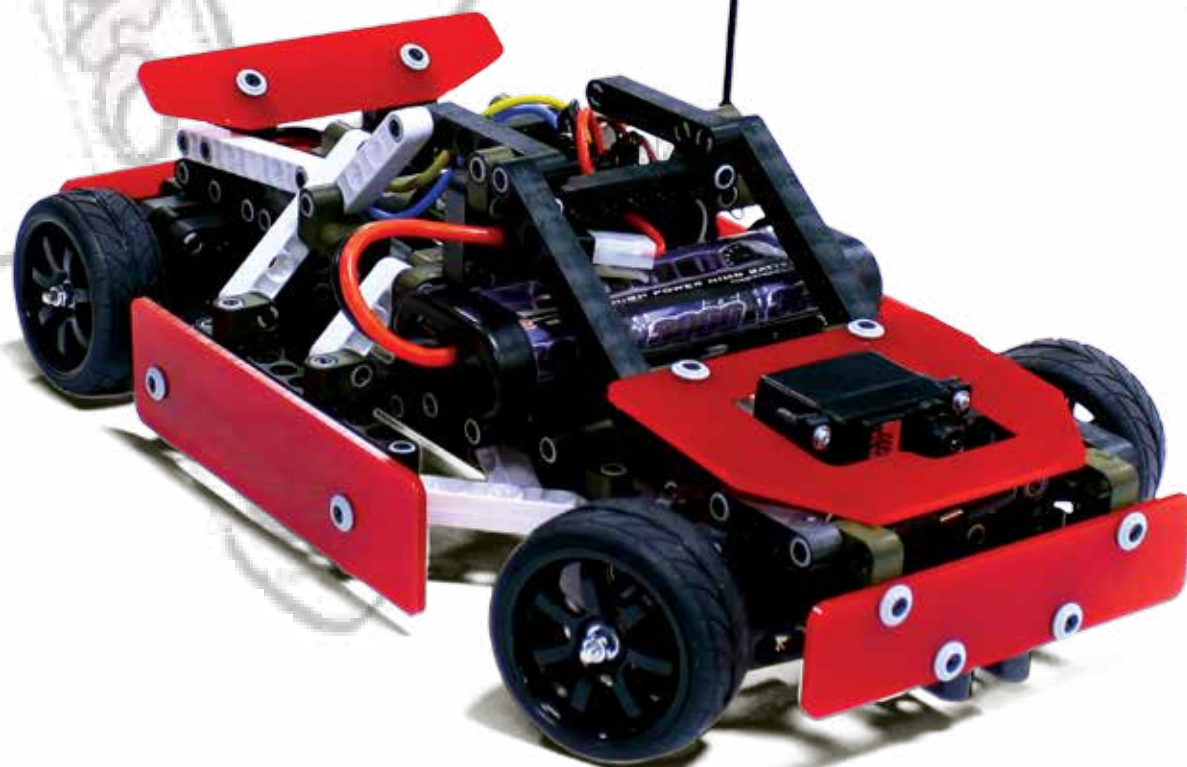




CKE-RC02-002


Electric Car



Helpful instructional videos available at: mindsirobotics.com


MINDS-i® PRODUCT SAFETY INFORMATION

When safety precautions are followed, your MINDS-i® system will provide years of enjoyment. Use care and good sense at all times when operating this product. Failure to use your system in a safe, sensible manner can result in injury or damage to property. You and you alone must insure that the instructions are carefully followed and all safety precautions are obeyed.

- Water can cause the electronics to short out and can cause permanent damage.
- Always turn on the transmitter before turning on the receiver.
- Fully extend the transmitter antenna before operating your vehicle.
- Before turning on your radio system, check to make sure that no one else is running on the same frequency.
-  **CHOKING HAZARD:** Do not allow children under age 3 or any individuals who have a tendency to place objects in their mouths to play with any part of the MINDS-i system, including, but not limited to: connectors, pieces, electronics, radio transmitters, wheels, tires. The system contains small parts which could accidentally be swallowed and cause suffocation.
- When the system is powered and/or in motion, keep fingers, face, tools, loose clothing, hair, and all other body parts away from gears, wheels, etc. Do not wear gloves while operating machinery. Even plastic parts can pinch, cut, or crush.
- The transmitter's antenna could also cause injury if played with violently or pointed towards someone's face.
- Never operate your MINDS-i® system on streets or in any areas where full-size vehicles are.
- Do not pick up your MINDS-i® system when it is in motion.
- Never charge, run or store your MINDS-i® system in a location subject to high temperatures, low temperatures or high humidity.

Do not store in direct sunlight.

- To avoid electronic malfunction, do not allow the vehicle to become wet. Short circuits will produce a very strong electrical current. Should your MINDS-i® system become wet, stop using it immediately.

-  **WARNING! Electrocutation Hazard.** Do not use the materials provided for other than its intended purpose.
- Do not put it into fire.
- Always use recommended batteries. If improper batteries are used, they may become hot, leak and may rupture.
- Do not attempt to recharge non-rechargeable batteries.
- Only batteries of the same equivalent type as recommended are to be used. Do not mix old and new batteries.
- Exhausted batteries are to be removed from the system and replaced with new ones. Recycle all used batteries.
- Do not lick batteries. If battery appears to be leaking or has a crystalline deposit on the outside, dispose of it immediately (wear gloves when handling, preferably nitrile or other non-reactive material).
- Do not run a wire between battery terminals, as wire will get very hot, can be irreparably damaged or explode.
- Make sure the batteries are installed with the correct polarity as shown. Do not disassemble your batteries. Never allow them to become hot or to burn. To avoid short-circuits, avoid getting them wet. Do not short circuit batteries.
- If liquid from inside the batteries contacts your skin or clothes, wash them with water. If leaked battery fluid gets into your eyes, flush them immediately with cool water and seek medical attention. Do not rub eyes.
- Always wear safety glasses to protect your eyes. Note that normal glasses, while usually made of impact-resistant plastic, will not afford sufficient protection from shrapnel or flying debris.
- Always wear close-toed shoes to protect your feet from heavy or sharp objects, which might be dropped.
- If you have long hair, keep it tied back or under a hat to avoid it becoming caught in moving parts.
- The MINDS-i® system contains small parts. Do not ingest. Do not insert into any orifice (e.g. nostrils, ears, etc).
- The system contains metal parts. Cutting or bending can cause parts to break; resulting in sharp edges which can cut skin.
- Battery disposal. Do not throw batteries into the trash, especially rechargeable batteries. Contact your local waste disposal office for information on battery disposal. Batteries should be stored as directed by your local hazardous materials disposal office until pickup (usually in a hard sided waterproof, non-conductive container, e.g. a plastic bucket).



WARNING! IMPORTANT! RESPONSIBLE ADULT SUPERVISION IS REQUIRED FOR CHILDREN UNDER THE AGE OF 14. THIS PRODUCT IS NOT DESIGNED FOR UNSUPERVISED USE BY CHILDREN YOUNGER THAN 14 YEARS OLD.

All pictures descriptions and specifications found in this instruction manual are subject to change without notice.

MINDS-i® maintains no responsibility for inadvertent errors in this manual. Visit www.mymindsi.com for the latest updates and information.

MINDS-i® is a high-performance Construction/RC/Robotics System, which is NOT intended for use on the public roads or congested areas where its operation may conflict with or disrupt pedestrian or vehicular traffic. Read all enclosed information before operating. Fully illustrated, step-by-step instructions describe adjustment, operation, and required maintenance procedures. MINDS-i® should not be operated in a crowd, or without adequate space. In an effort to continually upgrade our products, MINDS-i® reserves the right to make improvements and modifications to this system, which may not be reflected in the photographs and specifications printed on this box. PROPOSITION 65 WARNING: This product contains chemicals known to the State of California to cause cancer and/or birth defects or other reproductive harm.

Terms & Conditions: All orders placed with MINDS-i, Inc (phone, fax, mail, internet/web & email) constitute the acknowledgment and acceptance of all conditions listed below. All purchases remain the property of MINDS-i®, Inc until paid for in full. All orders shipped to a Washington State address must pay sales tax as required by the Washington State Department of Revenue. In the event that an order placed on our web-site does not calculate sales tax and the order is being shipped to a Washington State address, MINDS-i® will calculate the sales tax when the order is processed and call or email the customer with the new amount. All prices, materials, design, color, contents included with a product and product specifications are subject to change without notice. Some product images may be shown with optional items that are sold separately. Depending on the products ordered and the destination of the order, certain shipping services may not be available. MINDS-i® will not be responsible for pricing errors and may cancel the order. Orders will not be shipped until all Credit Card information is verified and matched. All other orders (check or money order) will not be shipped until payment has been received in full. All unpaid orders will be canceled after 30 calendar days. All weights shown for products are used for shipping calculation only and may not reflect actual weight of the product.

Product Warranty: MINDS-i® warrants to the original buyer that our products are free from defects in materials and workmanship for a period of 120 days from the original date of purchase (original purchase receipt required). This warranty does not cover abuse, misuse, incorrect wiring, modifications, alterations, connector damage, wear and tear or robot competition damage. If the Product is determined to be defective within the warranty period, MINDS-i® or its authorized service provider will, at our sole option, repair or replace any defective parts free of charge, or refund the purchase price. What you must do: Return the Product in its original packaging or packaging affording equal protection, freight prepaid, with proof of purchase, to an authorized MINDS-i® service provider. You are responsible for all shipping charges. For more information, contact MINDS-i® at (509) 252-5767 or info@my minds i. com.

Shipping Errors and Defective Products: Claims for shipping shortages, errors, or defective materials must be in writing and received by MINDS-i® within ten (10) days after receipt of shipment by buyer. Failure to make such claim within the stated period shall constitute an irrevocable acceptance of the goods and an admission that the goods fully comply with all the terms and conditions of the buyer's order.

MINDS-i® is Designed and Manufactured in the United States
Some components are manufactured in China and the Philippines.

Patents US 7,517,270; US 7,410,225; US 7,736,211; US 7,841,923; MX 288350; CN ZL 200680044576.1; Additional Patents Pending.
Trademarks 3,420,137 and 3,487,694
Copyright © 2014 MINDS-i Inc. All rights reserved.

MINDS-i, Inc
22819 East Appleway Avenue
Liberty Lake, WA 99019
USA



CONNECTOR ASSEMBLY AND USAGE

HELPFUL INSTRUCTIONAL VIDEOS AVAILABLE AT: www.mindsieducation.com



1.5-LOCK



2-LOCK



3-LOCK



PANEL-LOCK



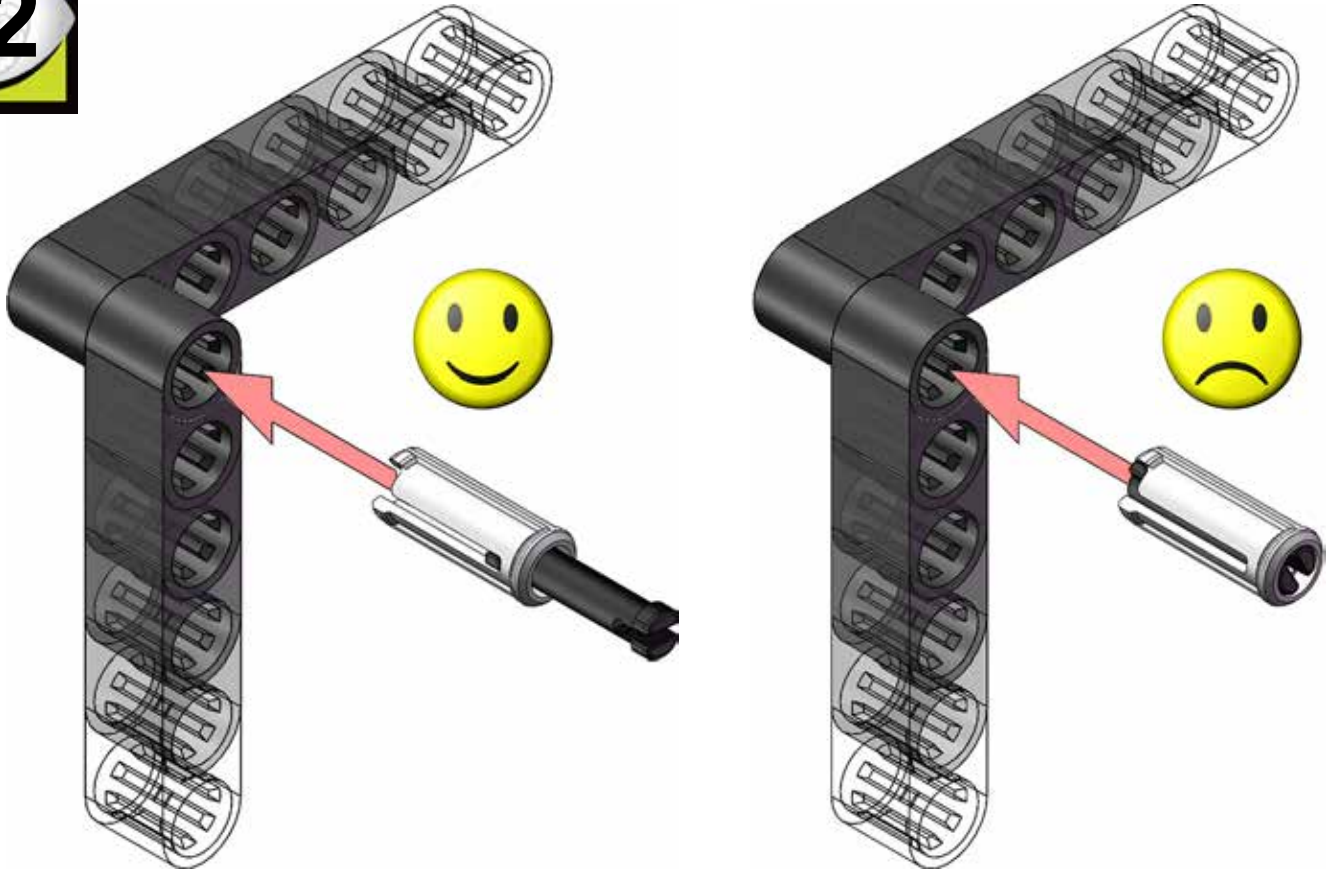
2-ROTATE



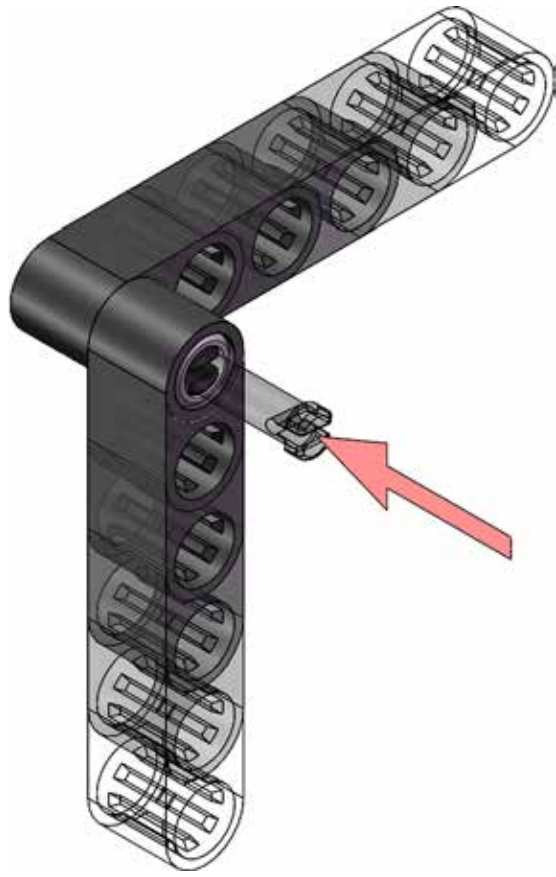
3-ROTATE



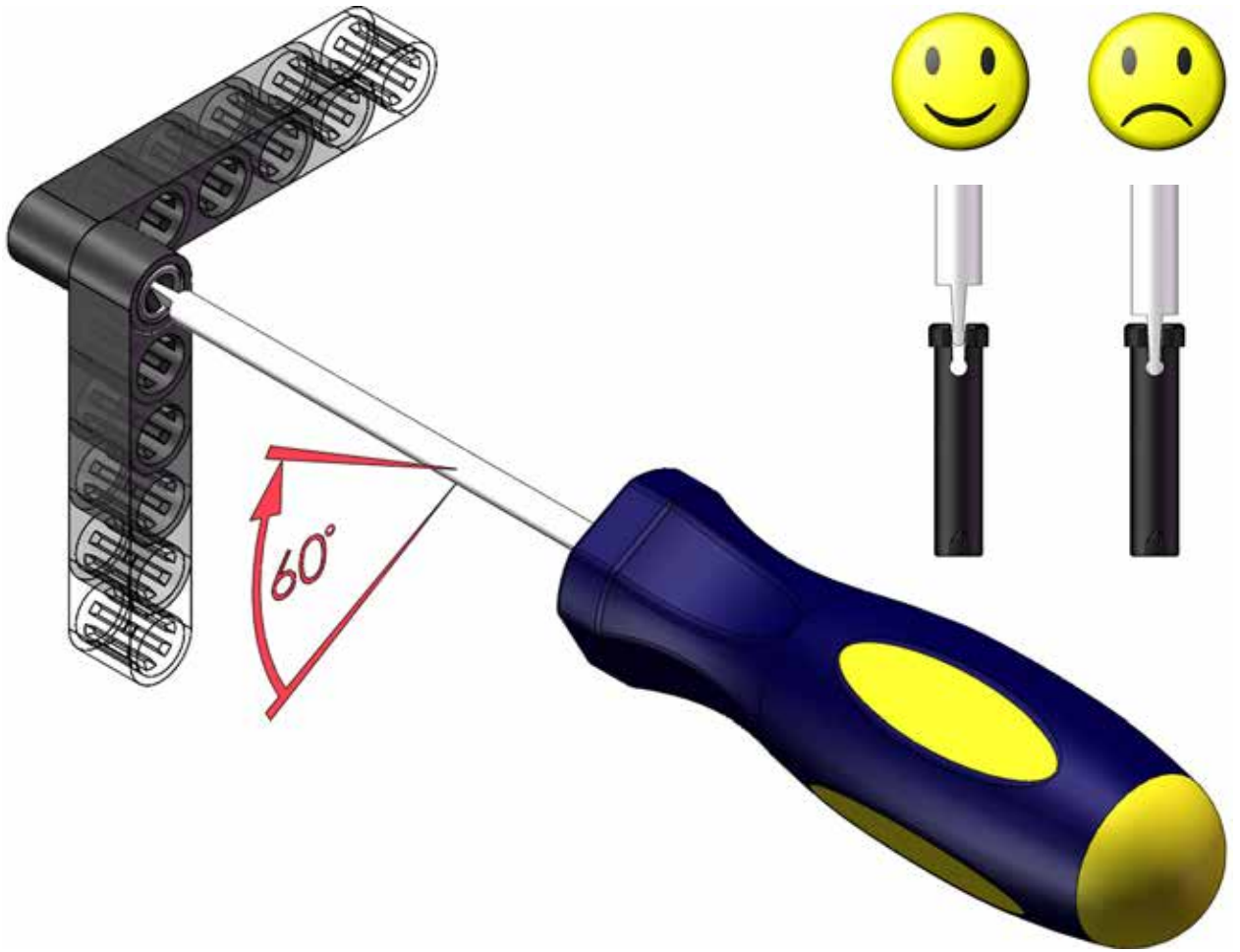
02



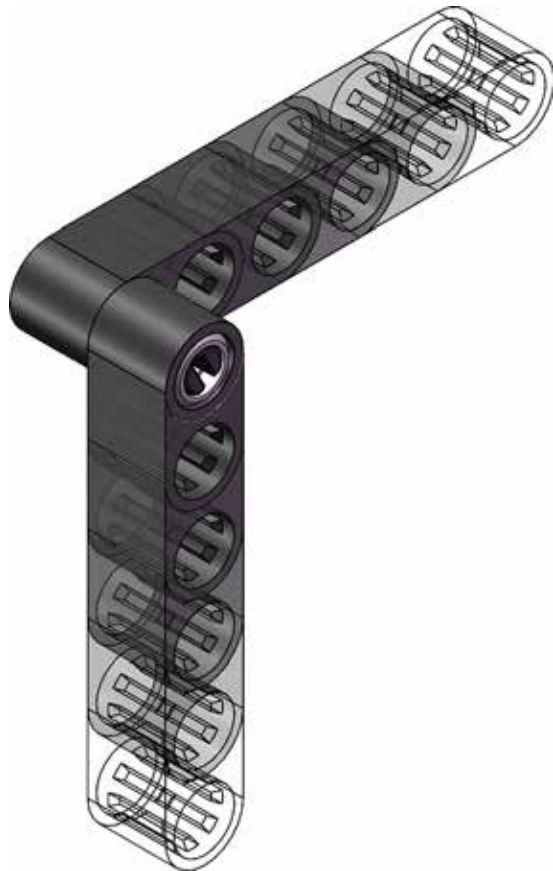
03



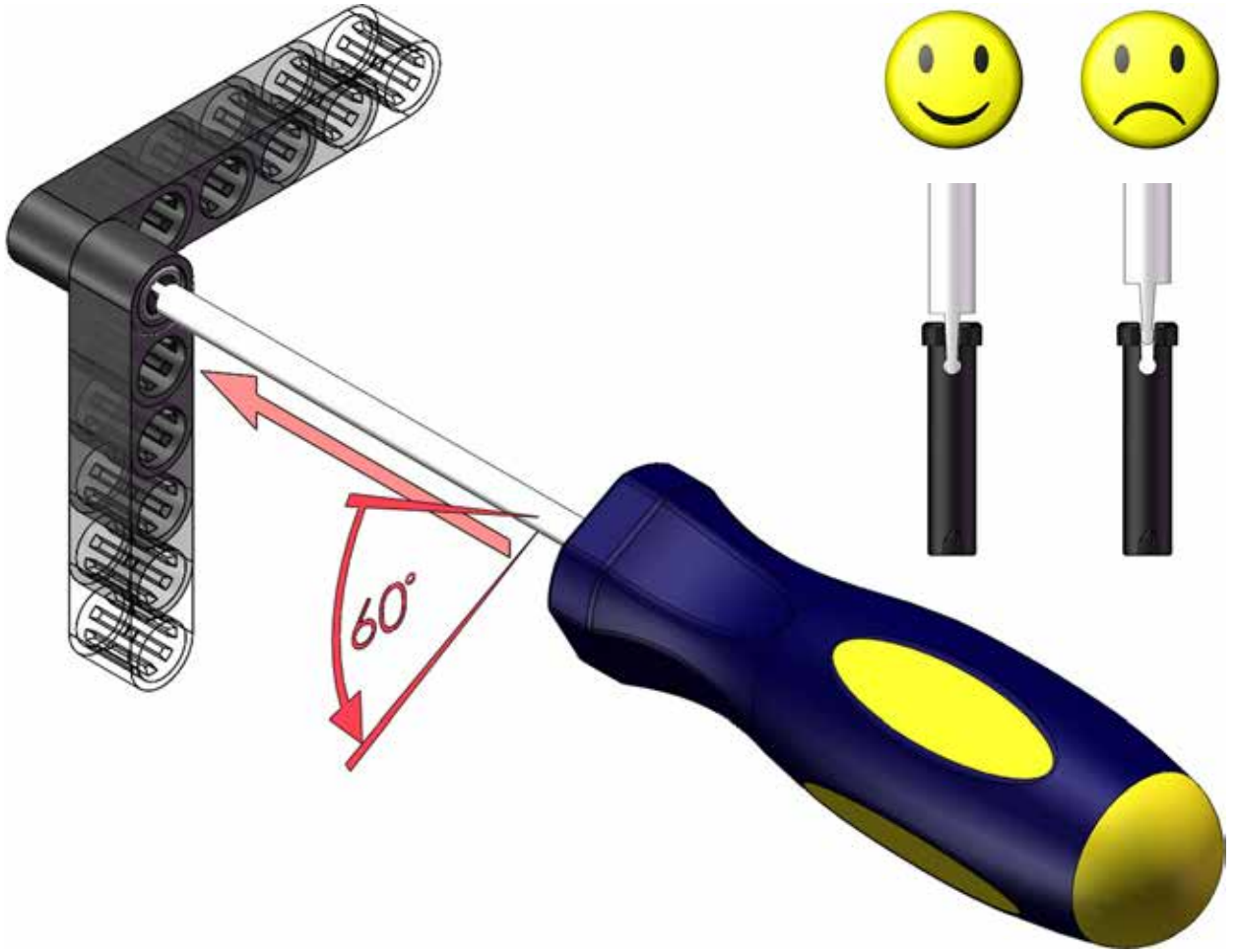
04



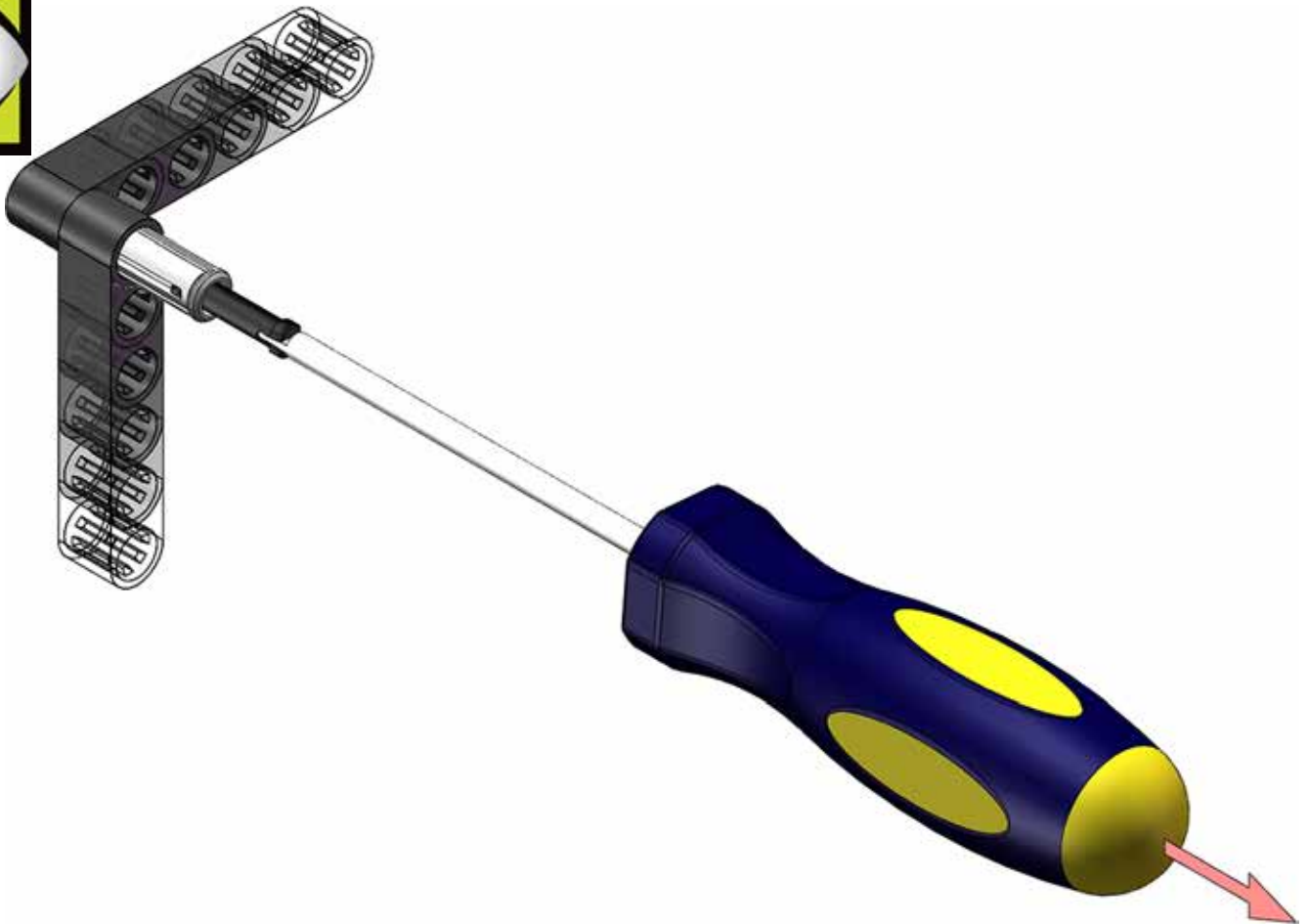
05



06



07



01

x1
15-BEAM



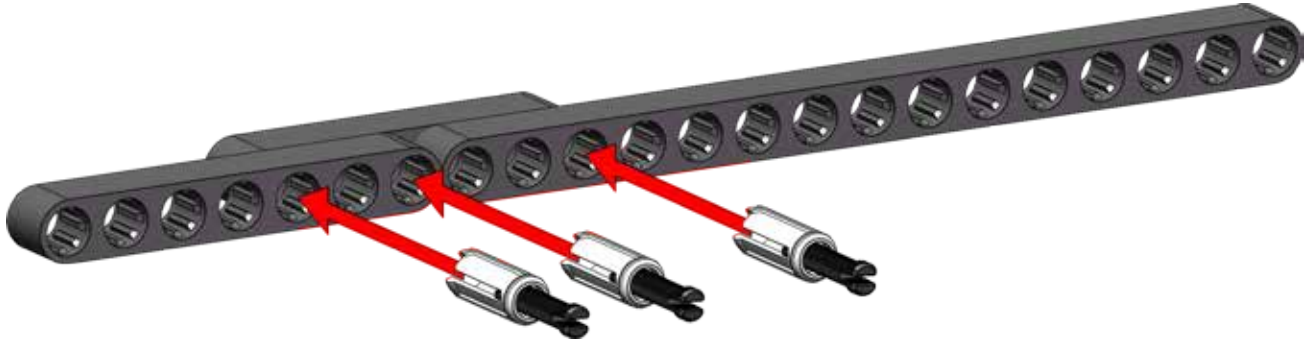
x1
7-BEAM



x1
6-BEAM



x3
2-LOCK

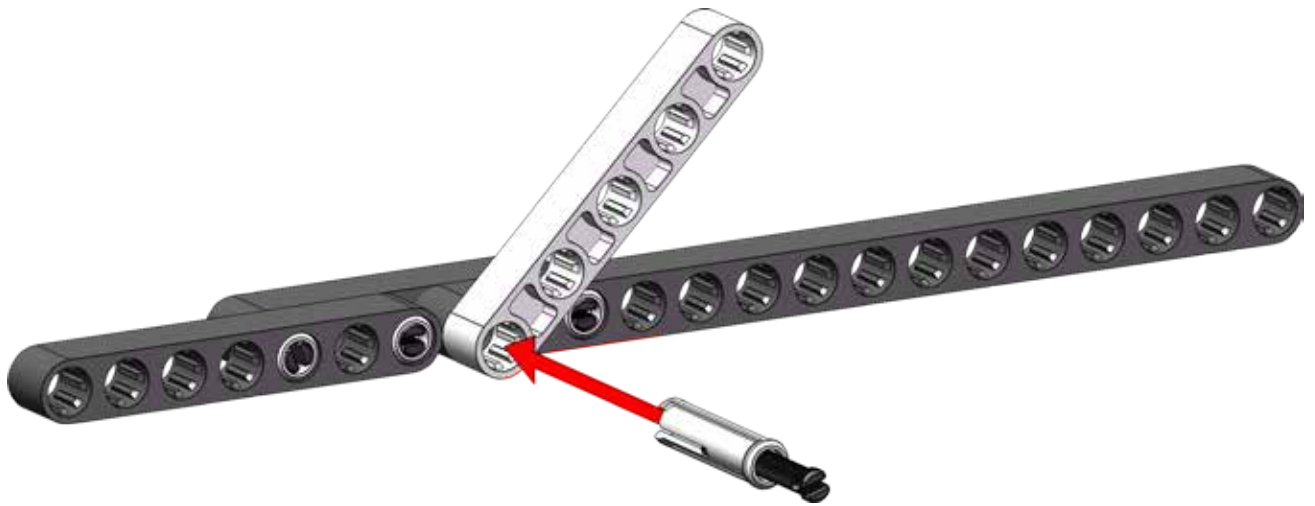


02

x1
5-45 BEAM



x1
3-LOCK



03

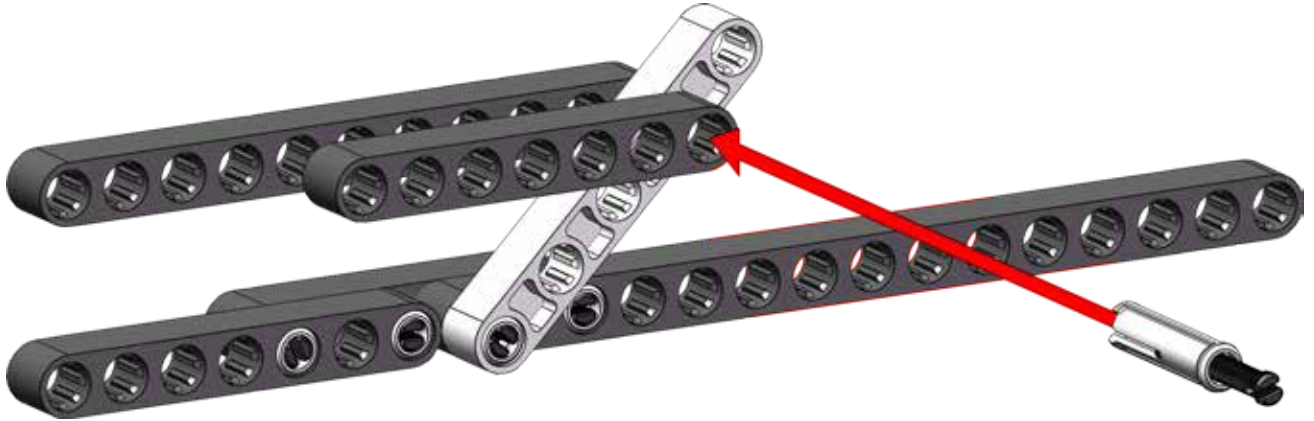
x1
11-BEAM



x1
7-BEAM



x1
3-LOCK



04

x1
10-BEAM



x1
8-BEAM



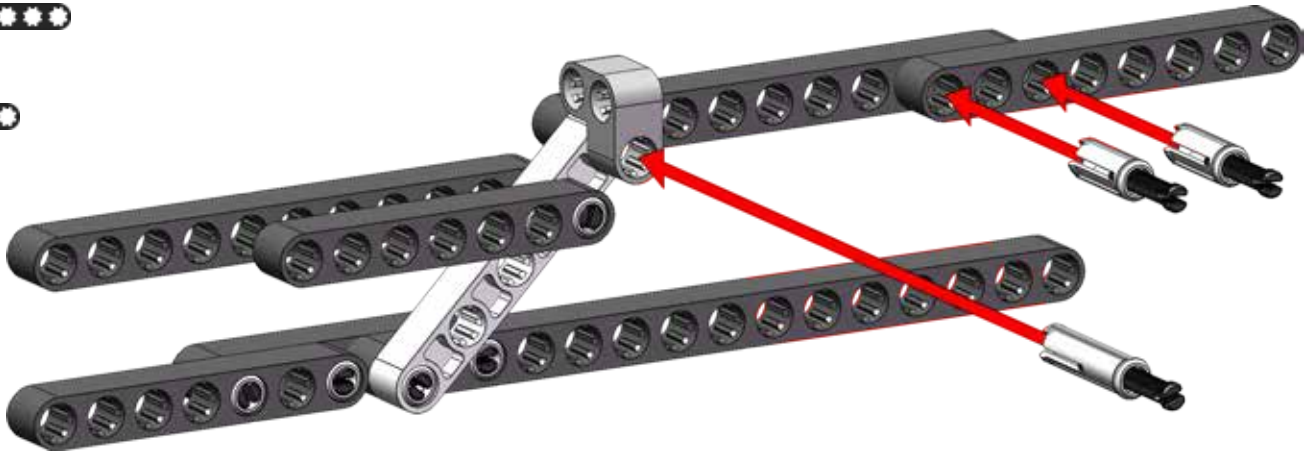
x1
TRANSITION



x1
3-LOCK



x2
2-LOCK



05

x1
15-BEAM



x1
7-BEAM



x1
6-BEAM



x3
2-LOCK



06

x1
5-45 BEAM



x1
3-LOCK



07

x1
11-BEAM



x1
7-BEAM



x1
3-LOCK



08

x1
10-BEAM



x1
8-BEAM



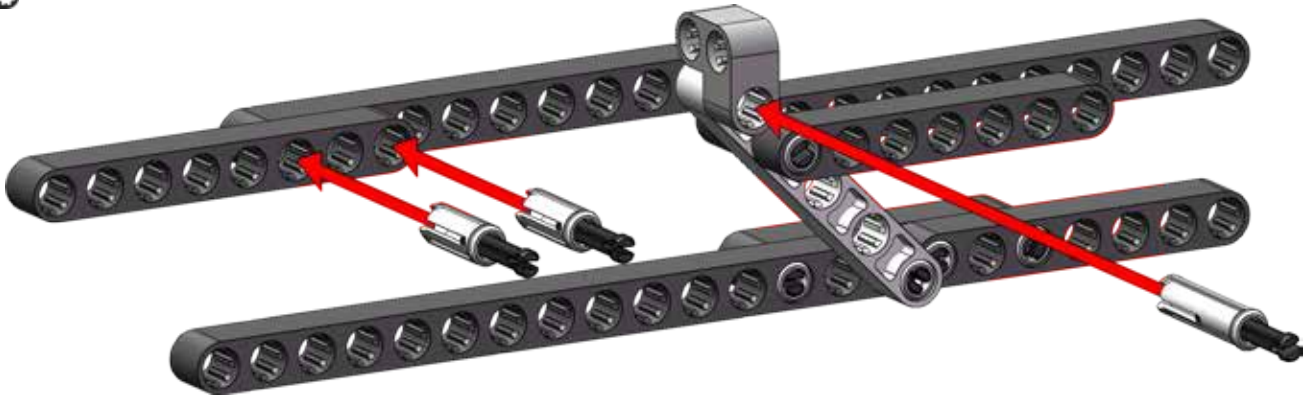
x1
TRANSITION



x1
3-LOCK



x2
2-LOCK



09

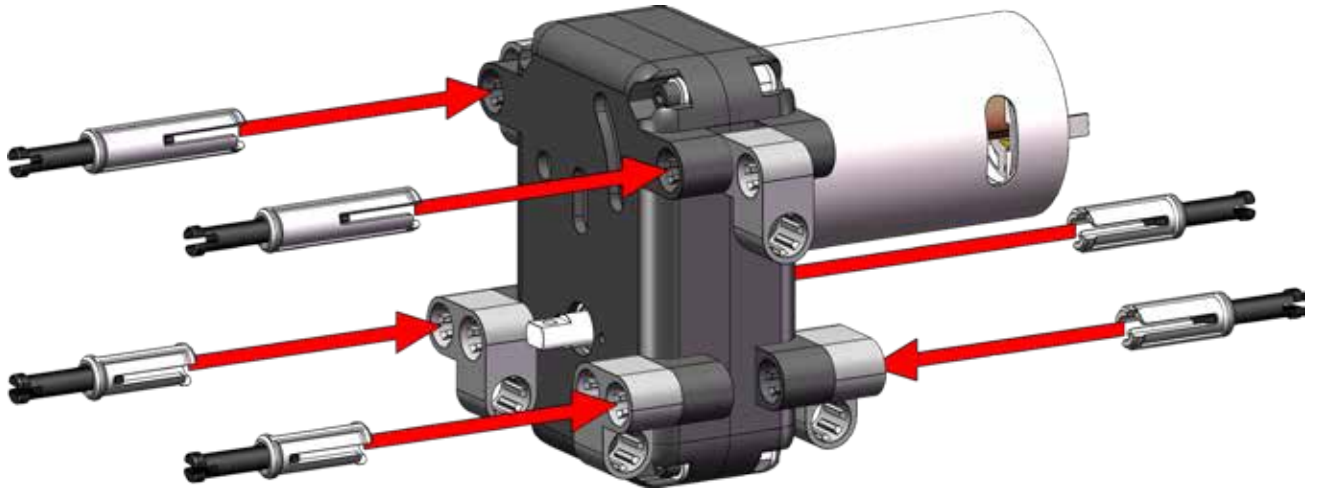
x6
TRANSITION



x2
3-LOCK

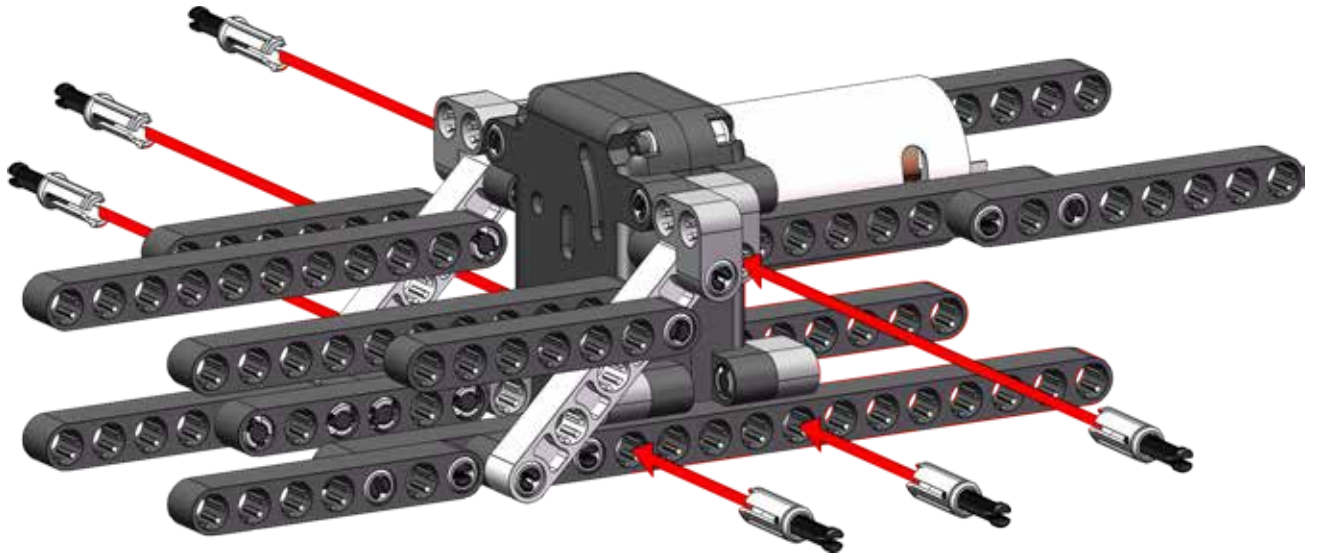


x4
2-LOCK



10

x6
2-LOCK

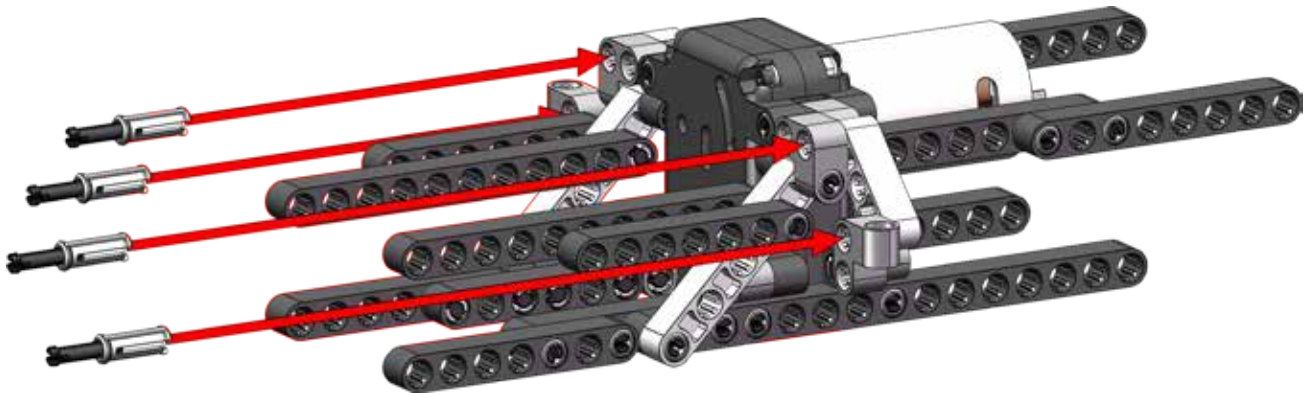


11

x2
3-45 BEAM

x2
TRANSITION

x4
2-LOCK



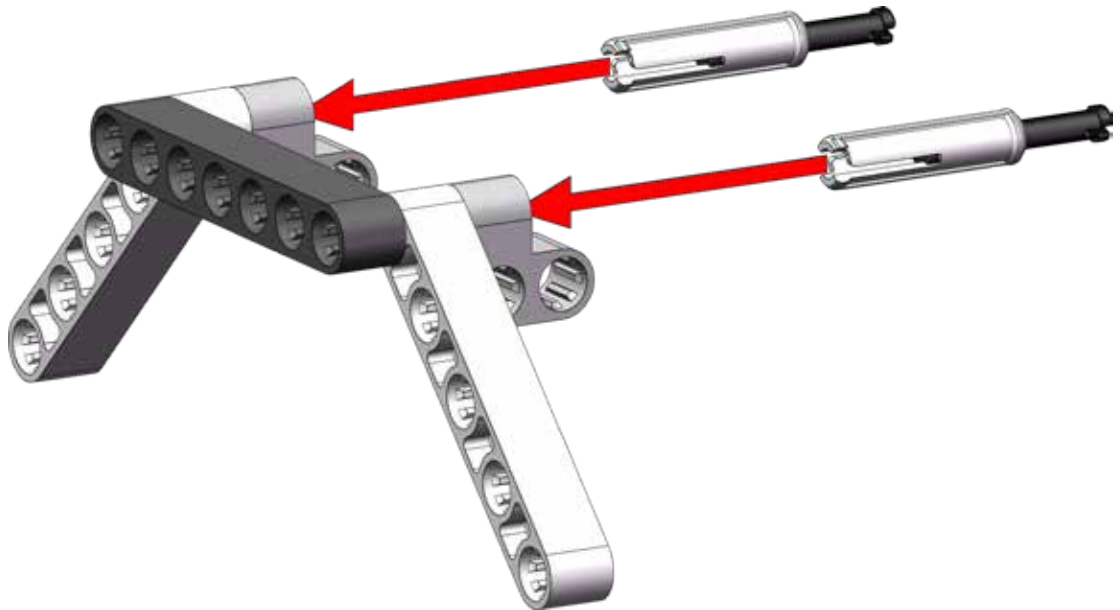
12

x1
7-BEAM

x2
5-45 BEAM

x2
TRANSITION

x2
3-LOCK



13

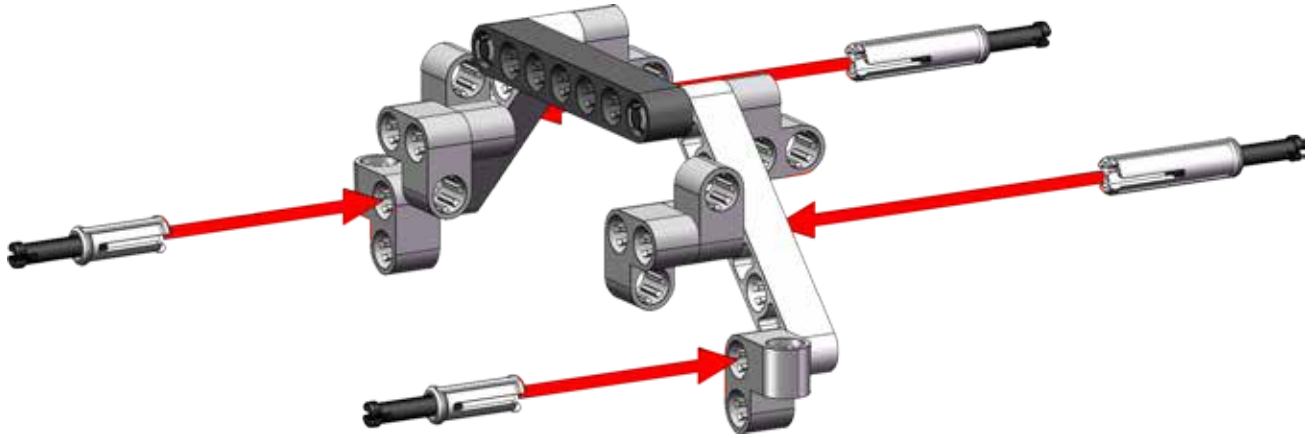
x6
TRANSITION



x2
3-LOCK



x2
2-LOCK



14

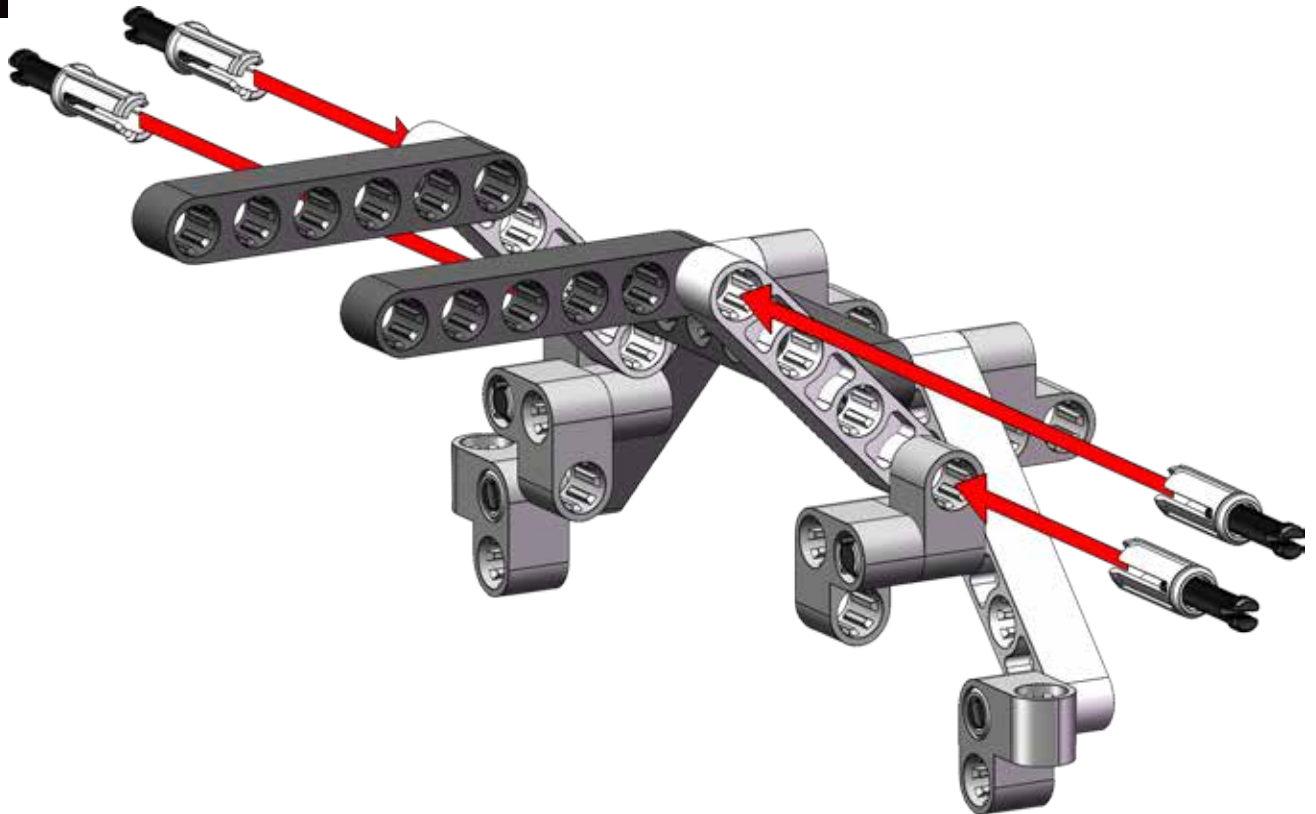
x2
6-BEAM



x2
4-45 BEAM



x4
2-LOCK

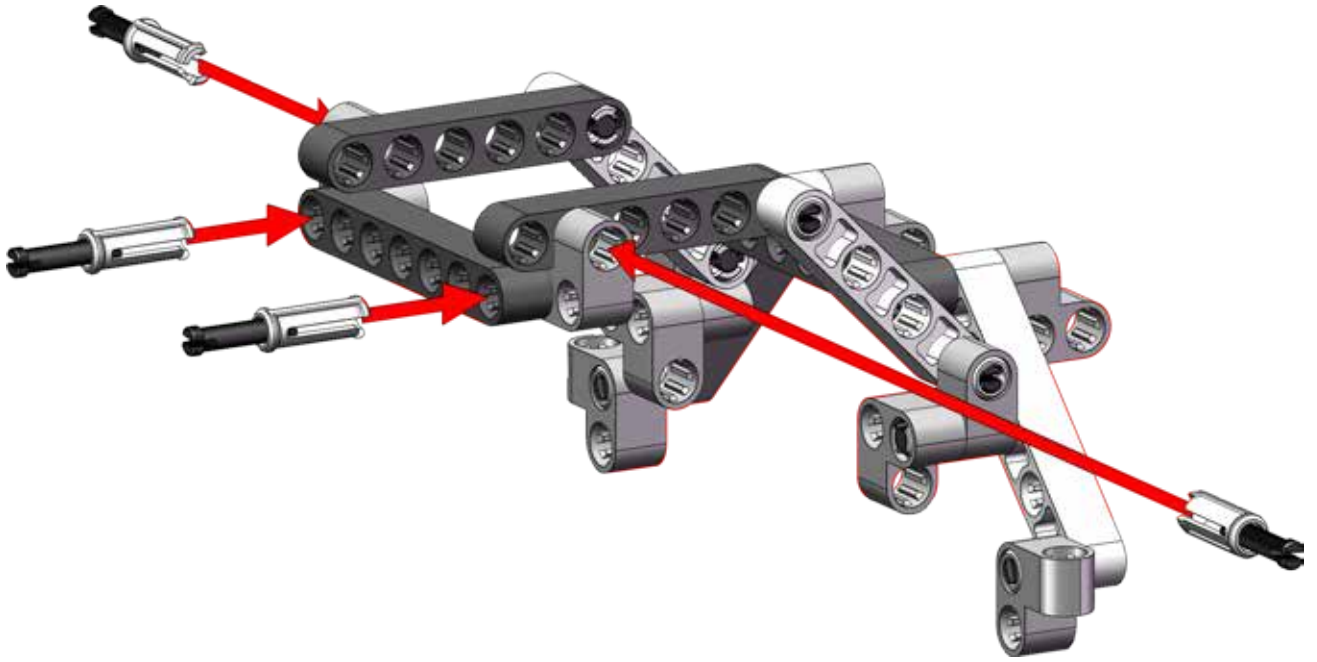


15

x1
7-BEAM

x2
TRANSITION

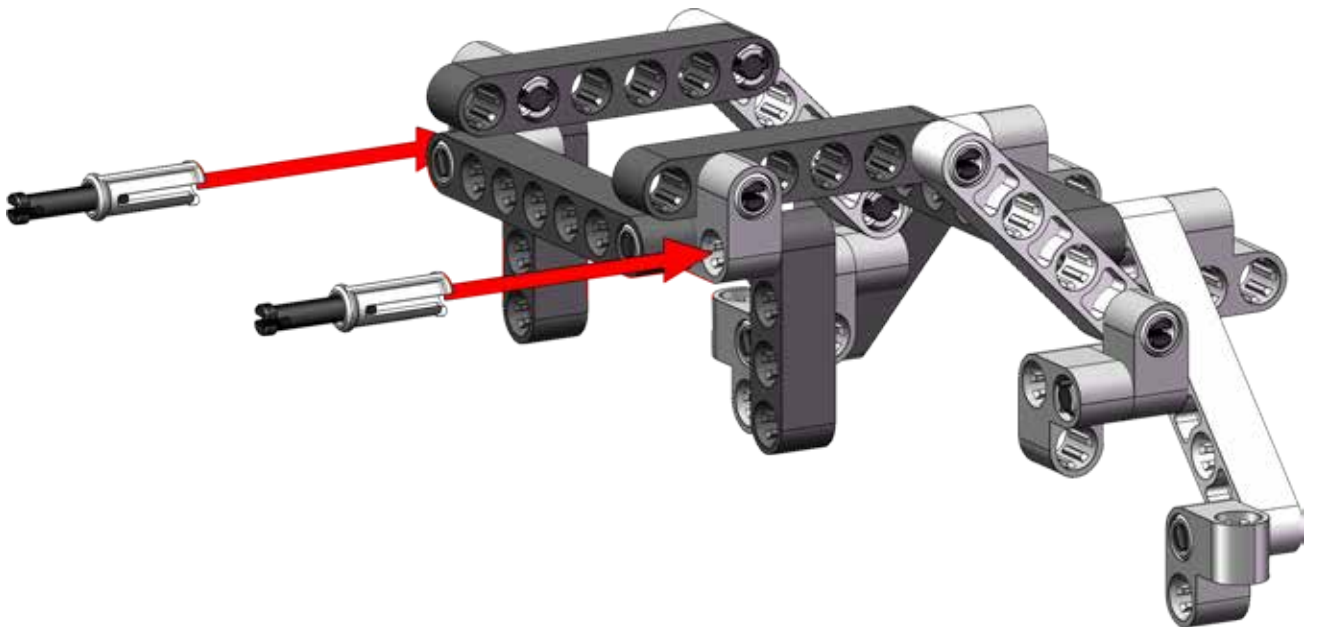
x4
2-LOCK



16

x2
4-BEAM

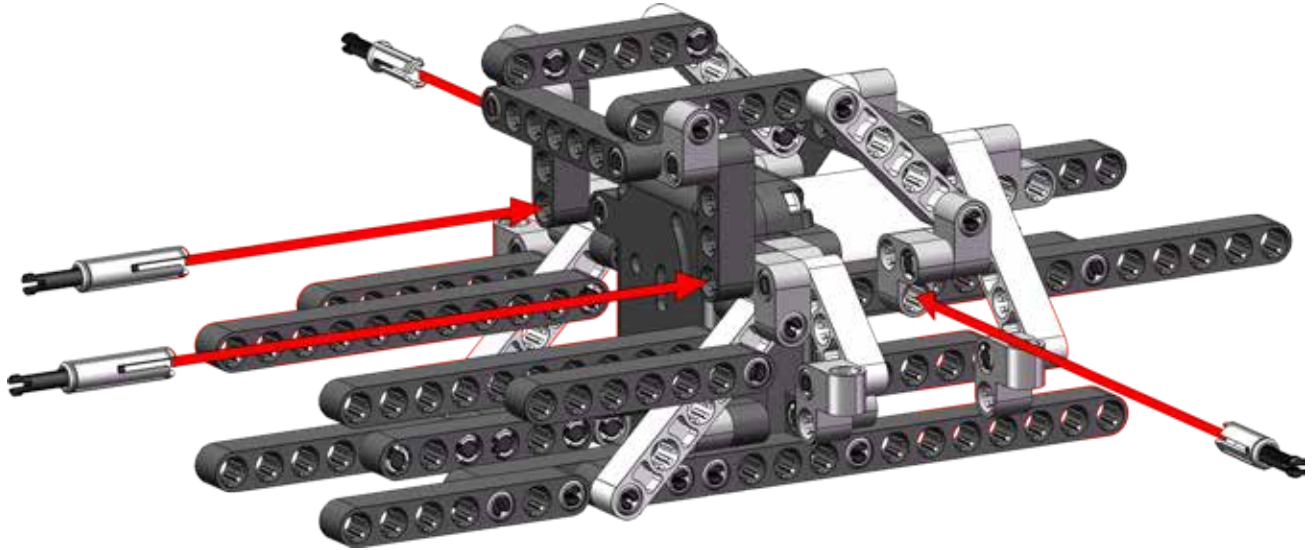
x2
2-LOCK



17

x2
3-LOCK

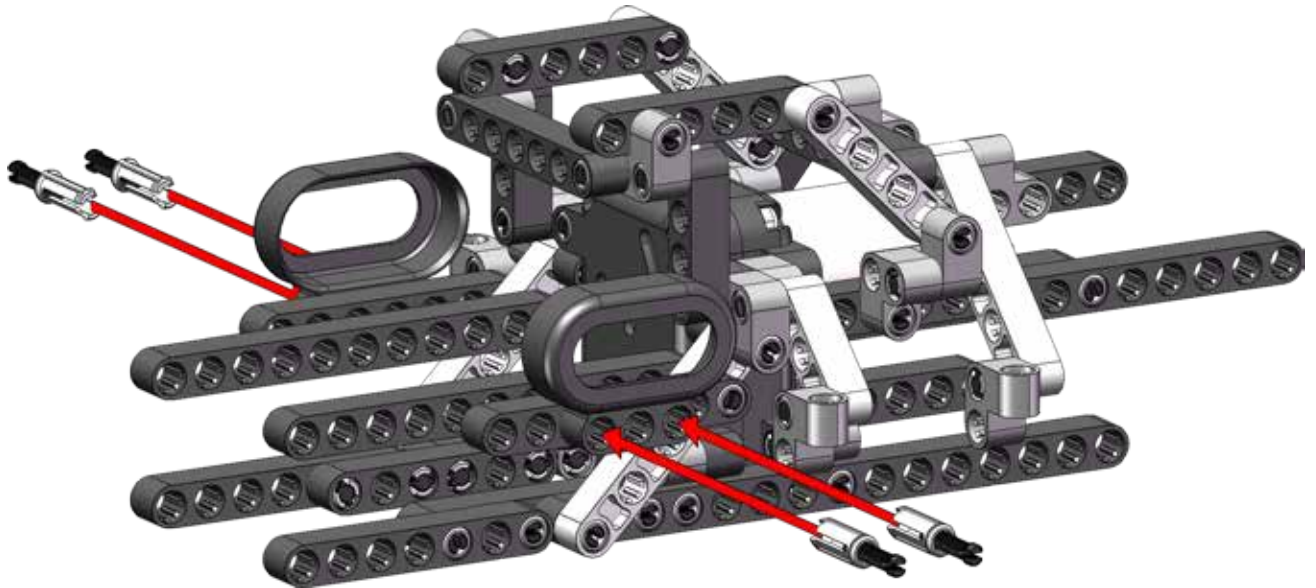
x2
2-LOCK



18

x2
BATTERY CAP

x4
2-LOCK



19


x2
11-BEAM



x1
5-45 BEAM



x1
4-45 BEAM



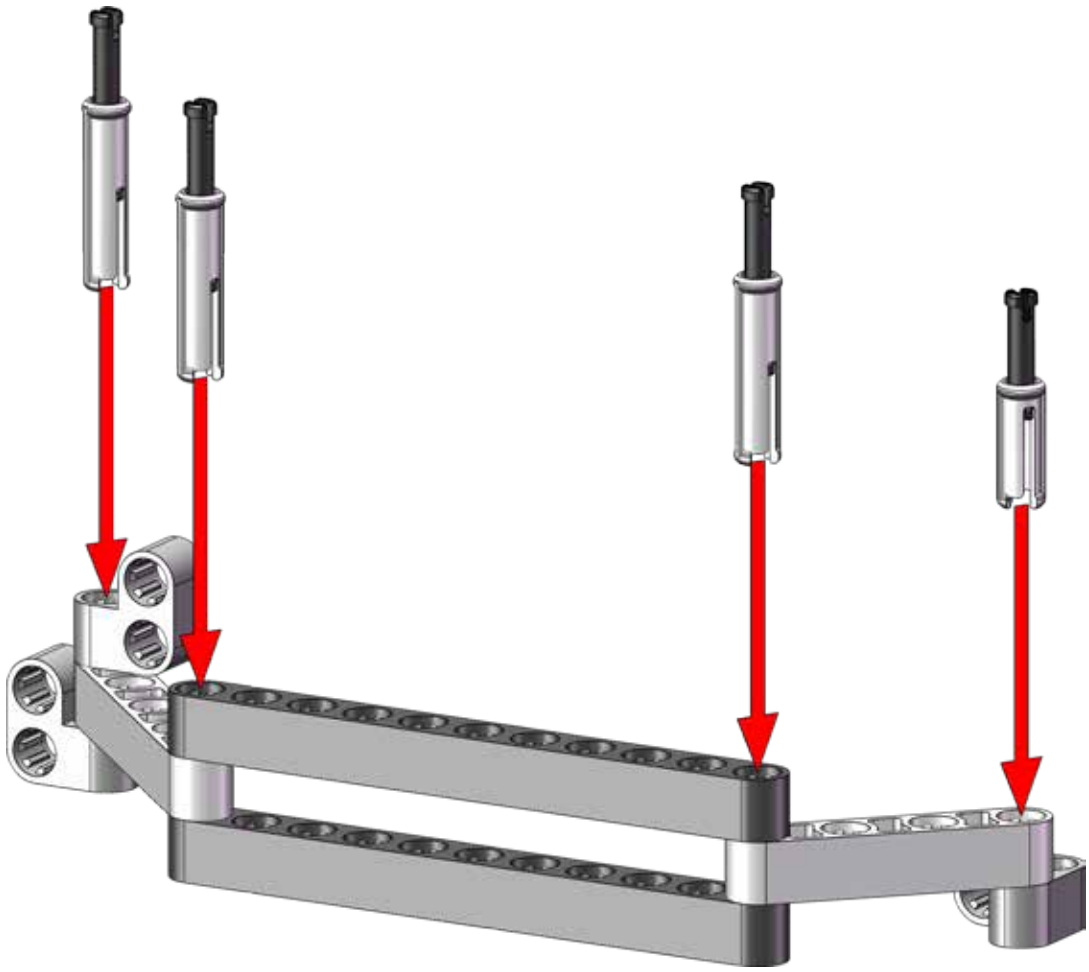
x3
TRANSITION



x3
3-LOCK



x1
2-LOCK

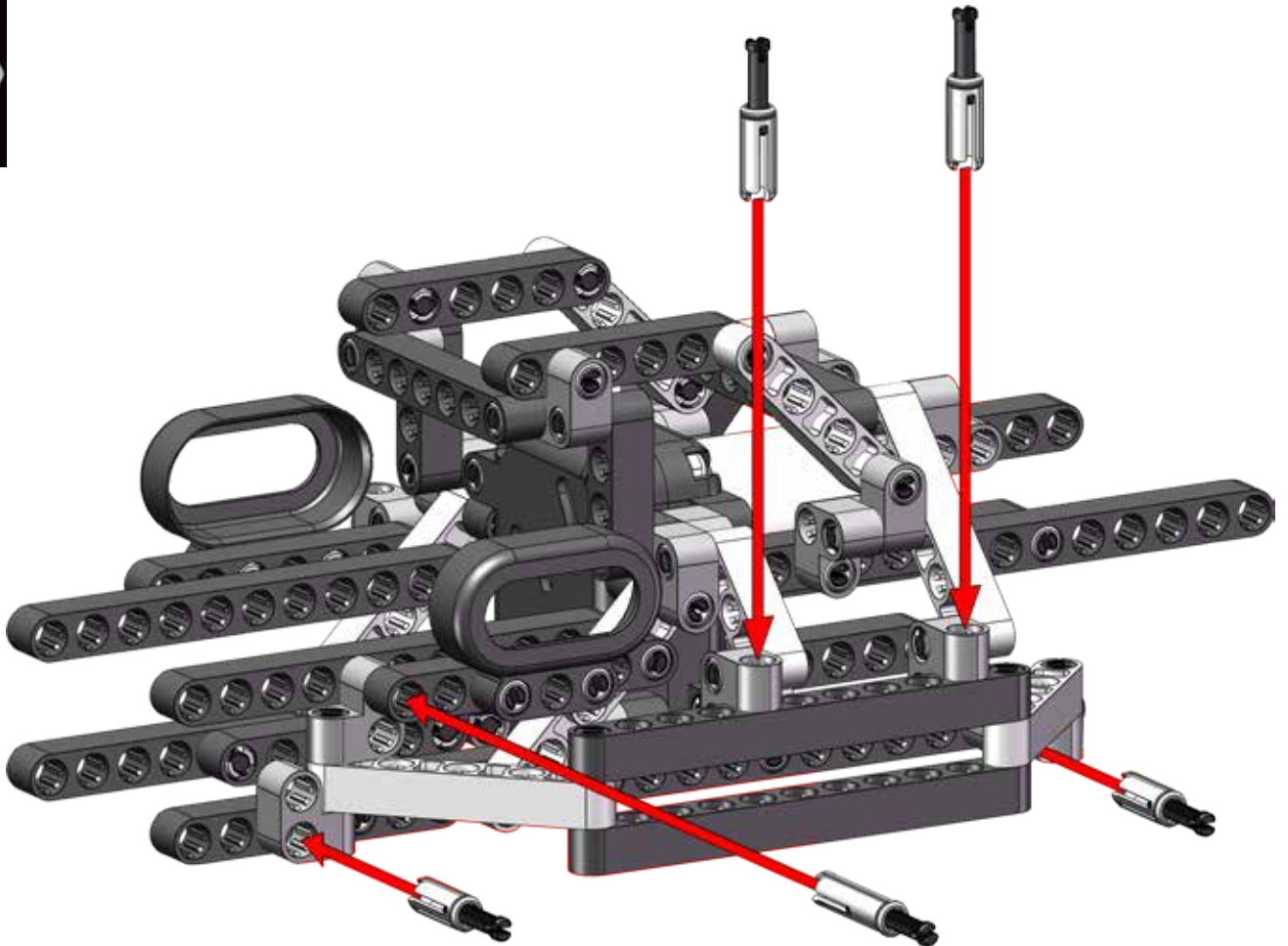



20

x1
3-LOCK



x4
2-LOCK

21

x2
11-BEAM



x1
5-45 BEAM



x1
4-45 BEAM



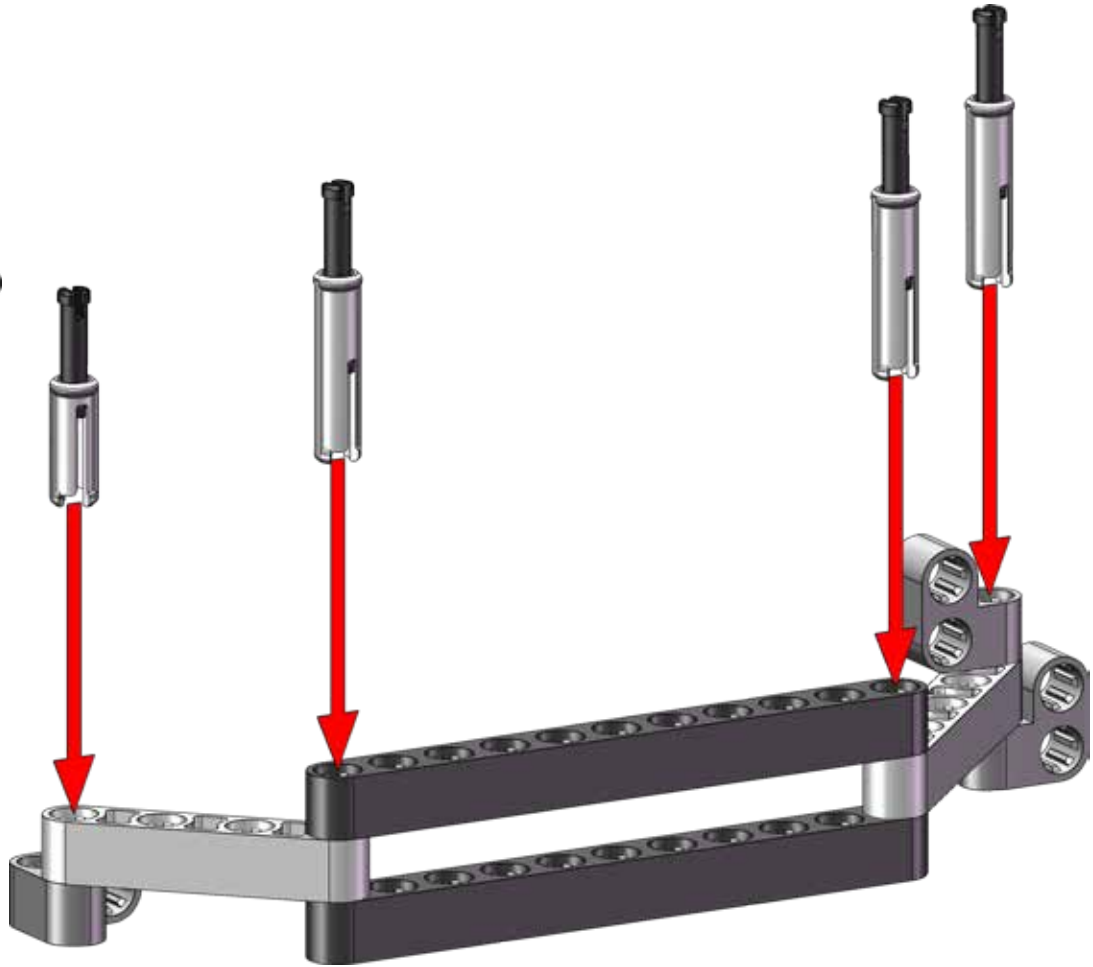
x3
TRANSITION



x3
3-LOCK



x1
2-LOCK

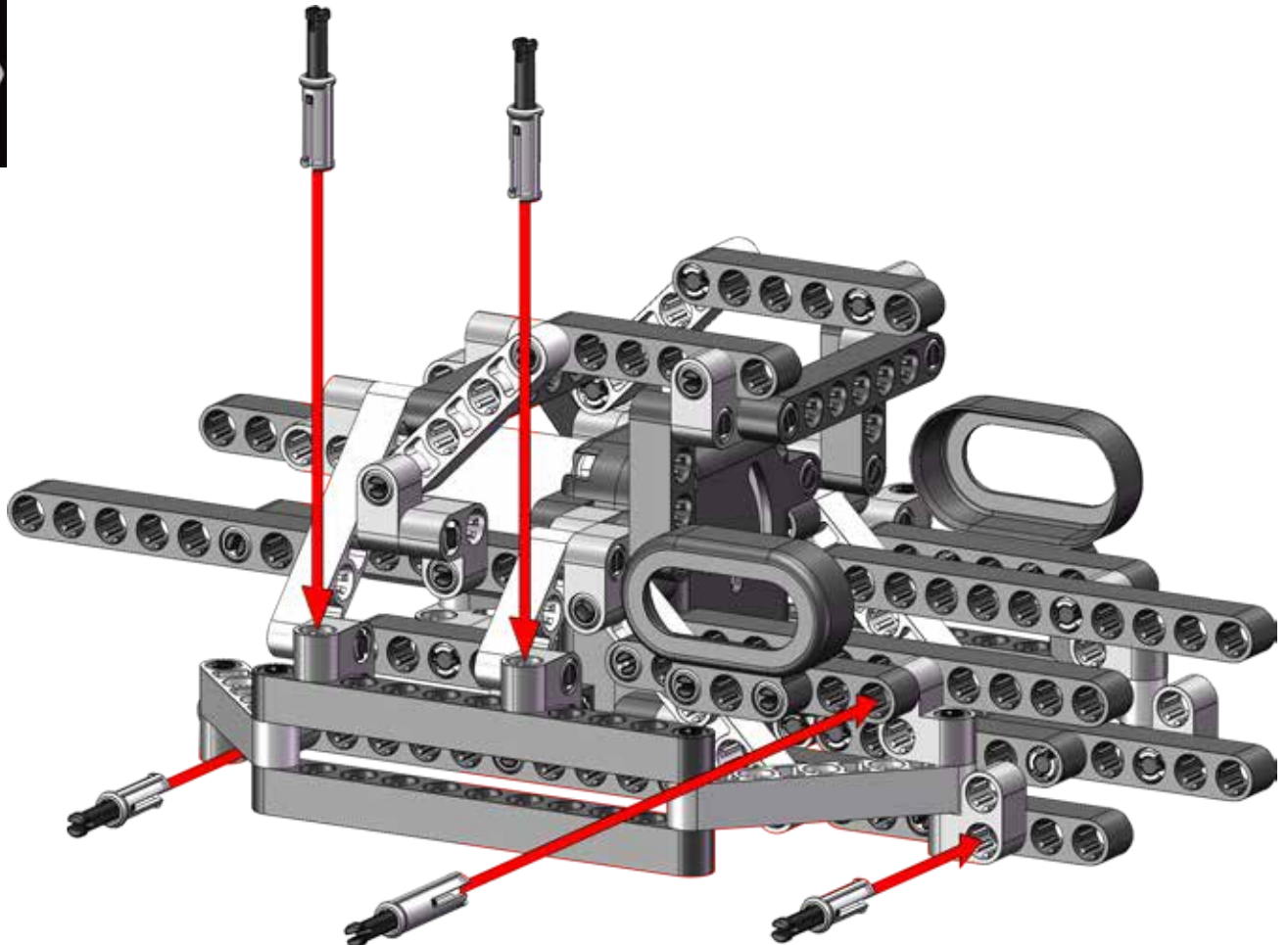



22

x1
3-LOCK



x4
2-LOCK

23

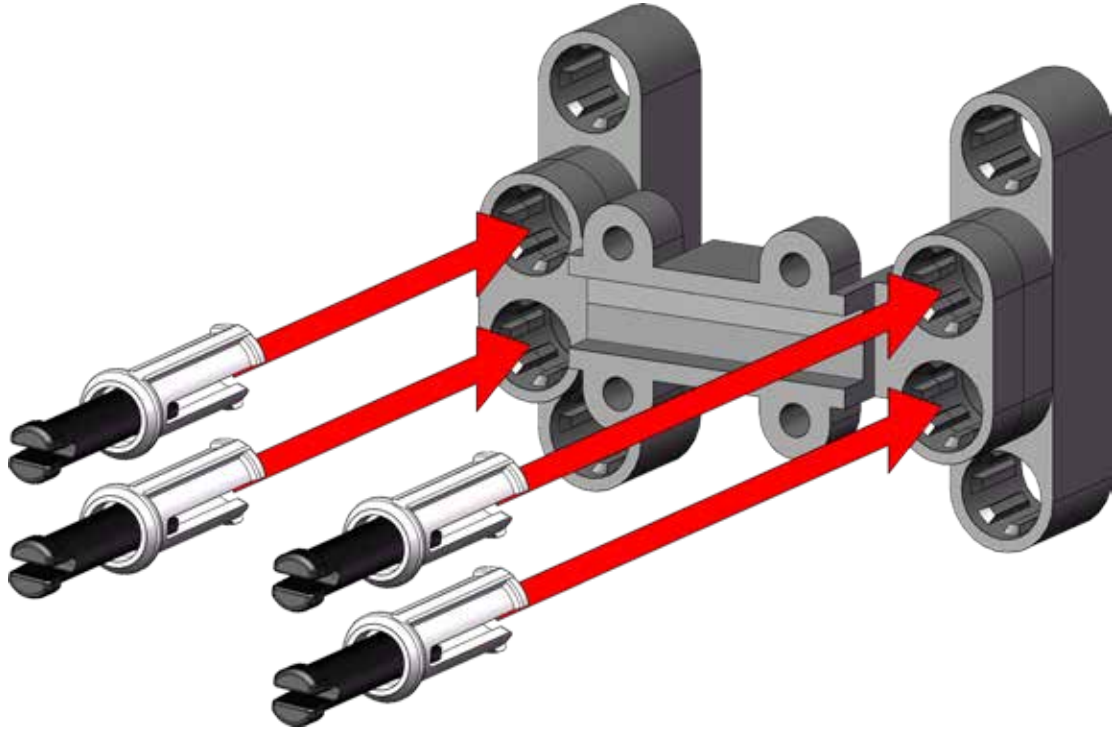
x1
STEERING BRACKET



x2
4-BEAM



x4
2-LOCK



24

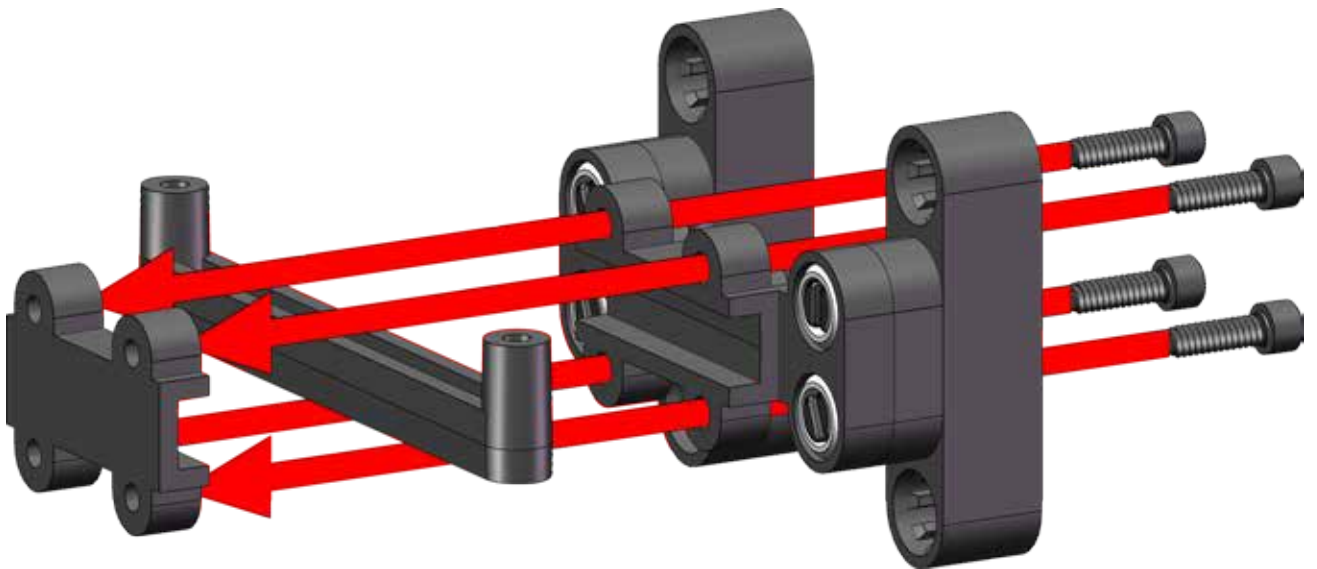
x1
STEERING BAR



x1
STEERING PLATE



x4
#4-40 x 3/8" SCREW



25

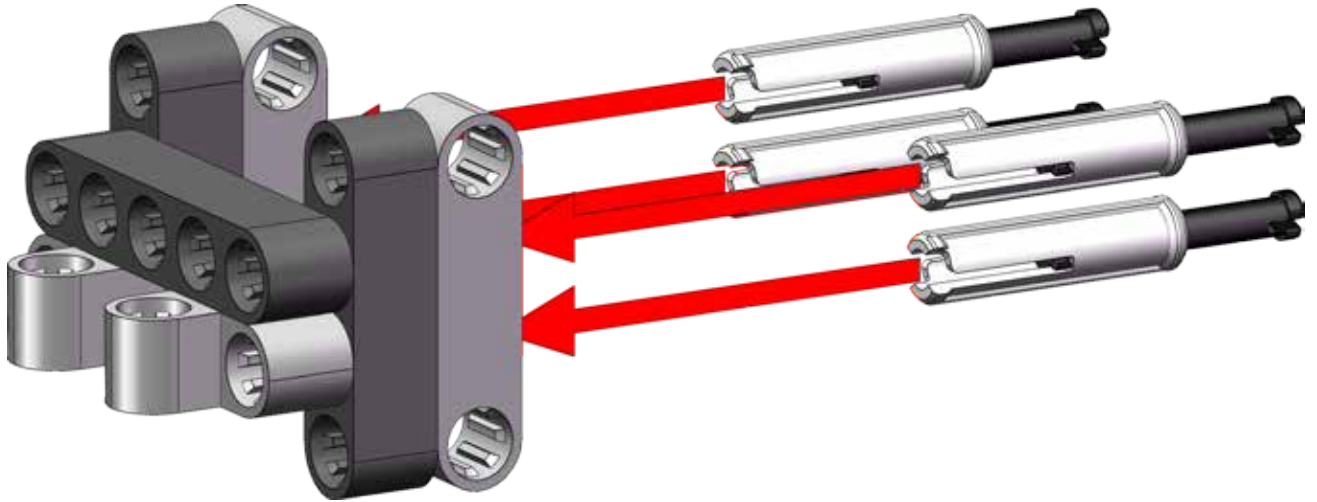
x1
5-BEAM

x2
4-BEAM

x2
DUAL TRANSITION

x2
TRANSITION

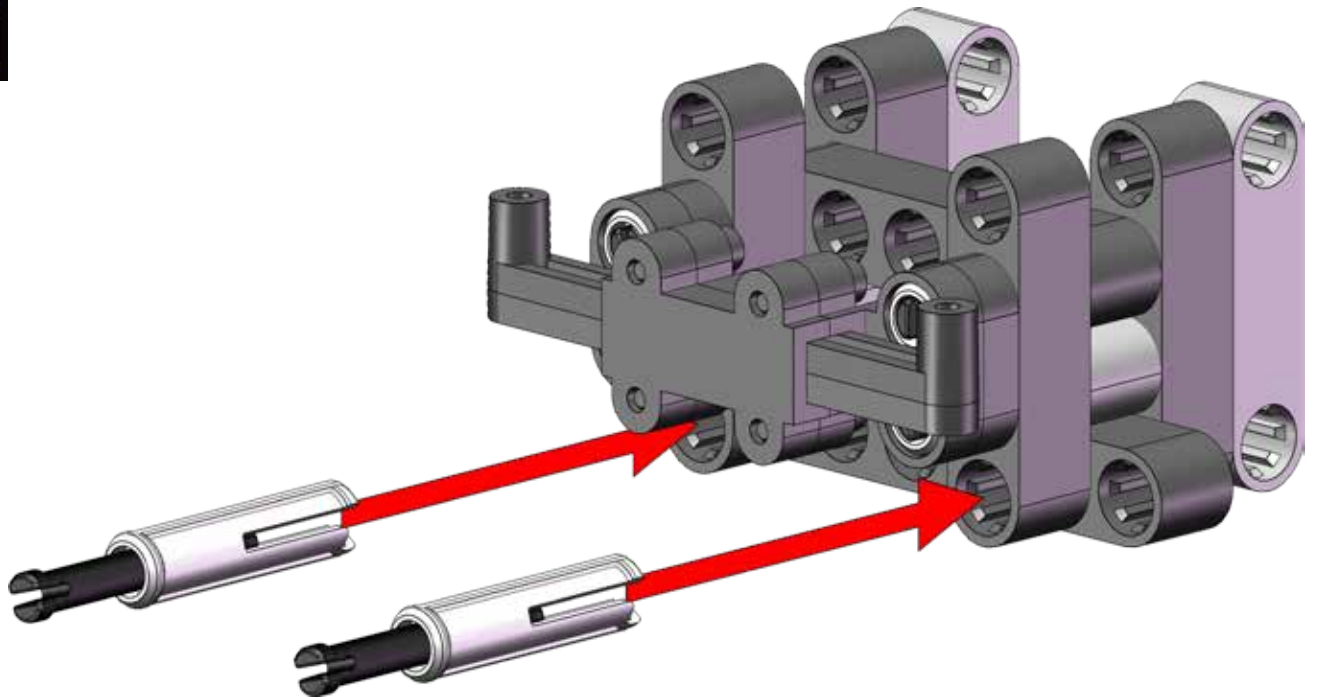
x4
3-LOCK



26

x1
7-BEAM

x2
3-LOCK

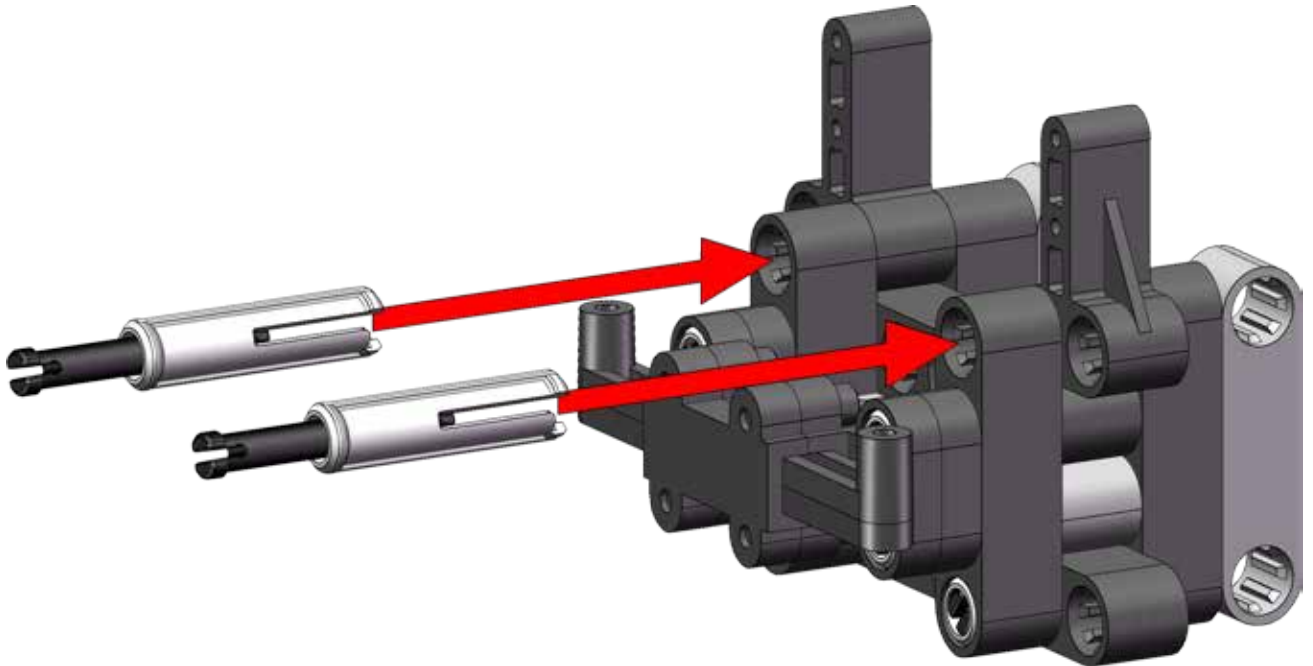


27

x2
SERVO MOUNT



x2
3-LOCK

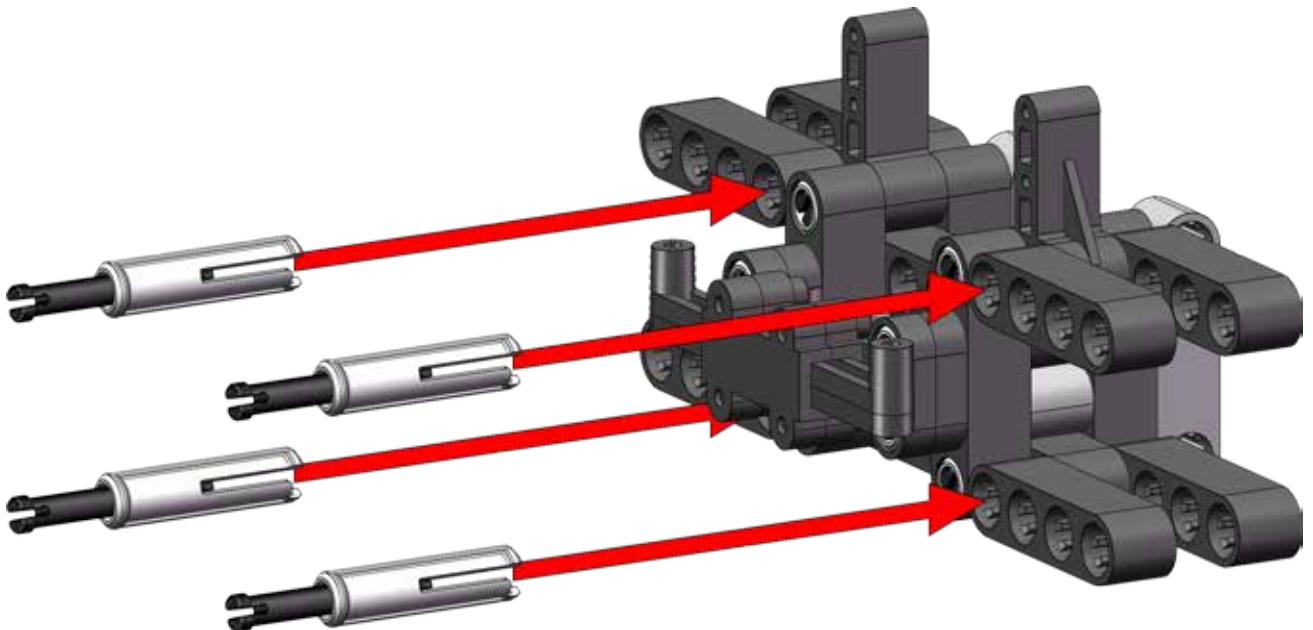


28

x8
4-BEAM



x4
3-LOCK





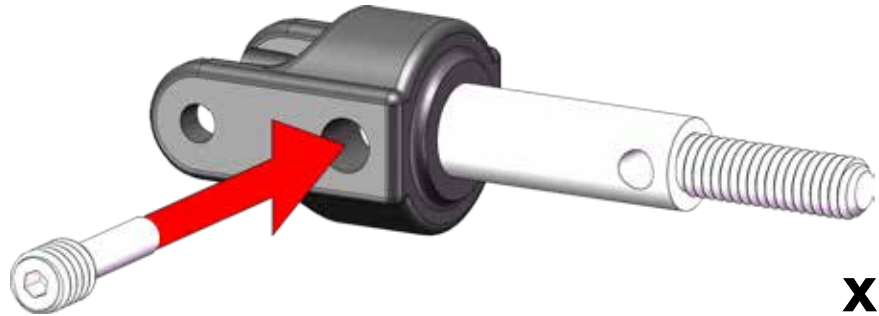
x2
YOKE



x2
M4 WHEEL END SHAFT



x2
U-JOINT SET SCREW



x2
FRONT WHEEL HUB



x2
FRONT WHEEL KNUCKLE



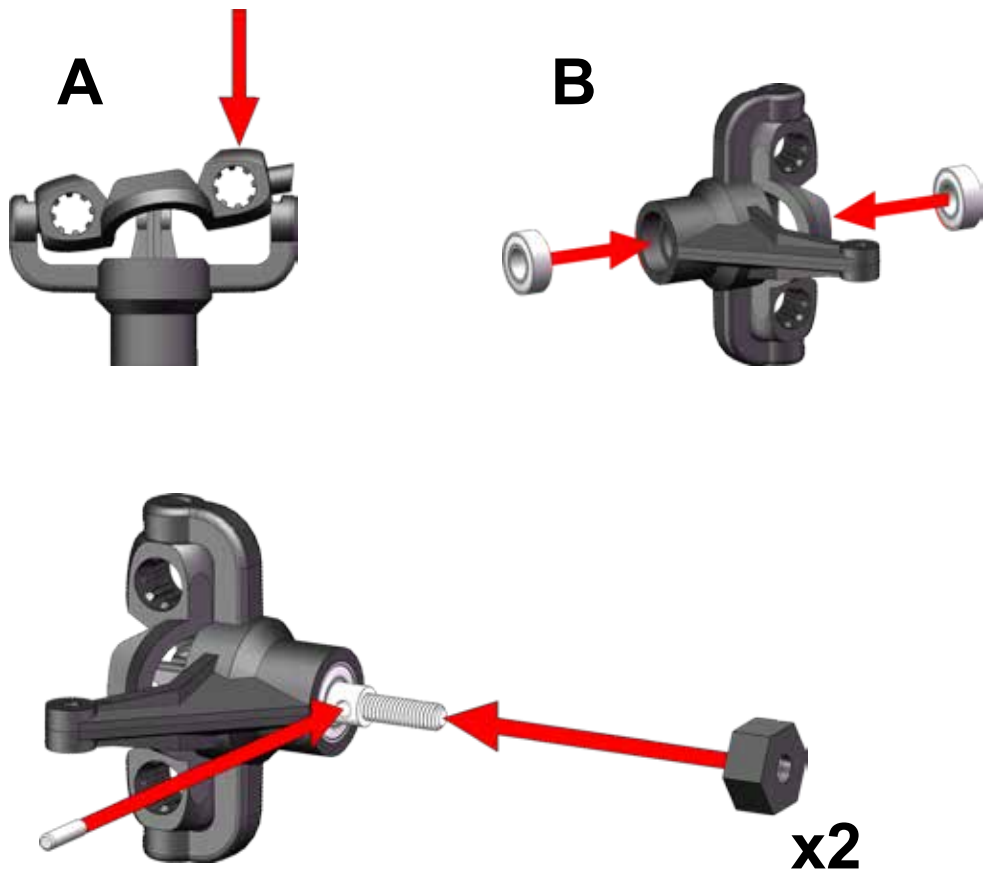
x2
12mm WHEEL NUT



x2
2.5x10mm DOWEL PIN

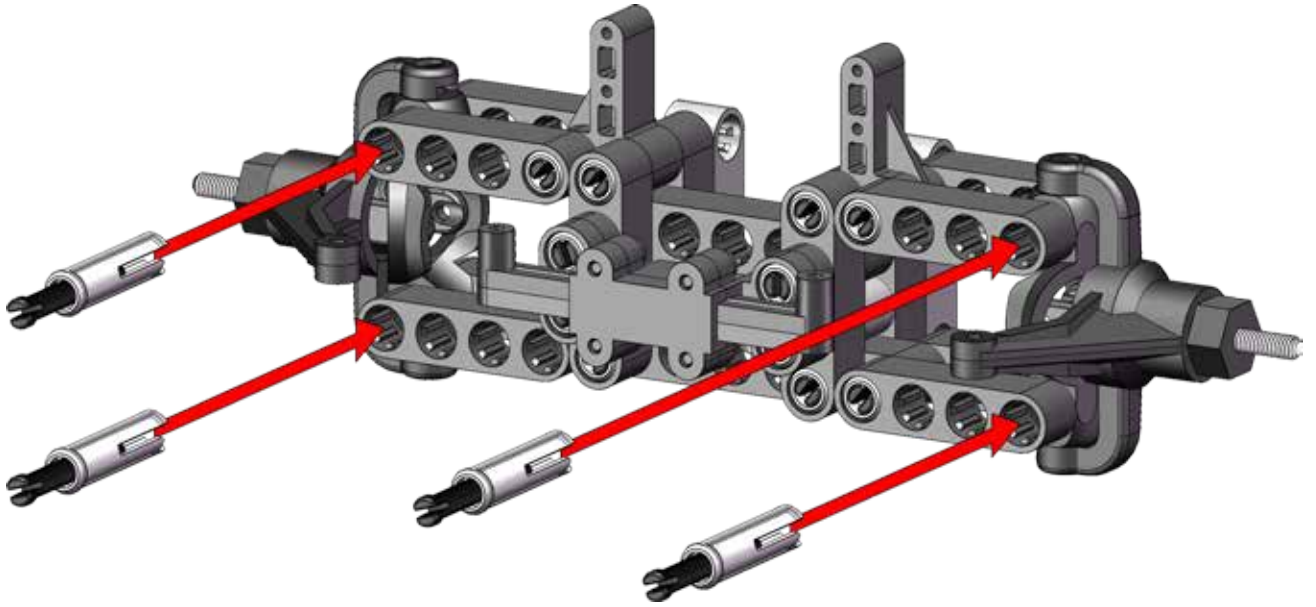


x4
6x12x4mm BEARING



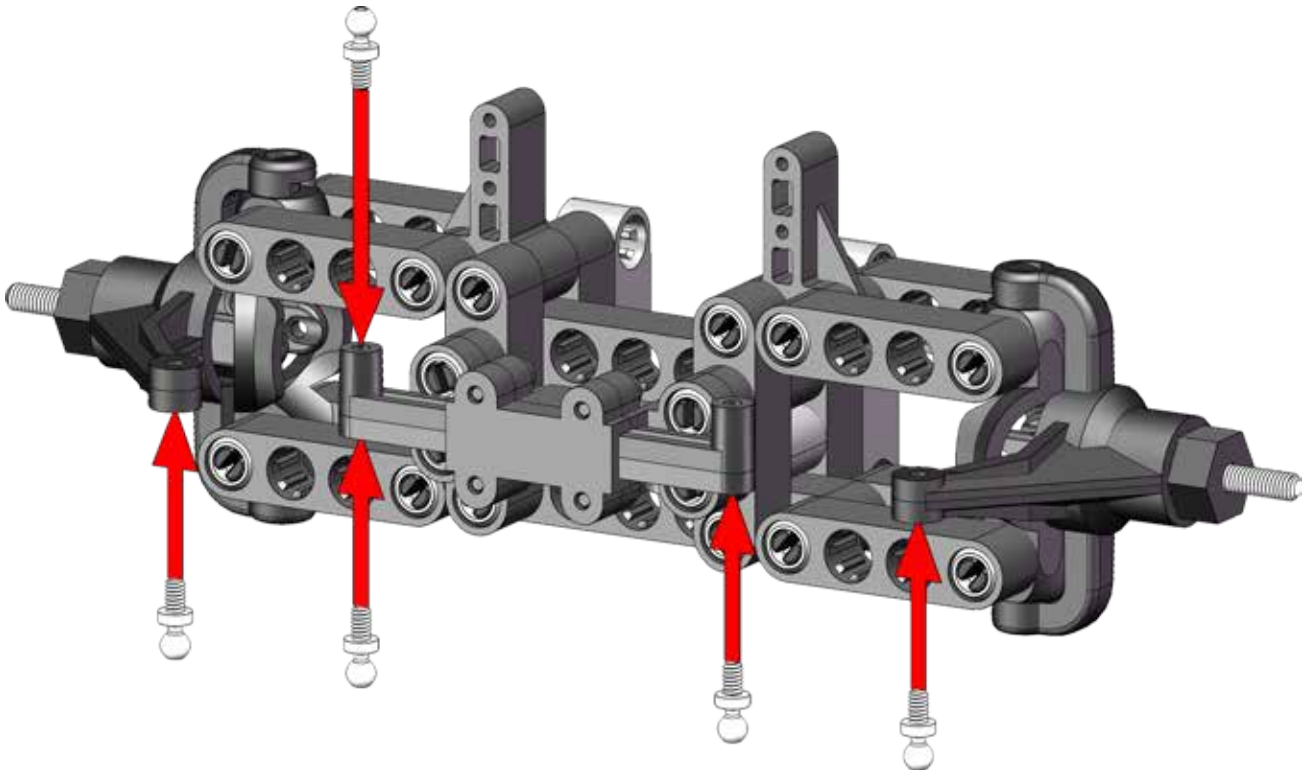
31

x4
3-LOCK



32

x5
3/16" BALL STUD

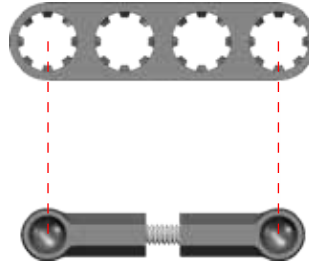




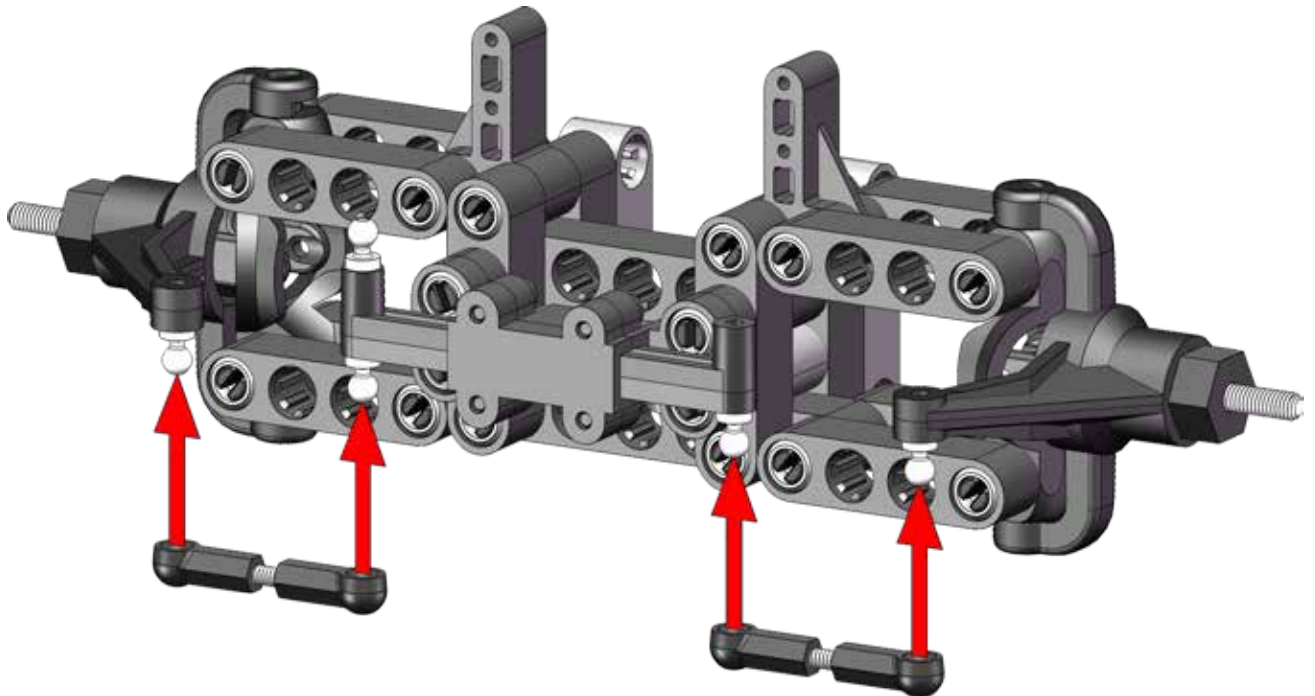
x2
#4-40 x 3/4" THREAD ROD



x4
13mm BALL CUP



1:1 SCALE
x2





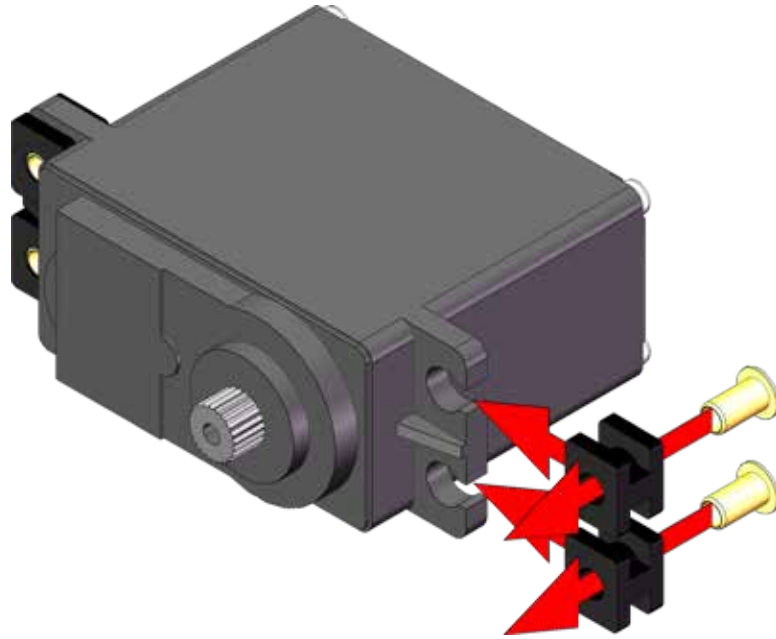
x1
HS-485HB SERVO



x4
SERVO BUSHING



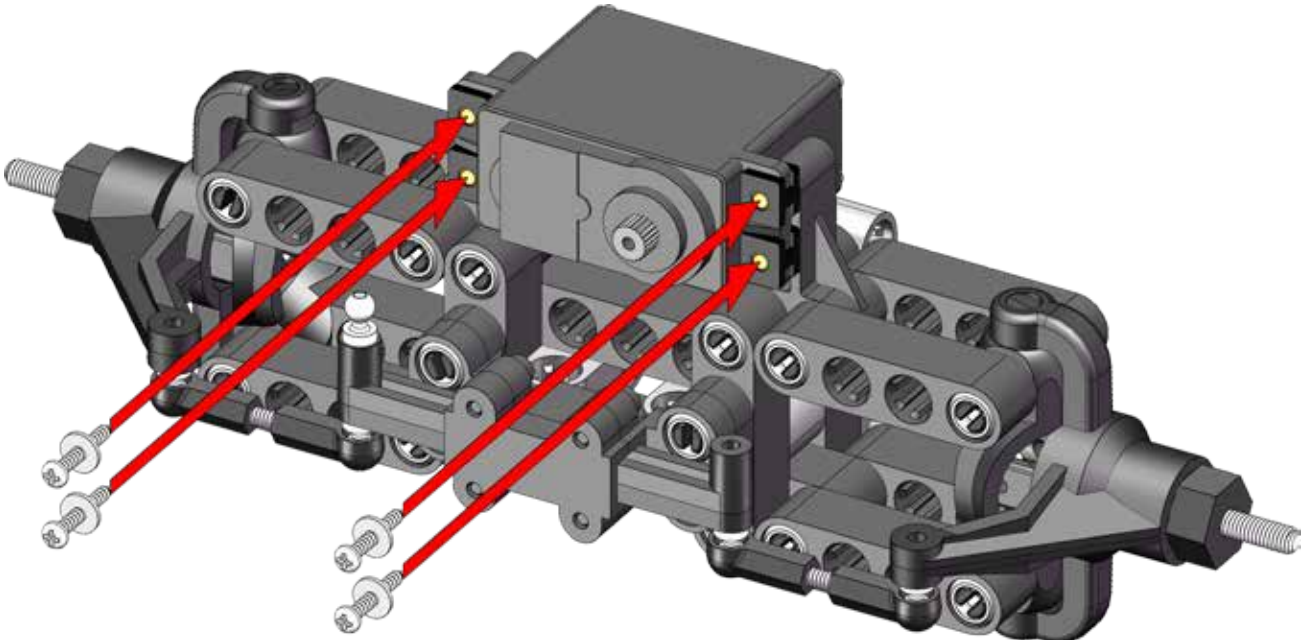
x4
SERVO BUSHING SLEEVE



x4
#2-32 x 5/8" SCREW



x4
#2 WASHER





x1
#4-40 x 1" THREAD ROD

x2
18mm BALL CUP



1:1 SCALE

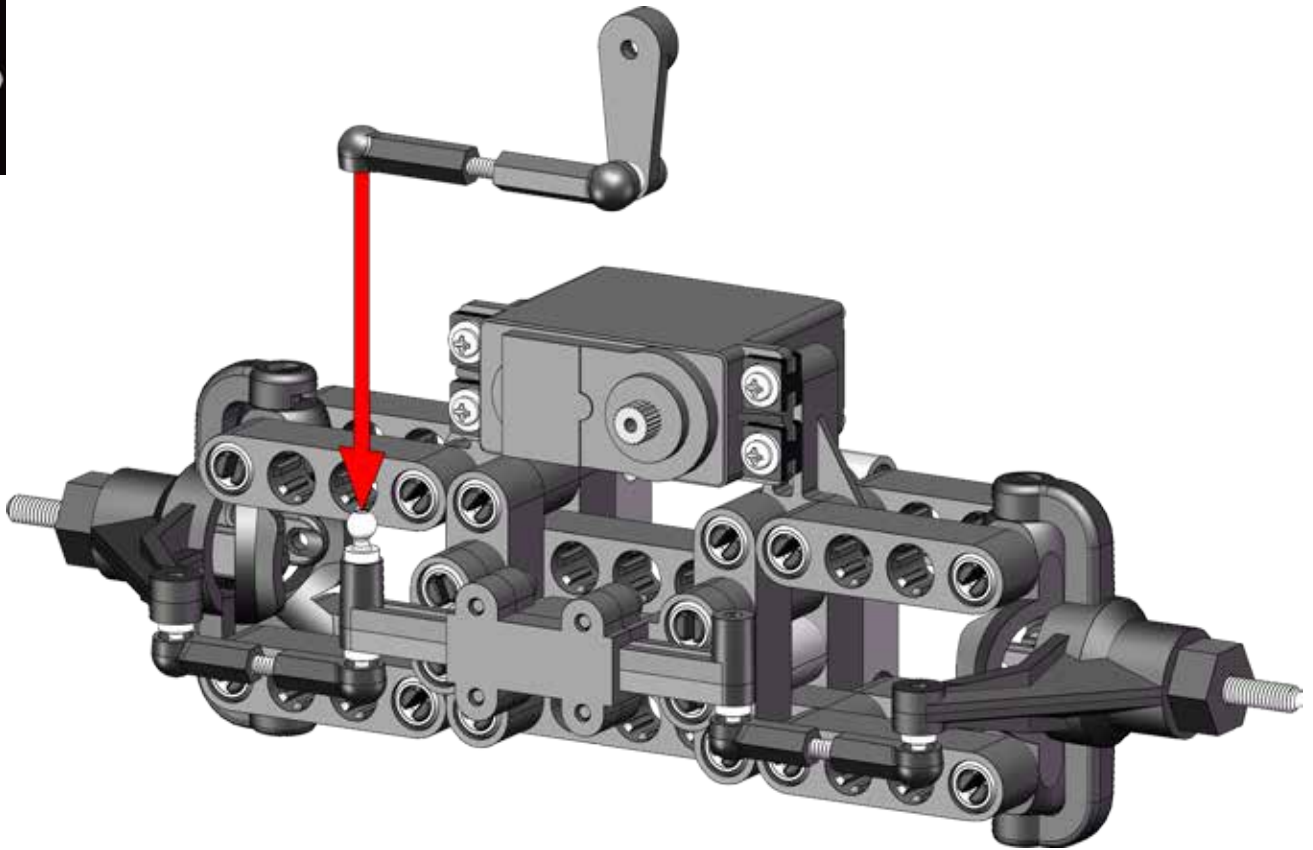


x1
STEERING SERVO HORN

x1
3/16" BALL STUD



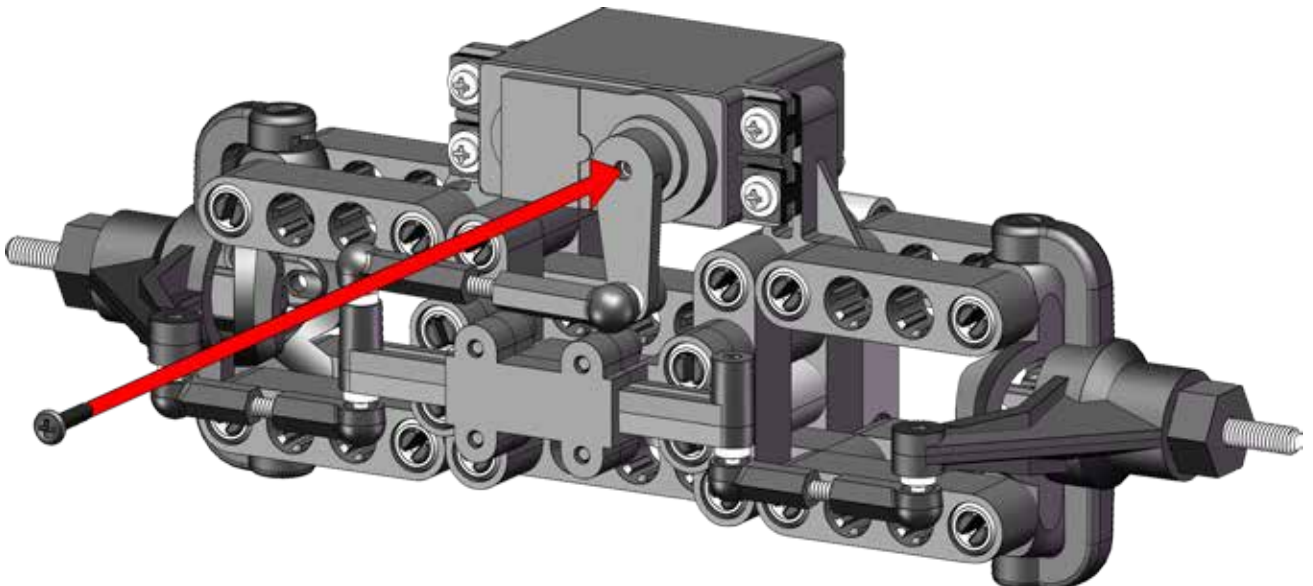
39



NOTE: REFER TO RADIO CONTROL SYSTEM INSTRUCTION MANUAL FOR PROPER SERVO SET-UP AND ADJUSTMENT

40

x1
SERVO HORN SCREW



41

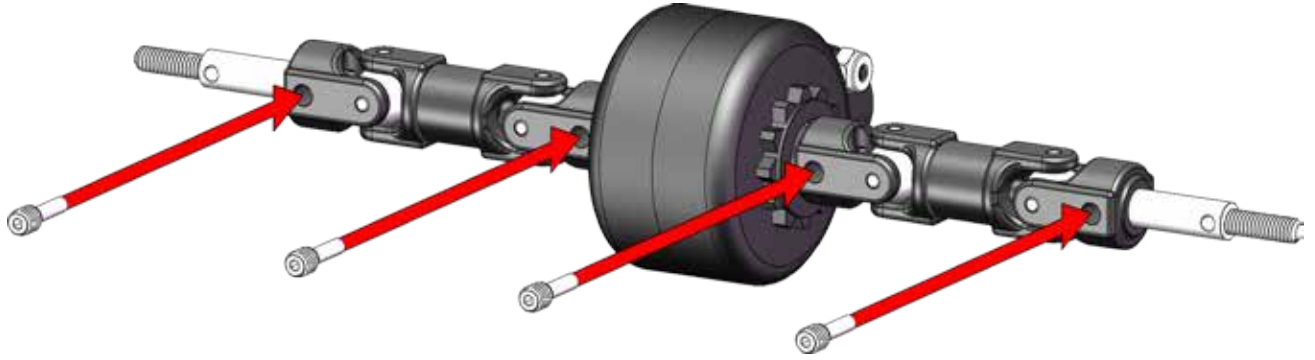
x2
1-DRIVELINE



x2
M4 WHEEL END SHAFT



x4
U-JOINT SET SCREW



42

x2
AXLE HOUSING



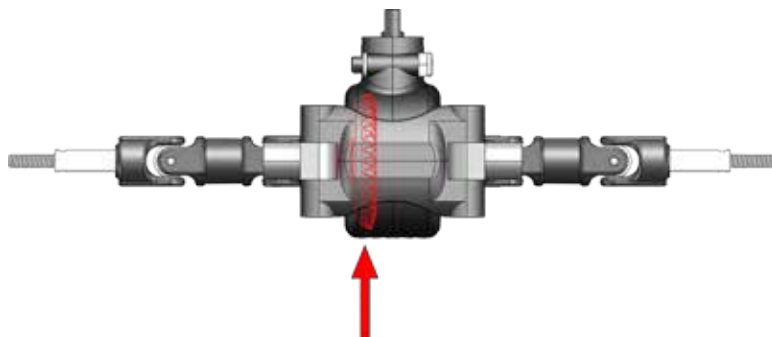
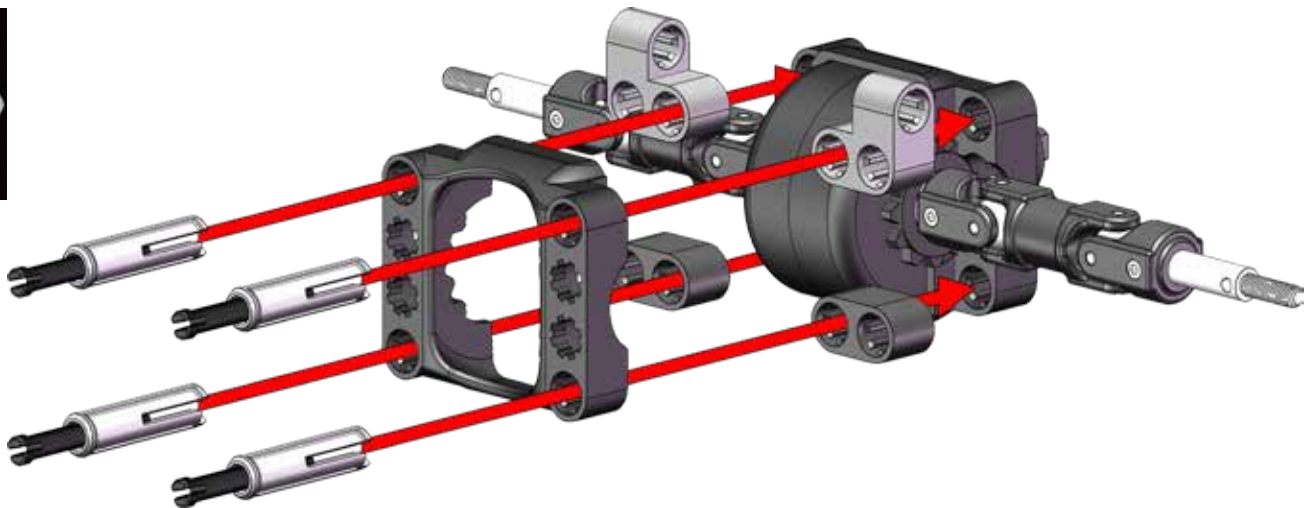
x2
2-BEAM



x2
TRANSITION



x4
3-LOCK



43

x2
REAR WHEEL HUB



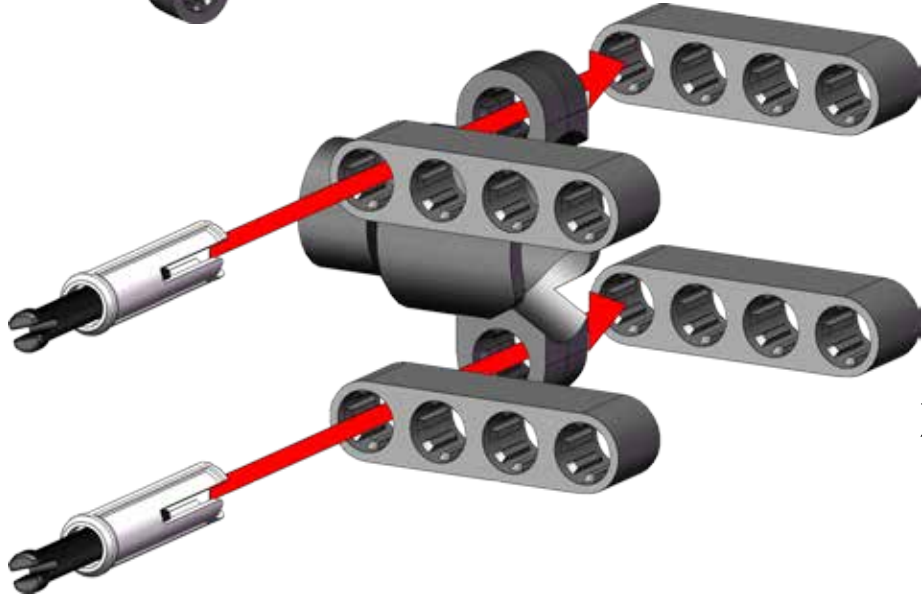
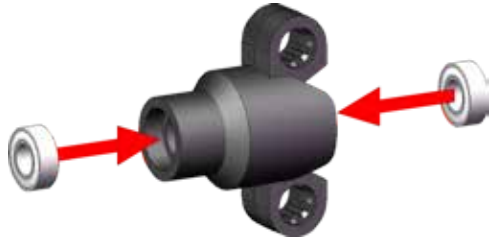
x8
4-BEAM



x4
3-LOCK



x4
6x12x4mm BEARING

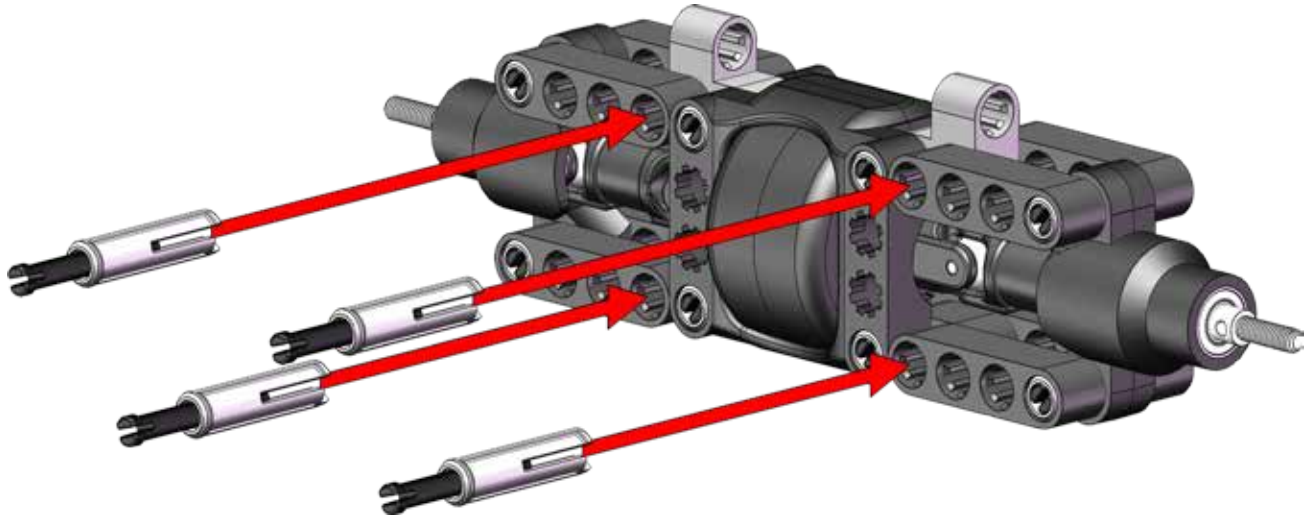


44





x4
3-LOCK

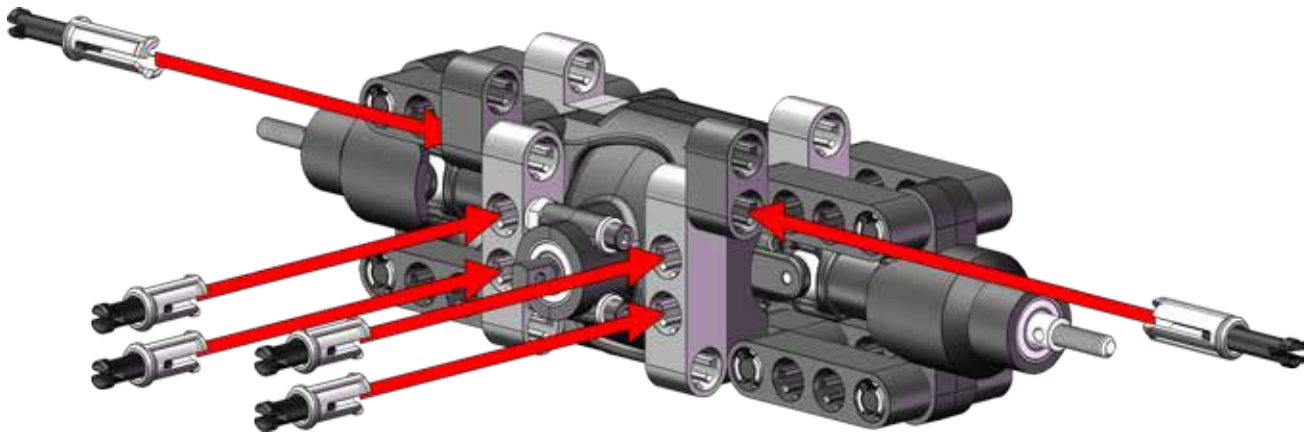


x2
2-BEAM

x2
DUAL TRANSITION

x2
2-LOCK

x4
1.5-LOCK

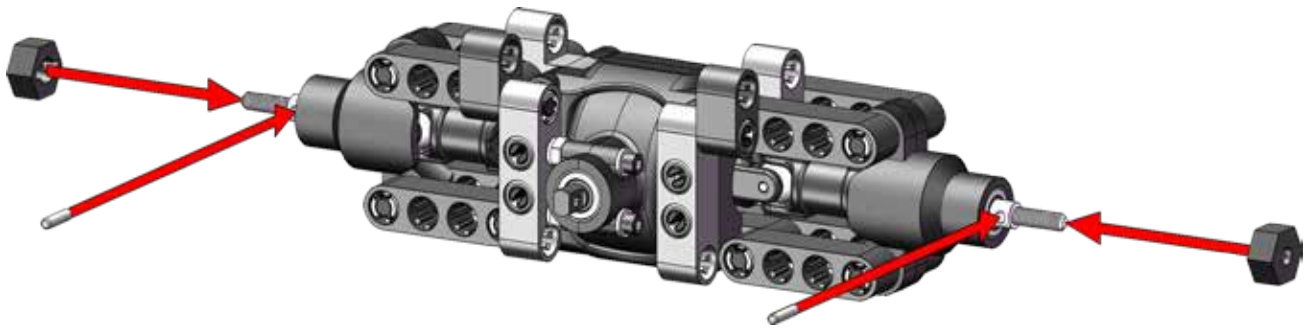




x2
12mm WHEEL NUT



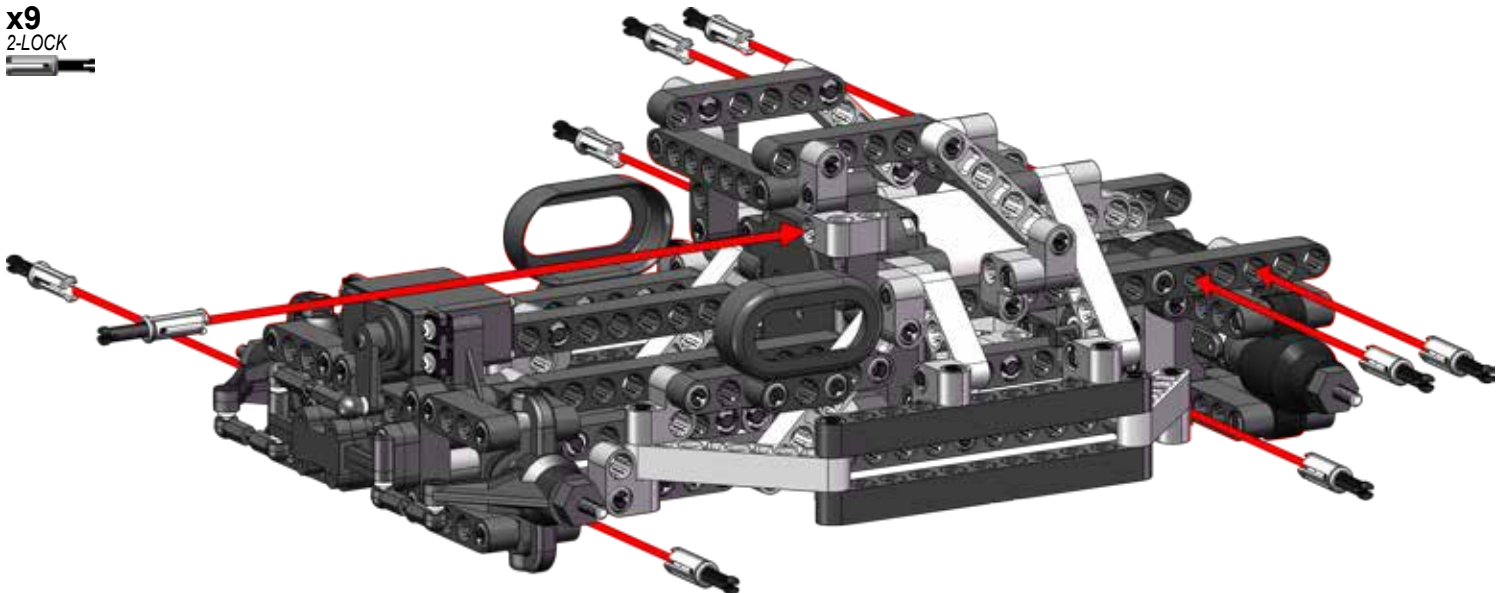
x2
2.5x10mm DOWEL PIN



x1
TRANSITION



x9
2-LOCK



49

x2
6-BEAM

x2
DUAL TRANSITION

x2
TRANSITION

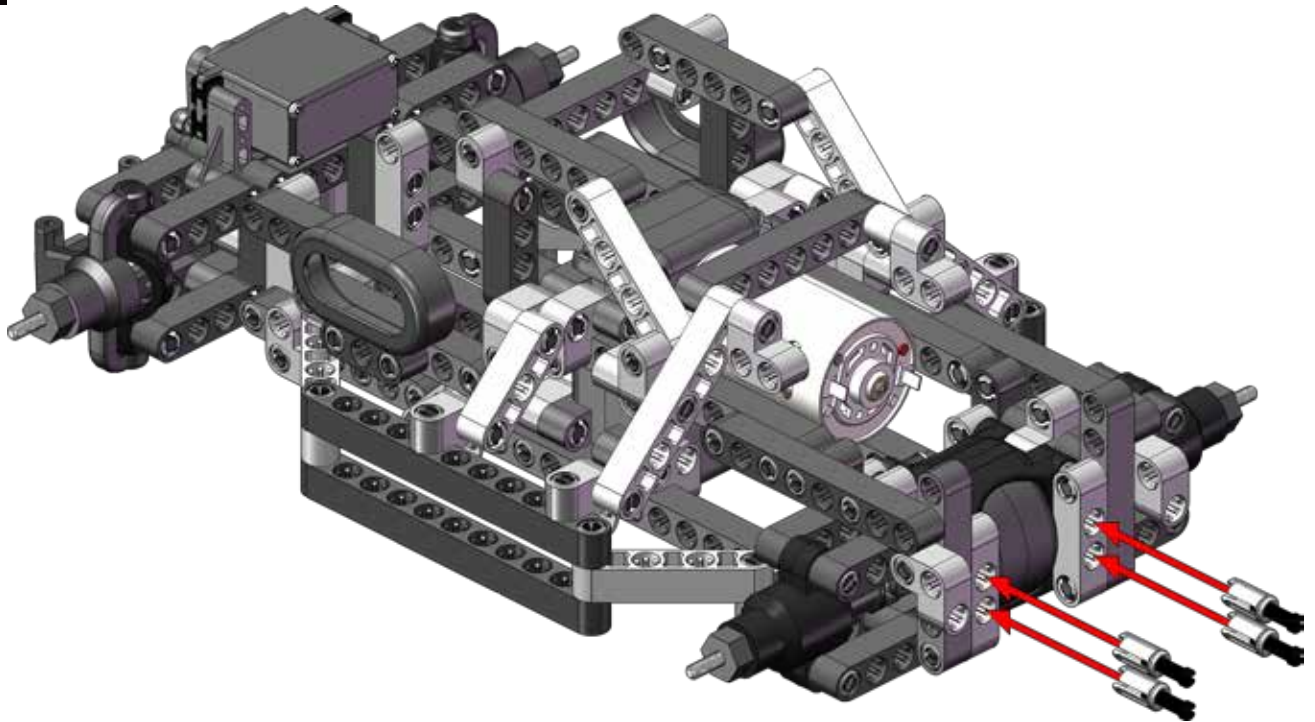
x2
3-LOCK

x2
2-LOCK



50

x4
1.5-LOCK



51

x2
11-BEAM



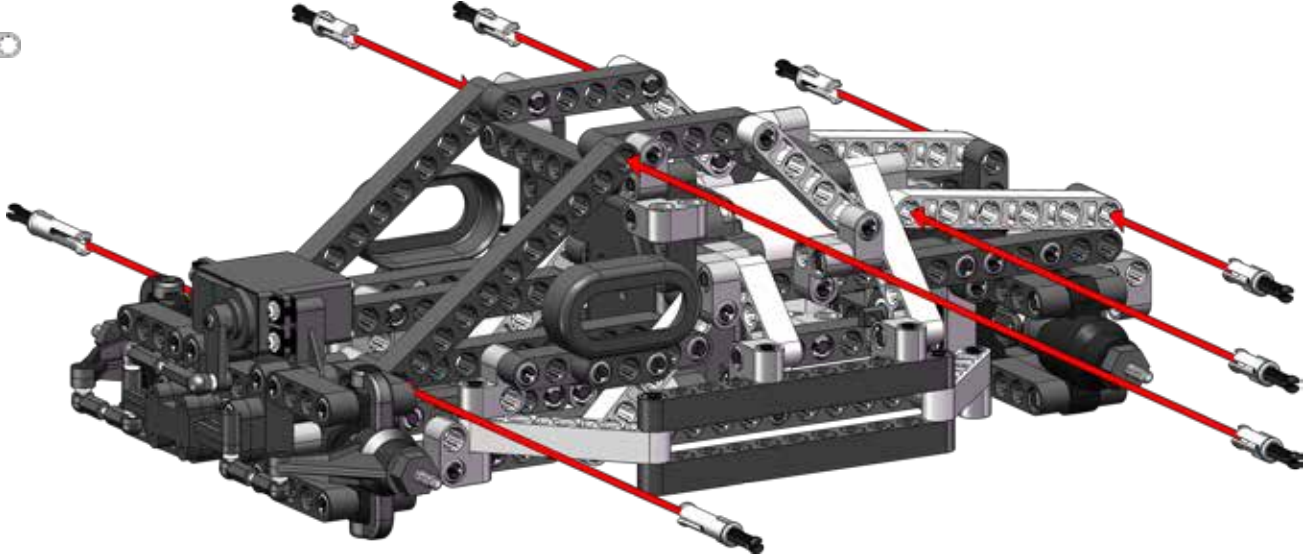
x2
6-45 BEAM



x2
3-ROTATE



x6
2-ROTATE



52

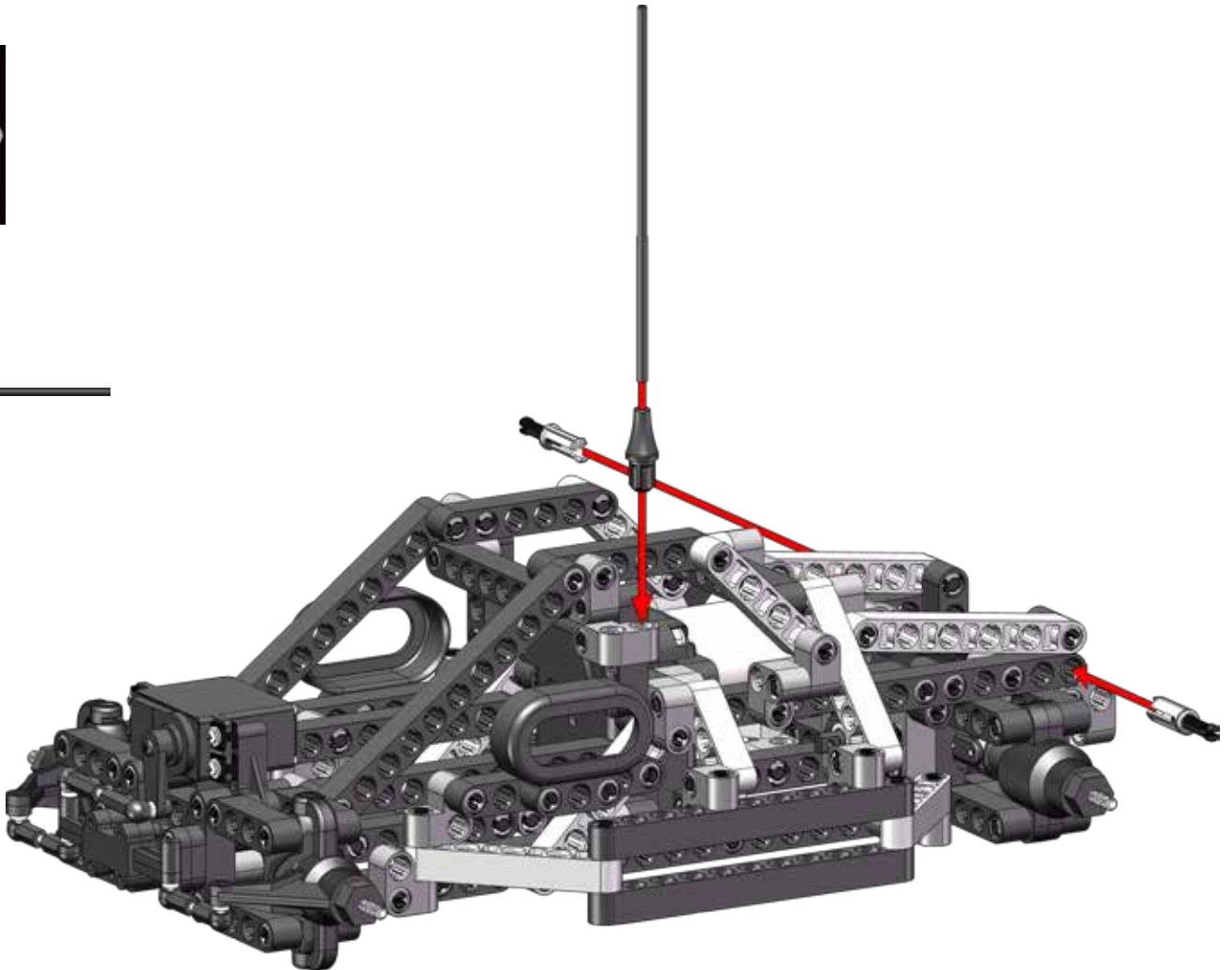
x1
ANTENNA MOUNT



x1
ANTENNA TUBE



x2
2-LOCK

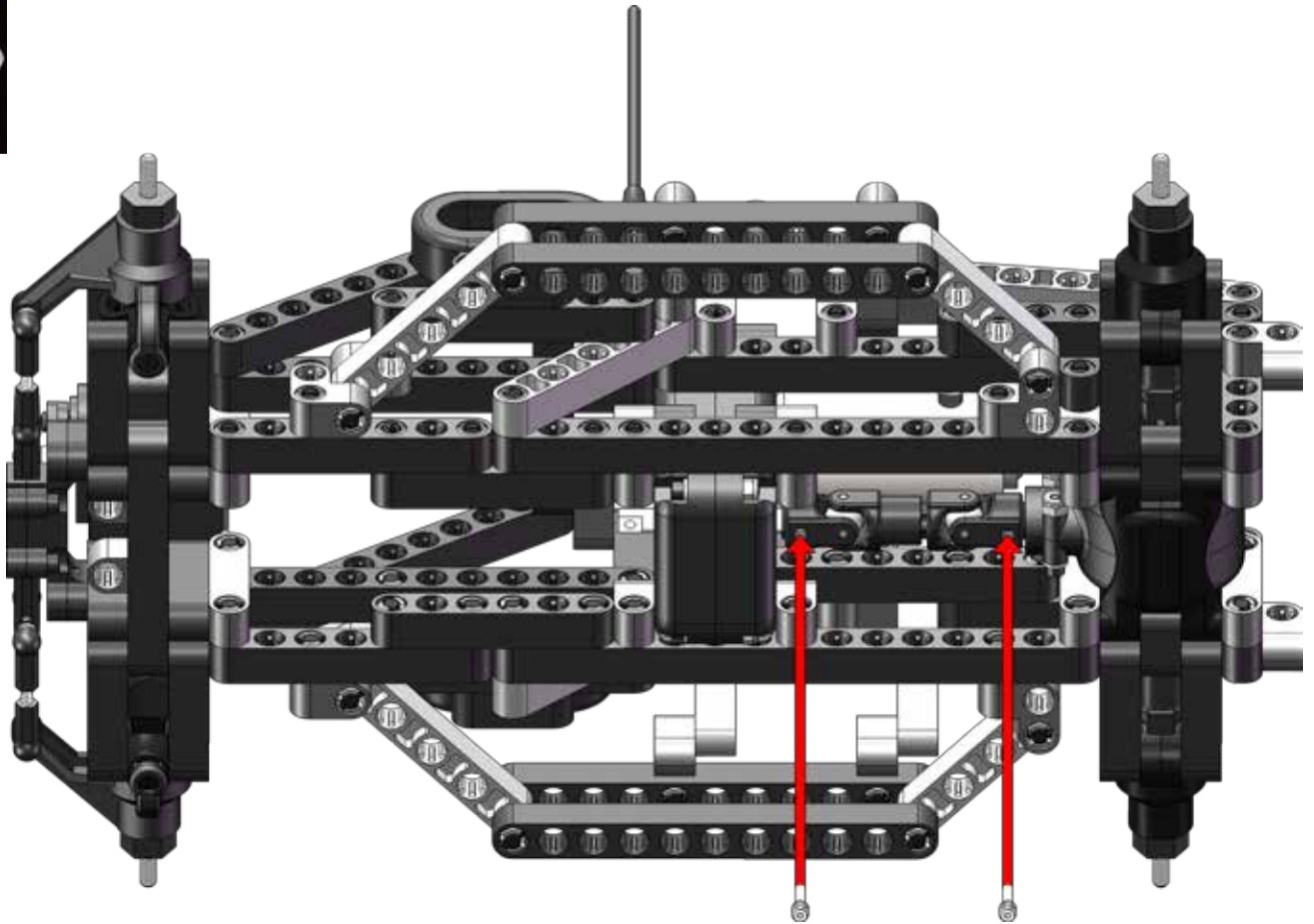


53

x1
1-DRIVELINE



x2
U-JOINT SET SCREW



54

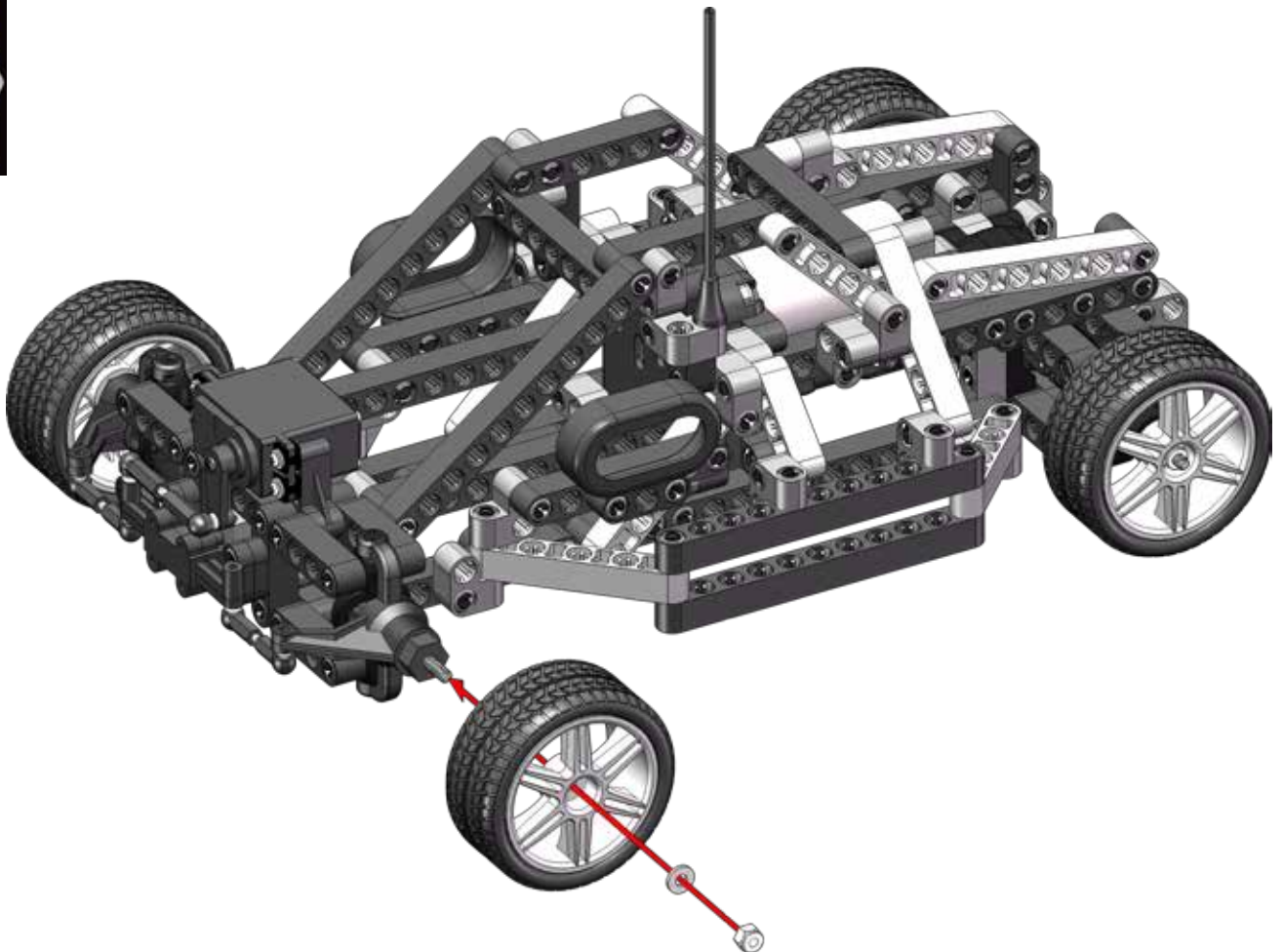
x4
RACECAR WHEEL



x4
M4 WASHER



x4
M4 NUT



55

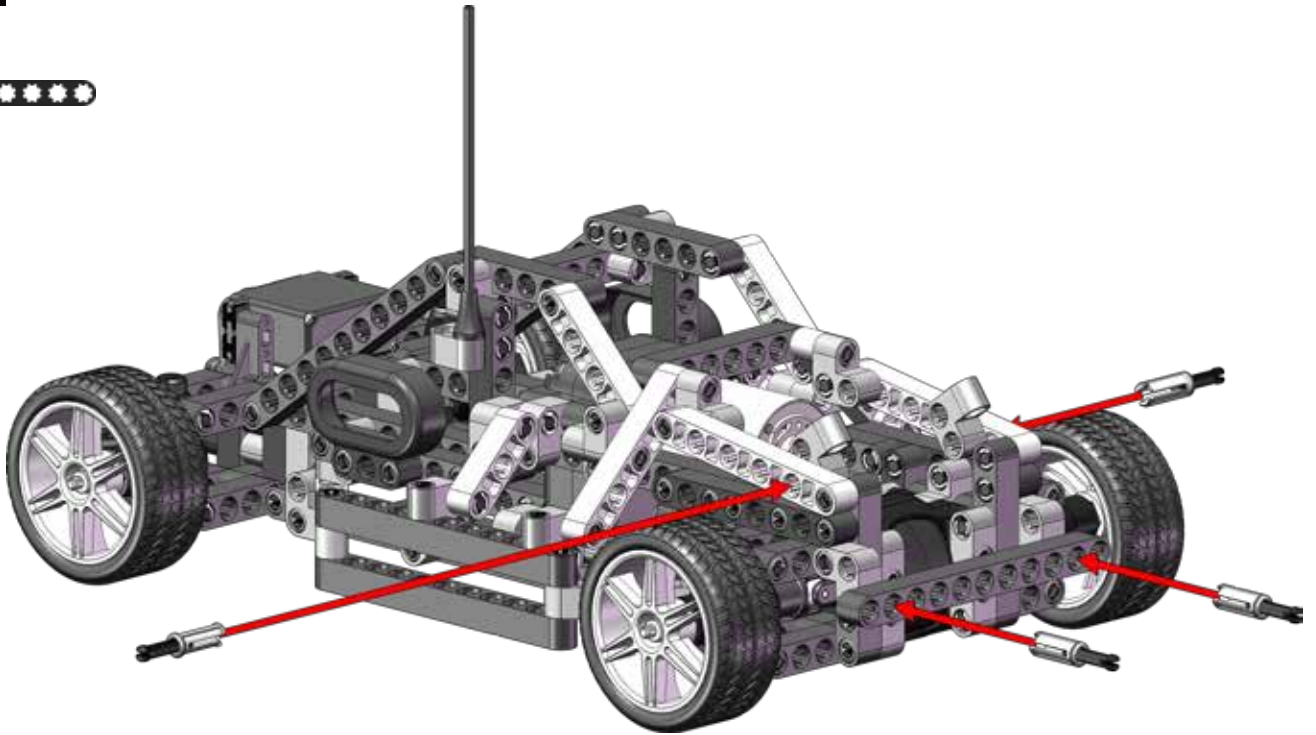
x1
11-BEAM



x2
TRANSITION



x4
2-LOCK

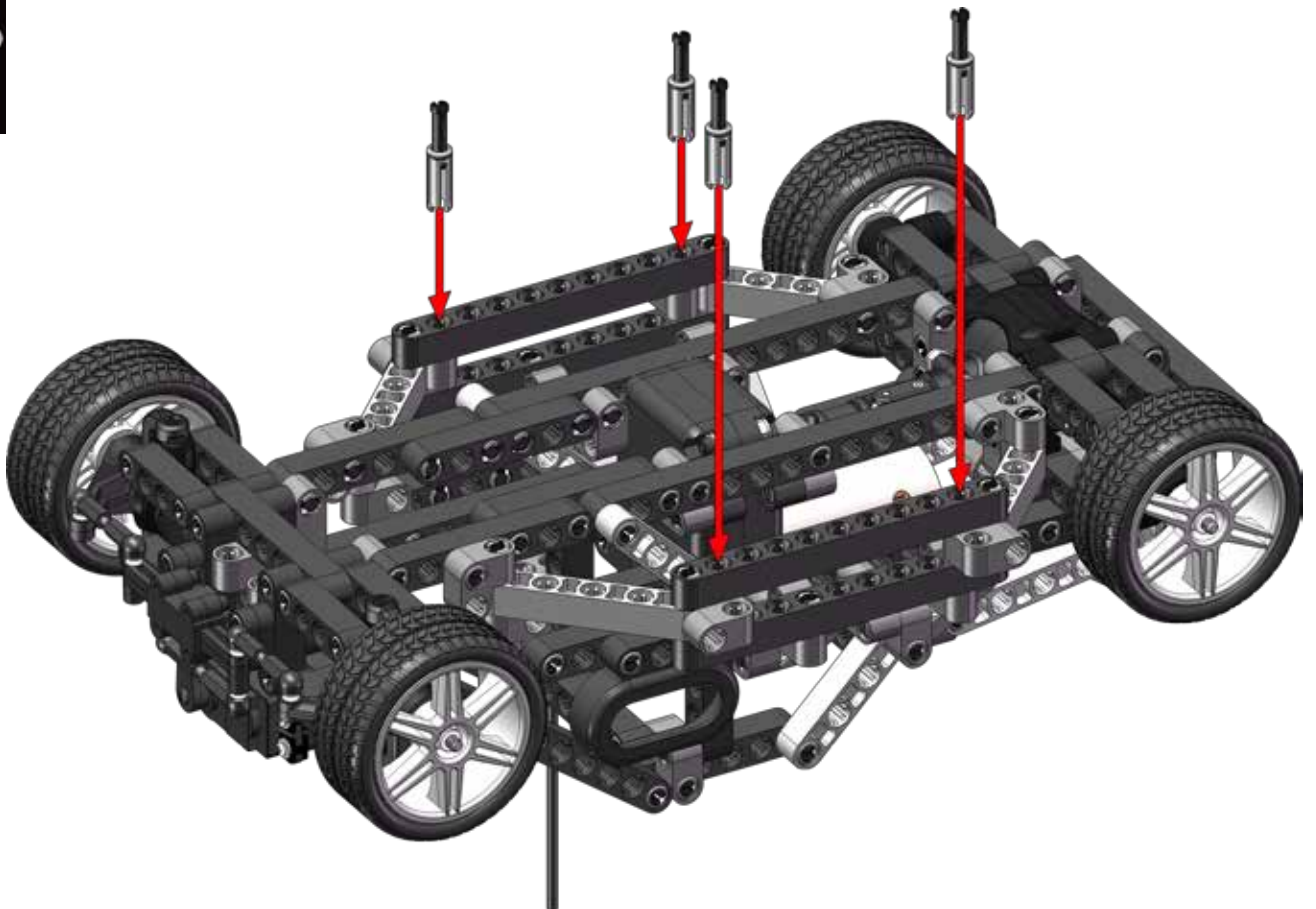


56

x4
TRANSITION



x4
2-LOCK

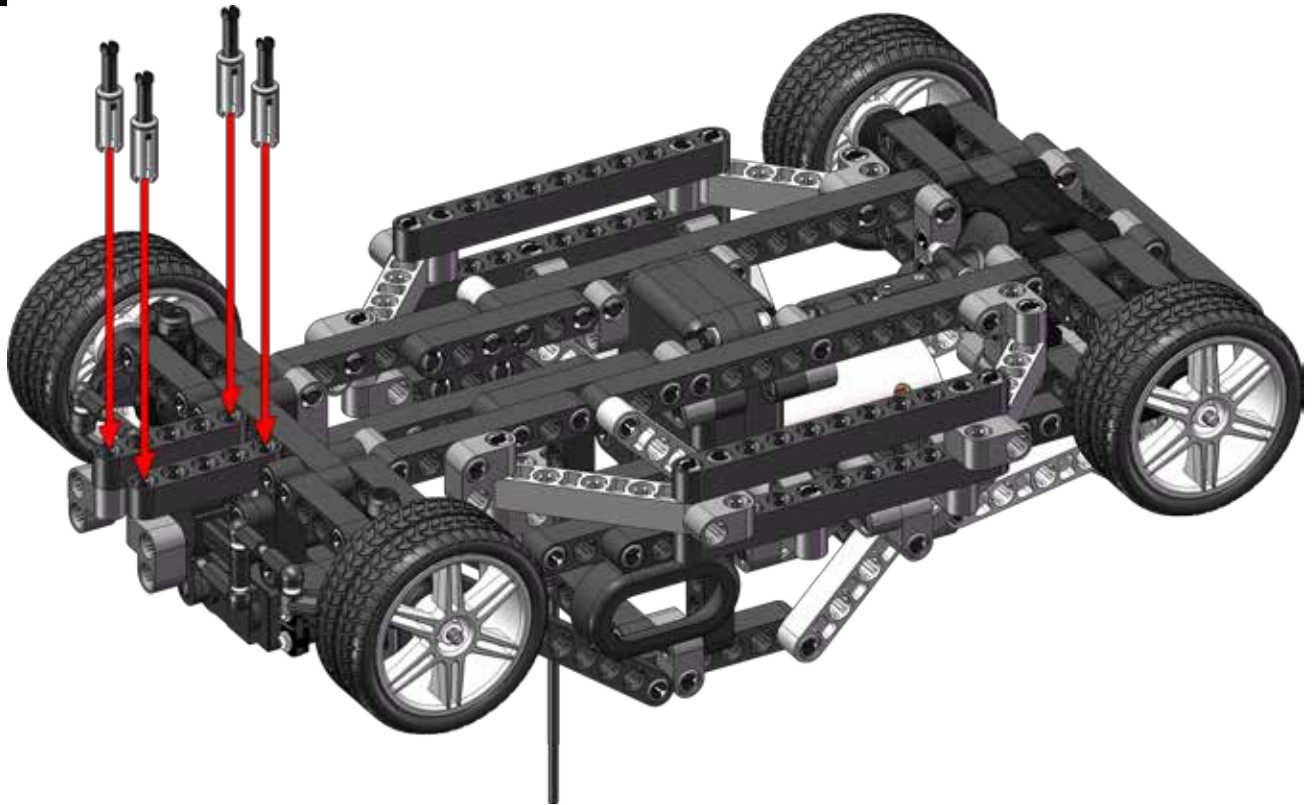


57

x2
5-BEAM

x2
TRANSITION

x4
2-LOCK

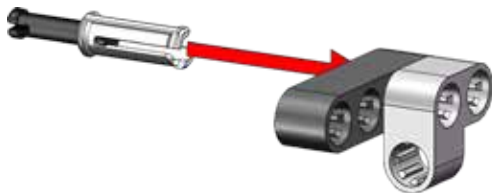


58

x2
4-BEAM

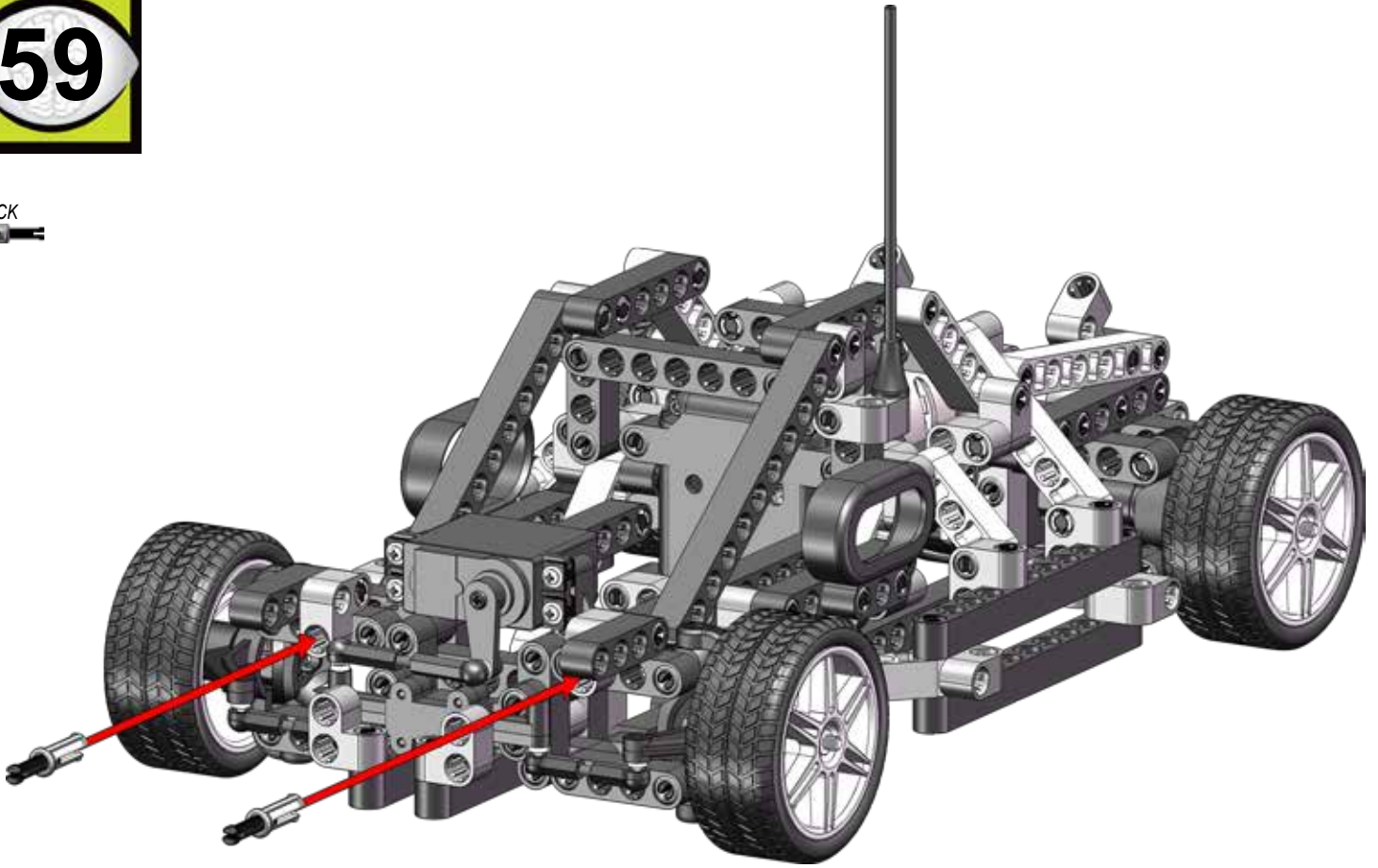
x2
TRANSITION

x2
2-LOCK





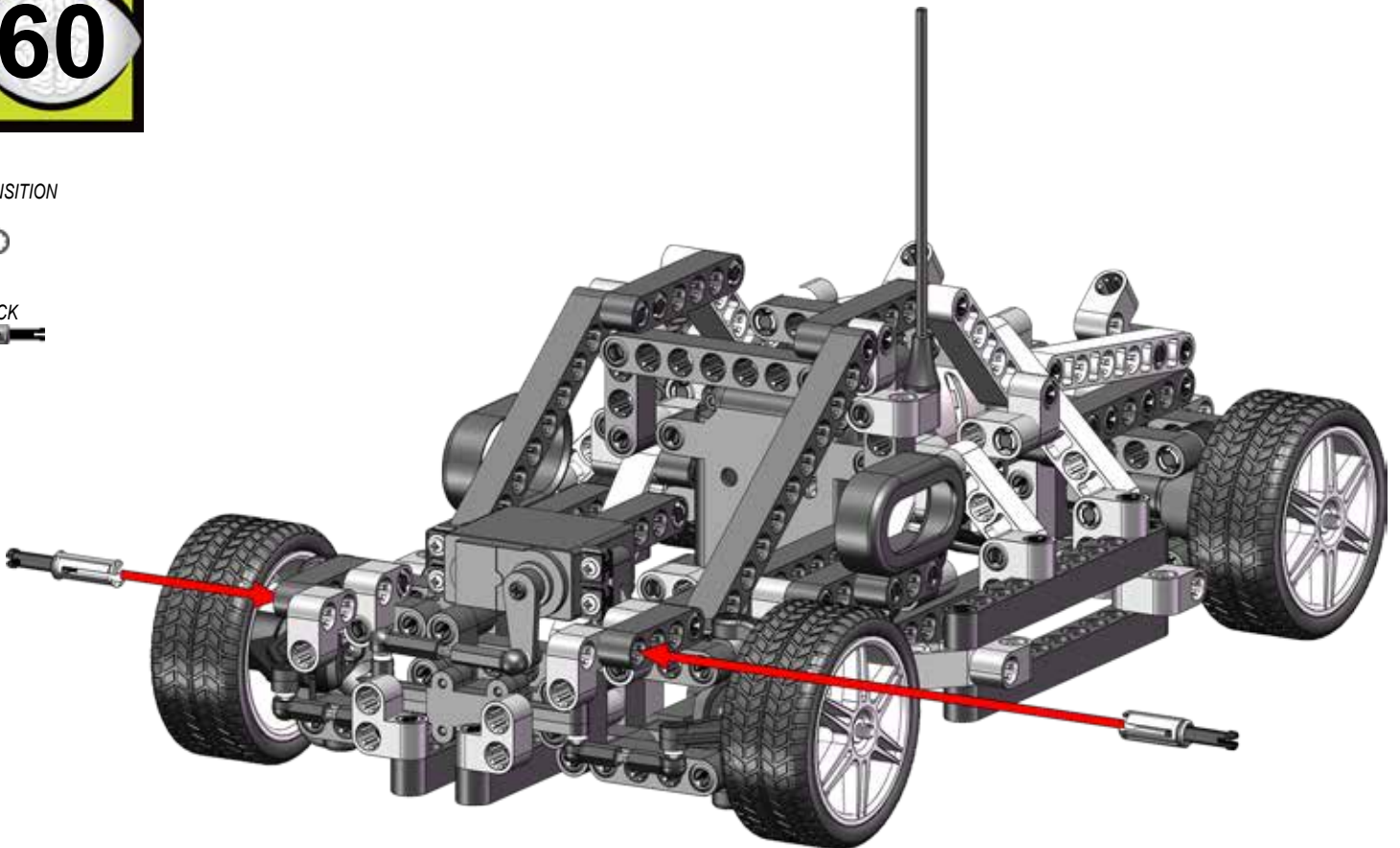
x2
2-LOCK



x2
TRANSITION

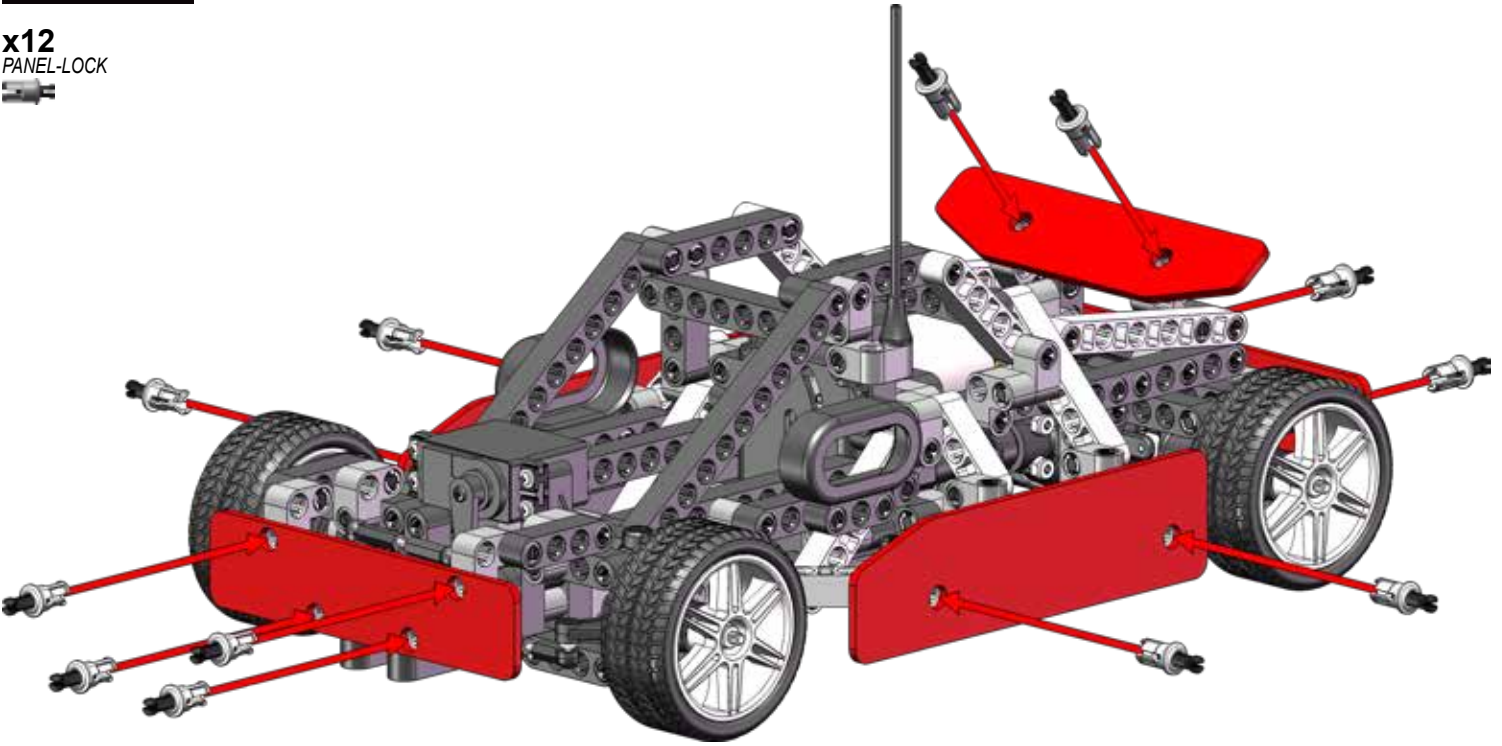


x2
2-LOCK



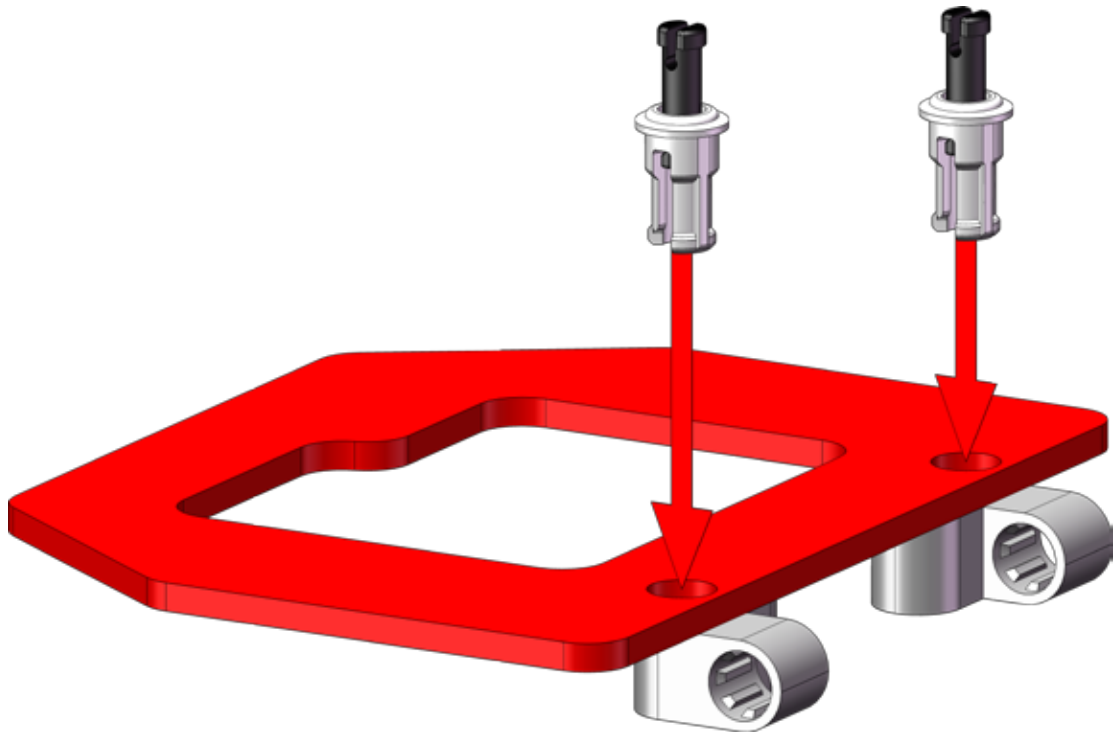


x12
PANEL-LOCK



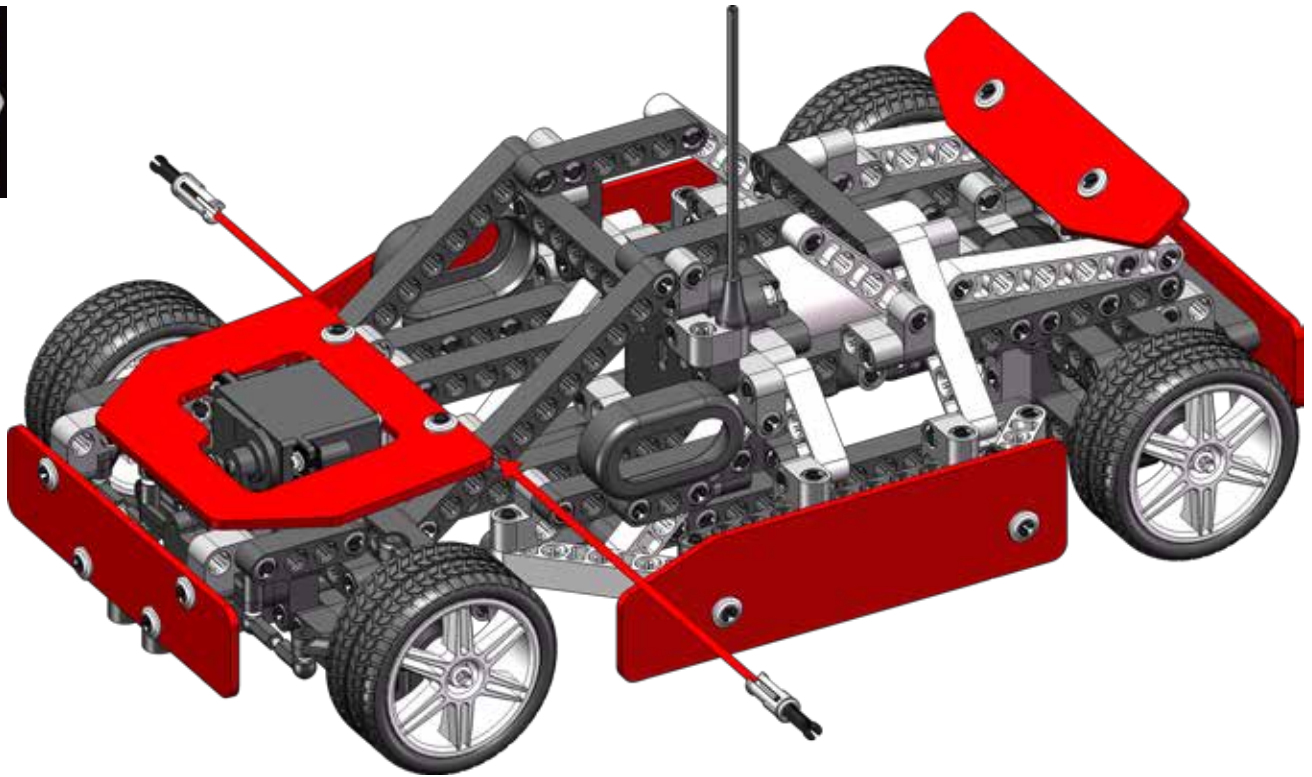
x2
TRANSITION

x2
PANEL-LOCK



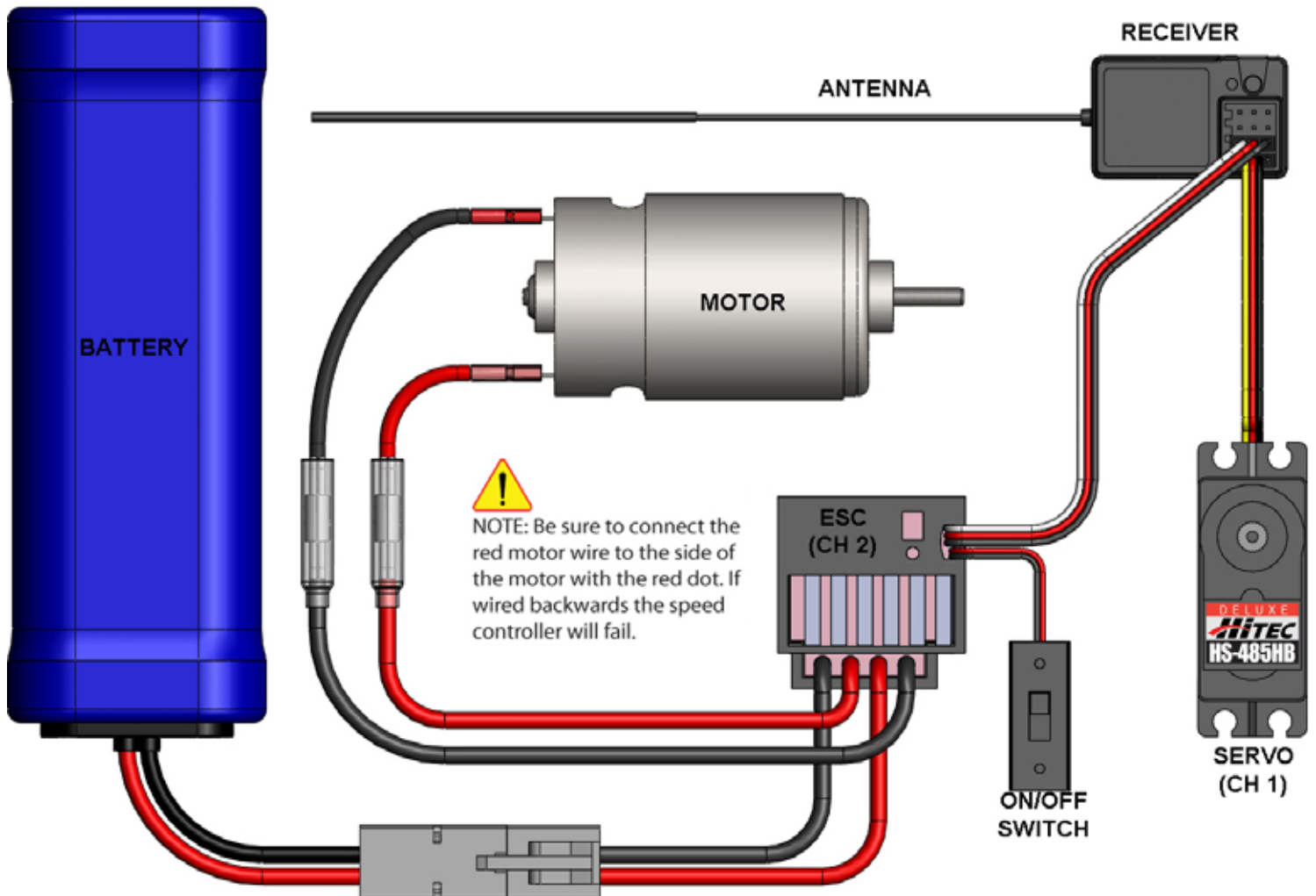


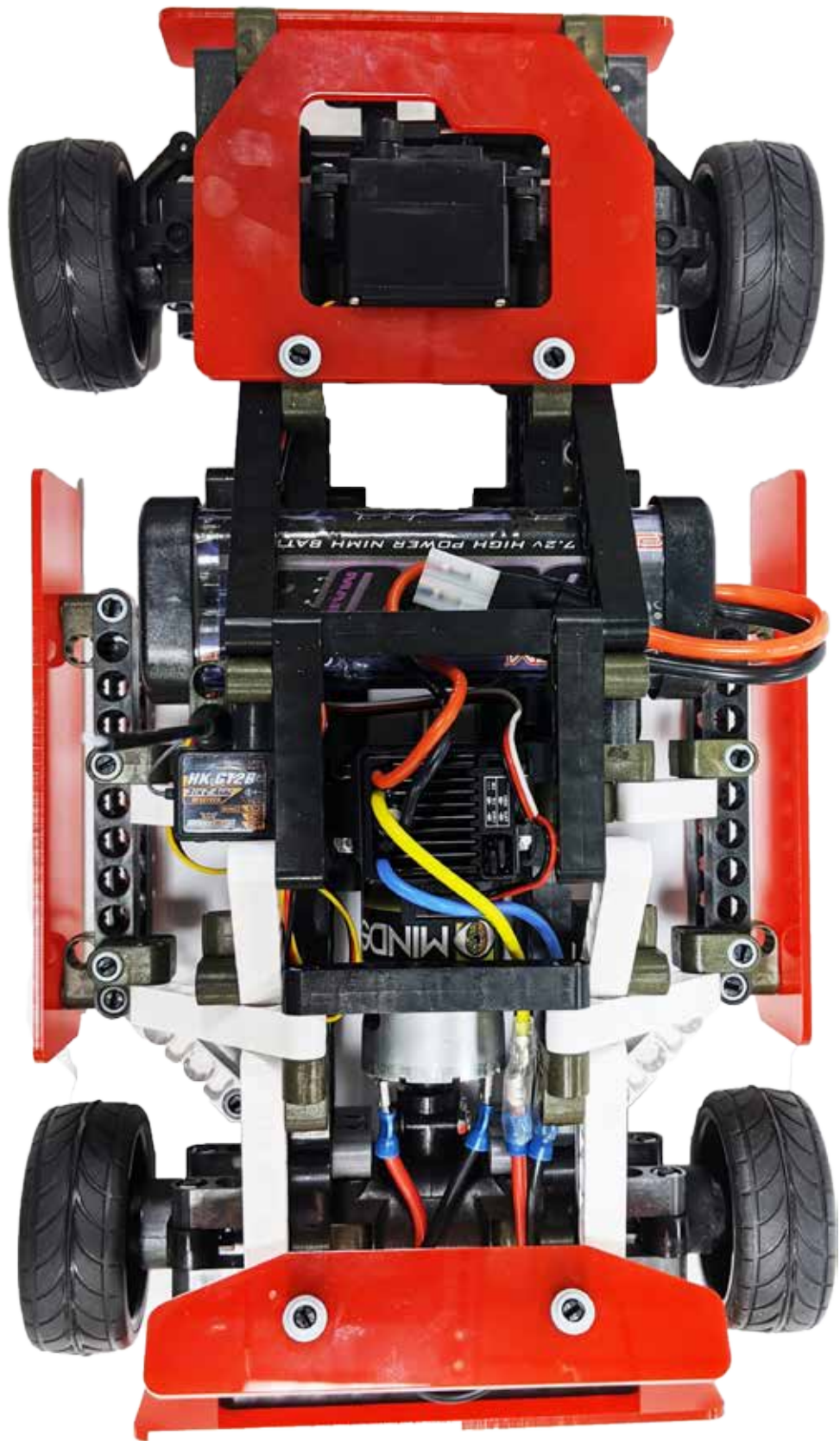
x2
2-ROTATE



REFER TO RADIO TRANSMITTER MANUAL AND FOLLOWING DIAGRAM FOR PROPER INSTALLATION AND SET-UP.

USING THE WIRE TIES AND DOUBLE-SIDED TAPE PROVIDED, PLACE THE ELECTRONIC COMPONENTS ON THE FRAME SO THAT THEY ARE SECURE AND OUT OF THE WAY OF MOVING PARTS.







*injection-molded
plastic*

For technical questions or to place an order:

Phone: (509) 252 - 5767

Fax: (509) 924 - 2219

Email us at:

info@myminds-i.com

Write to:

ATTN: MINDS-i Inc.

22819 East Appleway Avenue

Liberty Lake, Washington 99019

For the latest from MINDS-i visit:

mindsieducation.com

For technical questions with programming email:

code@myminds-i.com