



CKE-AV06-002

Super Rover Kit

2-in-1



PRO-LINE
PROLINERACING.COM

Helpful instructional videos available at: mindsirobotics.com

MINDS-i® PRODUCT SAFETY INFORMATION

When safety precautions are followed, your MINDS-i® system will provide years of enjoyment. Use care and good sense at all times when operating this product. Failure to use your system in a safe, sensible manner can result in injury or damage to property. You and you alone must insure that the instructions are carefully followed and all safety precautions are obeyed.

- Water can cause the electronics to short out and can cause permanent damage.
- Always turn on the transmitter before turning on the receiver.
- Fully extend the transmitter antenna before operating your vehicle.
- Before turning on your radio system, check to make sure that no one else is running on the same frequency.



CHOKING HAZARD: Do not allow children under age 3 or any individuals who have a tendency to place objects in their mouths to play with any part of the MINDS-i system, including, but not limited to: connectors, pieces, electronics, radio transmitters, wheels, tires. The system contains small parts which could accidentally be swallowed and cause suffocation.

- When the system is powered and/or in motion, keep fingers, face, tools, loose clothing, hair, and all other body parts away from gears, wheels, etc. Do not wear gloves while operating machinery. Even plastic parts can pinch, cut, or crush.
- The transmitter's antenna could also cause injury if played with violently or pointed towards someone's face.
- Never operate your MINDS-i® system on streets or in any areas where full-size vehicles are.
- Do not pick up your MINDS-i® system when it is in motion.
- Never charge, run or store your MINDS-i® system in a location subject to high temperatures, low temperatures or high humidity. Do not store in direct sunlight.
- To avoid electronic malfunction, do not allow the vehicle to become wet. Short circuits will produce a very strong electrical current. Should your MINDS-i® system become wet, stop using it immediately.



WARNING! Electrocutation Hazard. Do not use the materials provided for other than its intended purpose.

- Do not put it into fire.
- Always use recommended batteries. If improper batteries are used, they may become hot, leak and may rupture.
- Do not attempt to recharge non-rechargeable batteries.
- Only batteries of the same equivalent type as recommended are to be used. Do not mix old and new batteries.
- Exhausted batteries are to be removed from the system and replaced with new ones. Recycle all used batteries.
- Do not lick batteries. If battery appears to be leaking or has a crystalline deposit on the outside, dispose of it immediately (wear gloves when handling, preferably nitrile or other non-reactive material).
- Do not run a wire between battery terminals, as wire will get very hot, can be irreparably damaged or explode.
- Make sure the batteries are installed with the correct polarity as shown. Do not disassemble your batteries. Never allow them to become hot or to burn. To avoid short-circuits, avoid getting them wet. Do not short circuit batteries.
- If liquid from inside the batteries contacts your skin or clothes, wash them with water. If leaked battery fluid gets into your eyes, flush them immediately with cool water and seek medical attention. Do not rub eyes.
- Always wear safety glasses to protect your eyes. Note that normal glasses, while usually made of impact-resistant plastic, will not afford sufficient protection from shrapnel or flying debris.
- Always wear close-toed shoes to protect your feet from heavy or sharp objects, which might be dropped.
- If you have long hair, keep it tied back or under a hat to avoid it becoming caught in moving parts.
- The MINDS-i® system contains small parts. Do not ingest. Do not insert into any orifice (e.g. nostrils, ears, etc).
- The system contains metal parts. Cutting or bending can cause parts to break; resulting in sharp edges which can cut skin.
- Battery disposal. Do not throw batteries into the trash, especially rechargeable batteries. Contact your local waste disposal office for information on battery disposal. Batteries should be stored as directed by your local hazardous materials disposal office until pickup (usually in a hard sided waterproof, non-conductive container, e.g. a plastic bucket).



WARNING! IMPORTANT! RESPONSIBLE ADULT SUPERVISION IS REQUIRED FOR CHILDREN UNDER THE AGE OF 14. THIS PRODUCT IS NOT DESIGNED FOR UNSUPERVISED USE BY CHILDREN YOUNGER THAN 14 YEARS OLD.

All pictures descriptions and specifications found in this instruction manual are subject to change without notice.

MINDS-i® maintains no responsibility for inadvertent errors in this manual. Visit www.mymindsi.com for the latest updates and information.

MINDS-i® is a high-performance Construction/RC/Robotics System, which is NOT intended for use on the public roads or congested areas where its operation may conflict with or disrupt pedestrian or vehicular traffic. Read all enclosed information before operating. Fully illustrated, step-by-step instructions describe adjustment, operation, and required maintenance procedures. MINDS-i® should not be operated in a crowd, or without adequate space. In an effort to continually upgrade our products, MINDS-i® reserves the right to make improvements and modifications to this system, which may not be reflected in the photographs and specifications printed on this box. PROPOSITION 65 WARNING: This product contains chemicals known to the State of California to cause cancer and/or birth defects or other reproductive harm.

Terms & Conditions: All orders placed with MINDS-i, Inc (phone, fax, mail, internet/web & email) constitute the acknowledgment and acceptance of all conditions listed below. All purchases remain the property of MINDS-i®, Inc until paid for in full. All orders shipped to a Washington State address must pay sales tax as required by the Washington State Department of Revenue. In the event that an order placed on our web-site does not calculate sales tax and the order is being shipped to a Washington State address, MINDS-i® will calculate the sales tax when the order is processed and call or email the customer with the new amount. All prices, materials, design, color, contents included with a product and product specifications are subject to change without notice. Some product images may be shown with optional items that are sold separately. Depending on the products ordered and the destination of the order, certain shipping services may not be available. MINDS-i® will not be responsible for pricing errors and may cancel the order. Orders will not be shipped until all Credit Card information is verified and matched. All other orders (check or money order) will not be shipped until payment has been received in full. All unpaid orders will be canceled after 30 calendar days. All weights shown for products are used for shipping calculation only and may not reflect actual weight of the product.

Product Warranty: MINDS-i® warrants to the original buyer that our products are free from defects in materials and workmanship for a period of 120 days from the original date of purchase (original purchase receipt required). This warranty does not cover abuse, misuse, incorrect wiring, modifications, alterations, connector damage, wear and tear or robot competition damage. If the Product is determined to be defective within the warranty period, MINDS-i® or its authorized service provider will, at our sole option, repair or replace any defective parts free of charge, or refund the purchase price. What you must do: Return the Product in its original packaging or packaging affording equal protection, freight prepaid, with proof of purchase, to an authorized MINDS-i® service provider. You are responsible for all shipping charges. For more information, contact MINDS-i® at (509) 252-5767 or info@mymindsi.com.

Shipping Errors and Defective Products: Claims for shipping shortages, errors, or defective materials must be in writing and received by MINDS-i® within ten (10) days after receipt of shipment by buyer. Failure to make such claim within the stated period shall constitute an irrevocable acceptance of the goods and an admission that the goods fully comply with all the terms and conditions of the buyer's order.

MINDS-i® is Designed and Manufactured in the United States
Some components are manufactured in China and the Philippines.

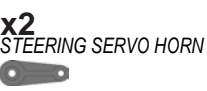
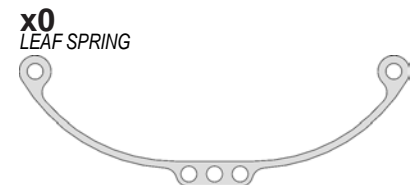
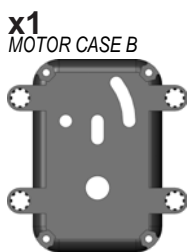
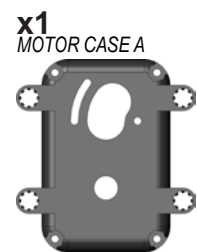
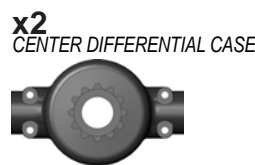
Patents US 7,517,270; US 7,410,225; US 7,736,211; US 7,841,923; MX 288350; CN ZL 200680044576.1; Additional Patents Pending.
Trademarks 3,420,137 and 3,487,694
Copyright © 2014 MINDS-i Inc. All rights reserved.

MINDS-i, Inc
22819 East Appleway Avenue
Liberty Lake, WA 99019
USA



PARTS INVENTORY PAGE 1

1:3 SCALE



PARTS INVENTORY PAGE 2

1:3 SCALE

x8
4.8" FOUR LINK ARM

x0
3.6" FOUR LINK ARM

x0
2.4" FOUR LINK ARM

x2
2.0" THREAD COLLAR

x4
1.2" THREAD COLLAR

x0
0.4" THREAD COLLAR

x1
7.2v 3000 mAh BATTERY

x1
MOTOR WIRE - BLACK

x1
MOTOR WIRE - RED

x0
23,500 RPM MOTOR

x1
5,000 RPM MOTOR

x0
DUAL MOTOR BATTERY CABLE

x1
ALLEN WRENCH

x1
ALLEN WRENCH

x1
0.050" ALLEN WRENCH

x1
1/4" FLAT WRENCH

x1
CROSS WRENCH

x1
PHILIPS SCREWDRIVER

x1
DRILL TOOL

x3
DIFFERENTIAL CARRIER

x6
OUTPUT GEAR SHAFT

x6
SPIDER GEAR

x3
CARRIER SHAFT

x12
CARRIER SCREW

x1
BATTERY CHARGER

x1
SPEED CONTROLLER

x2
DIFFERENTIAL SPOOL

x1
MOTOR SHAFT

x6
M5 WHEEL END SHAFT

x0
M4 WHEEL END SHAFT

x0
COTTER PIN

x0
78-T SPUR

x1
87-T SPUR

x1
15-T PINION

x0
23-T PINION

x6
90mm SHOCK

x0
HS-755MG SERVO

x0
HS-311 SERVO

x0
HSR-1425CR SERVO

x2
HS-485HB SERVO

x0
HS-645MG SERVO

x0
TURNTABLE PLATE

x0
LARGE SERVO PLATE

x0
SERVO PLATE

x6
BADLANDS 3.8" TIRE & DESPERADO WHEEL
PROLINE

x1
SERVO Y-HARNESS w/REVERSER

x0
SERVO Y-HARNESS

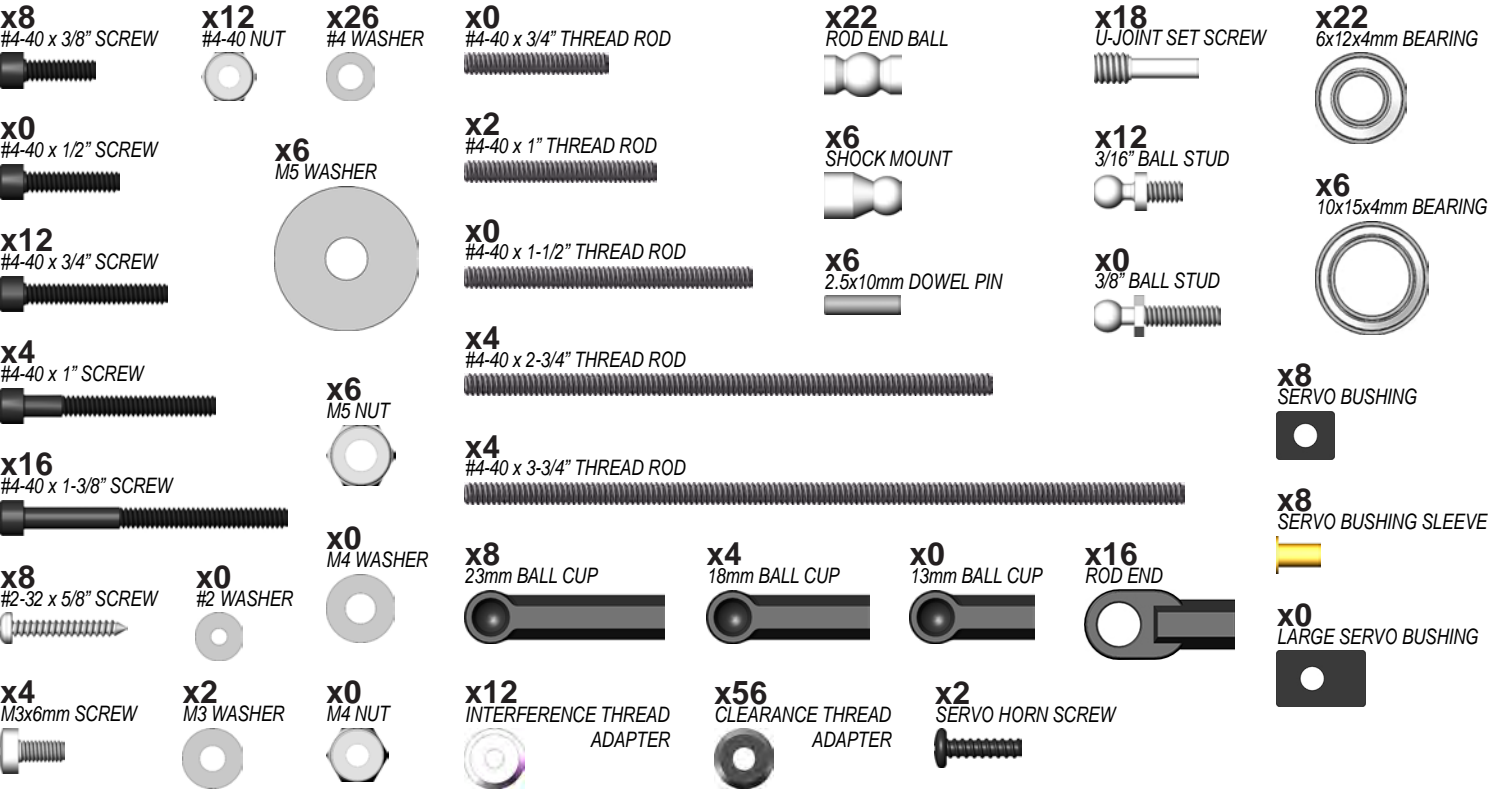
x0
3" SERVO WHEEL

x0
RACECAR WHEEL

x0
BADLANDS 2.2" TIRE & DESPERADO WHEEL
PROLINE

PARTS INVENTORY PAGE 3

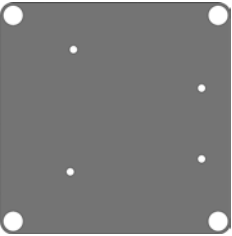
1:1 SCALE



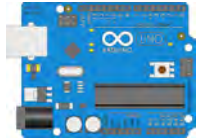
PARTS INVENTORY PAGE 4

1:3 SCALE

x0
ARDUINO BASE PLATE



x0
ARDUINO UNO



x0
IR DISTANCE SENSOR



x0
PING))) SENSOR



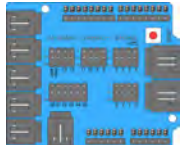
x0
3-PIN CABLE FLAT TO LATCH



x0
PUSH BUTTON



x0
SENSOR SHIELD



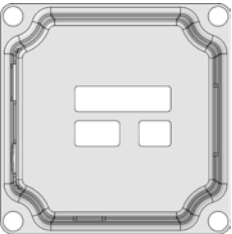
x0
3-PIN CABLE FLAT TO SEPARATE



x0
QTI SENSOR



x0
ARDUINO COVER



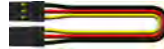
x0
USB CABLE



x0
ARDUINO BATTERY HARNESS



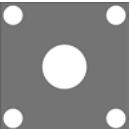
x0
SERVO CABLE MALE TO MALE



x0
SERVO CABLE MALE TO FEMALE



x0
5x5 IR PANEL



x0
USB THUMB DRIVE



x0
VOLTAGE REGULATOR



CONNECTOR ASSEMBLY AND USAGE

HELPFUL INSTRUCTIONAL VIDEOS AVAILABLE AT: www.mymindsi.com



1.5-LOCK



2-LOCK



3-LOCK



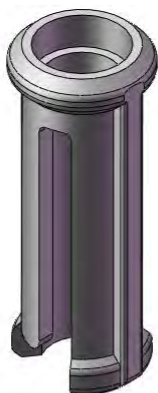
PANEL LOCK



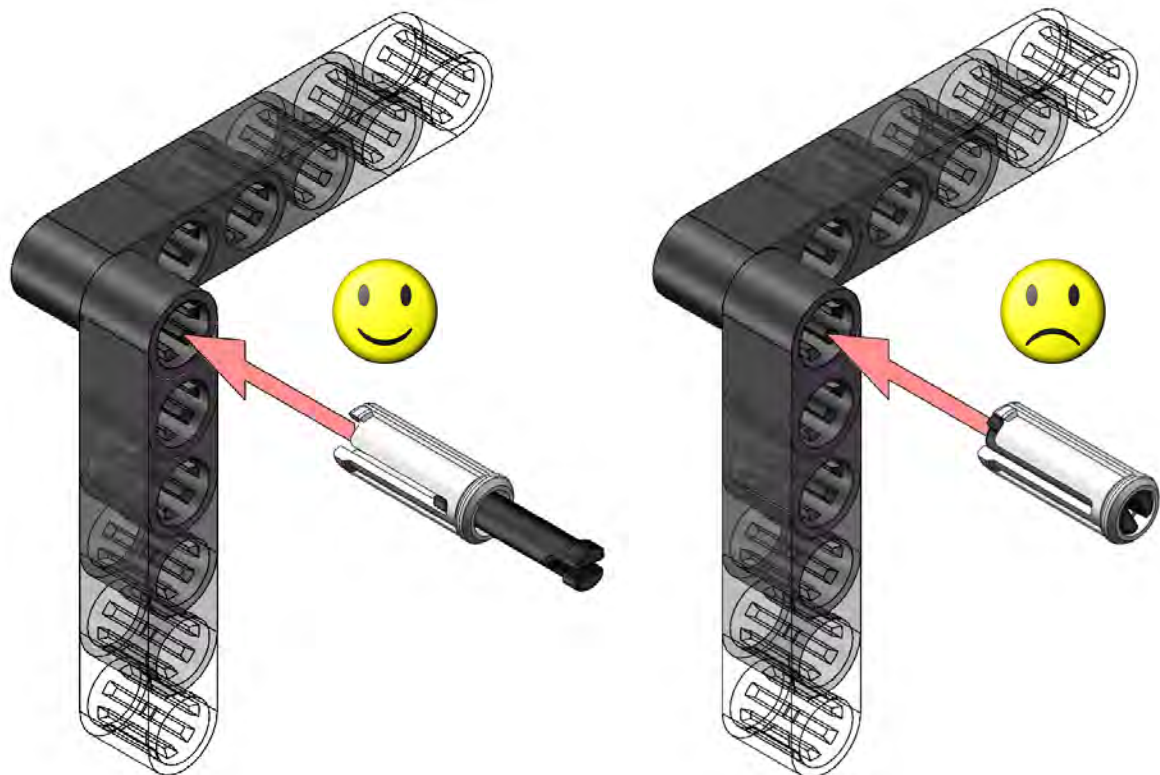
2-ROTATE



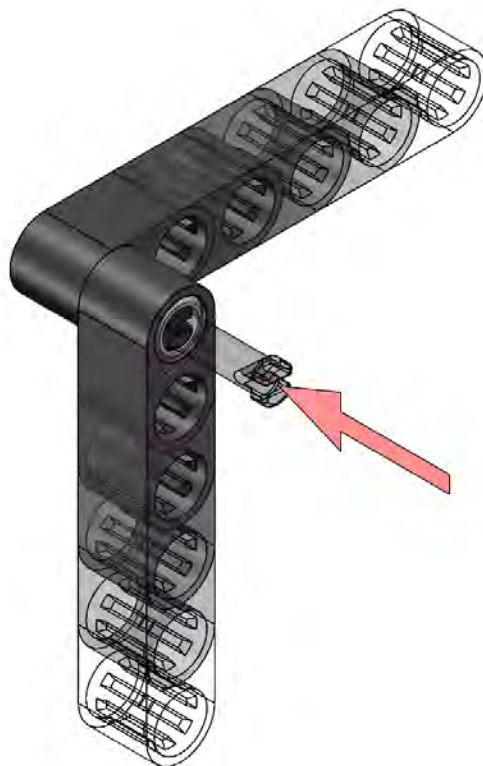
3-ROTATE

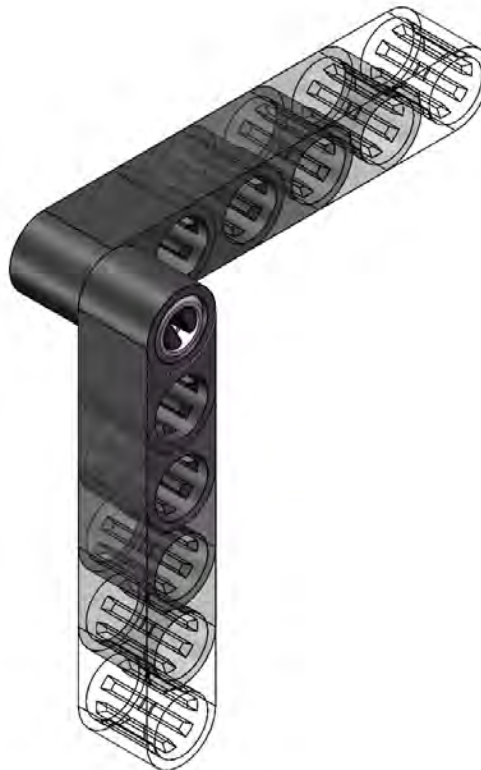
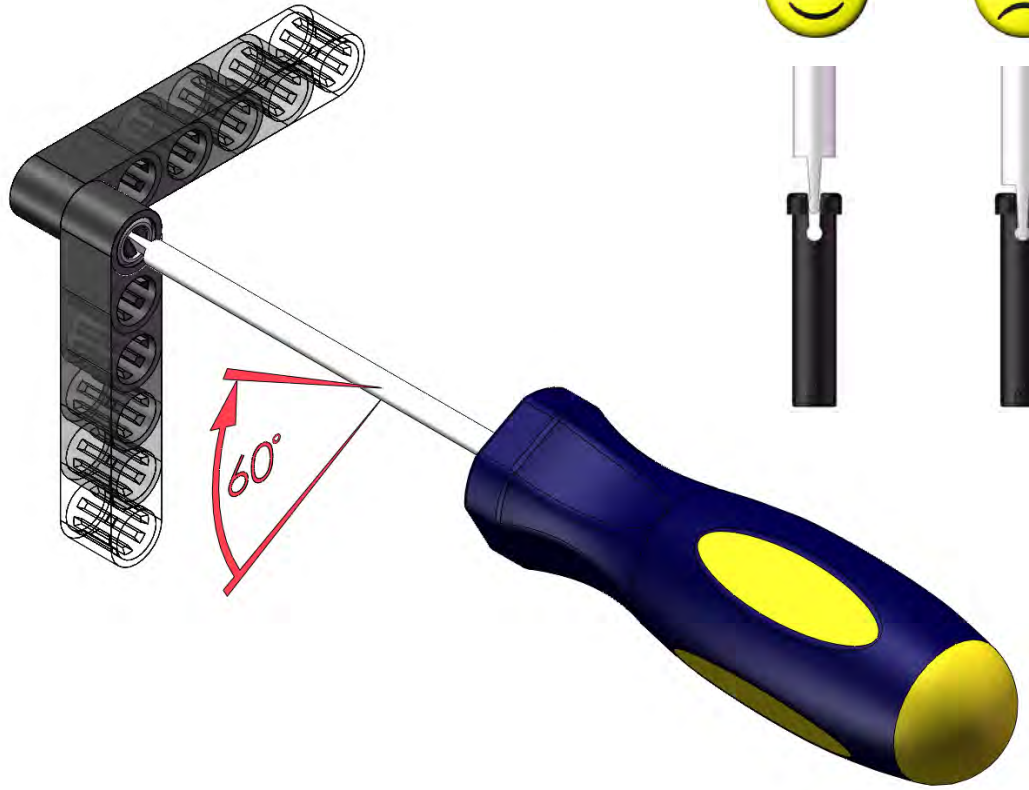


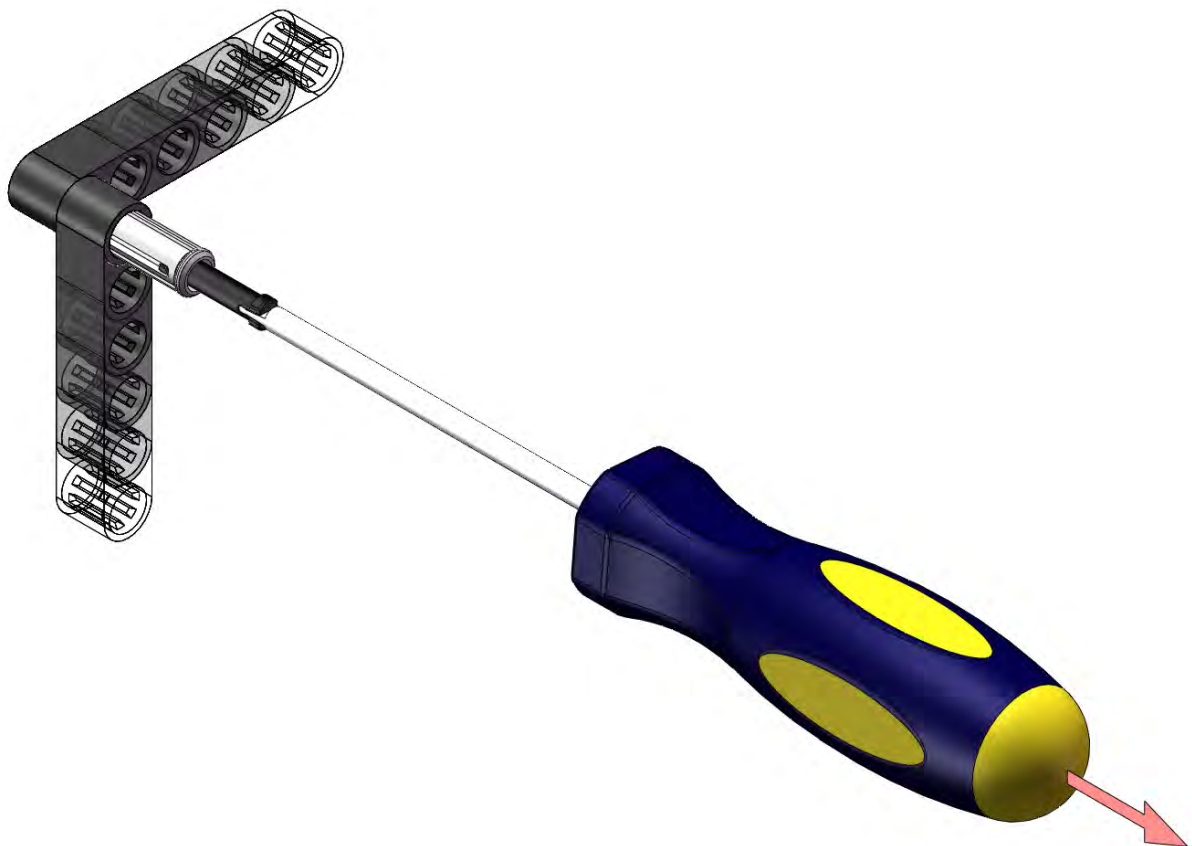
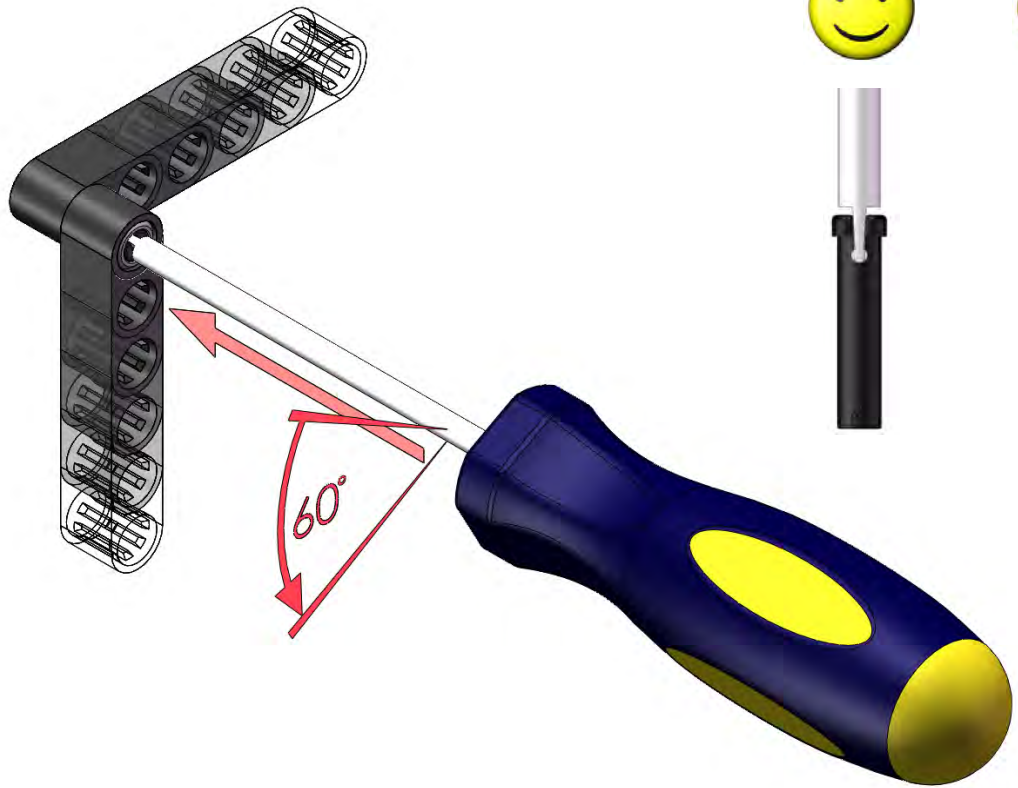
02



03







MOTOR CASE ASSEMBLY

HELPFUL INSTRUCTIONAL VIDEOS AVAILABLE AT: www.mindsieducation.com



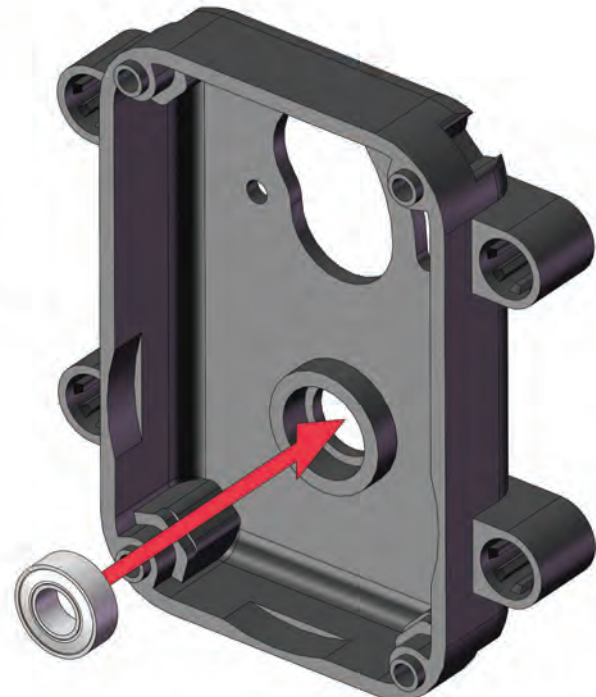
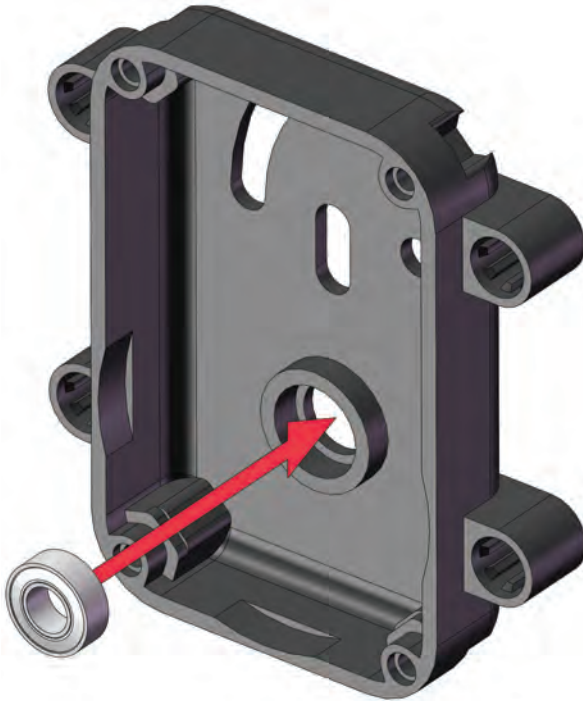
x1
MOTOR CASE A



x1
MOTOR CASE B



x2
6x12x4mm BEARING



02

x1
MOTOR SHAFT



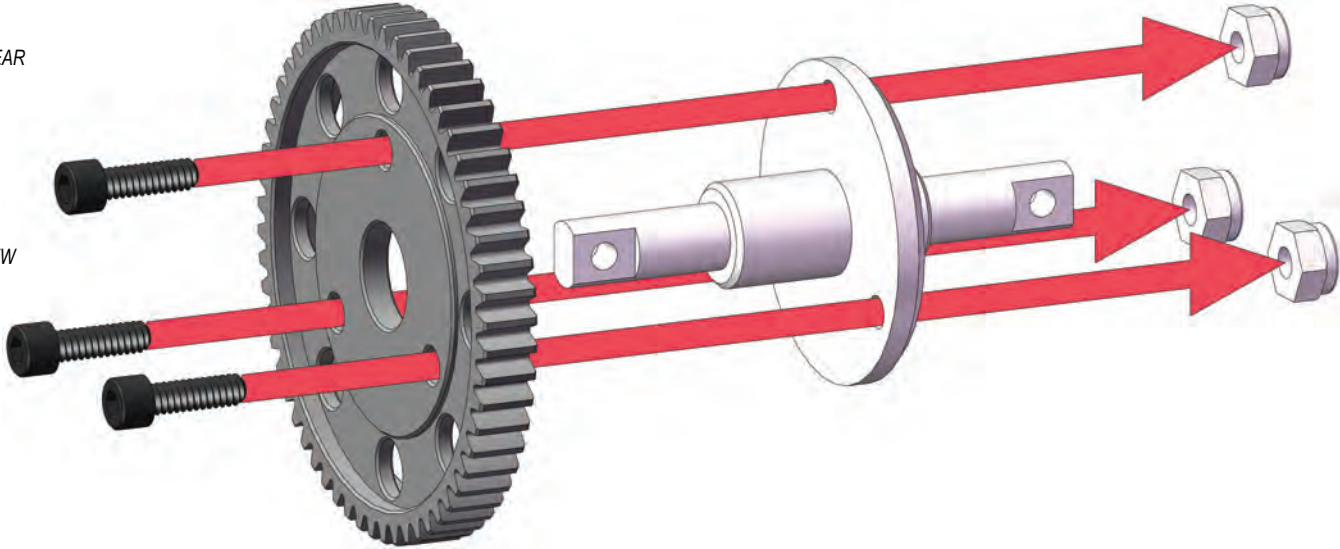
x1
58T 32P SPUR GEAR



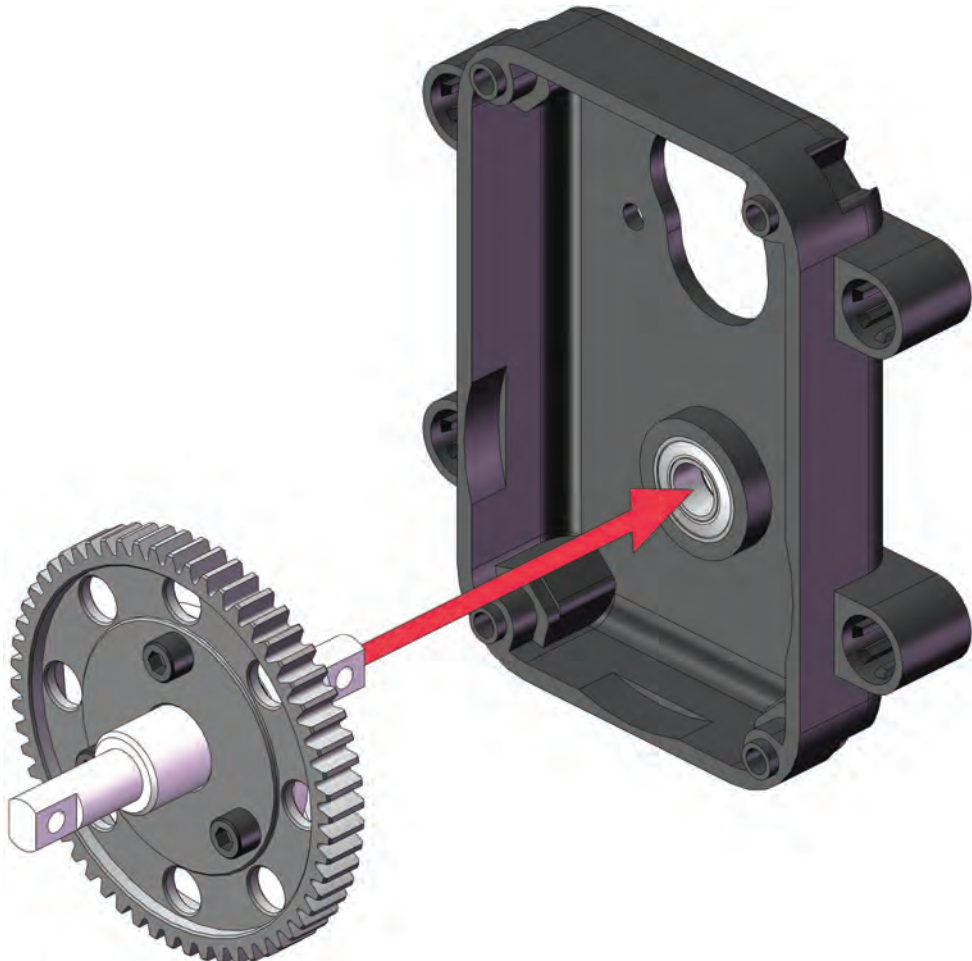
x3
#4-40 x 3/8" SCREW



x3
#4-40 NUT

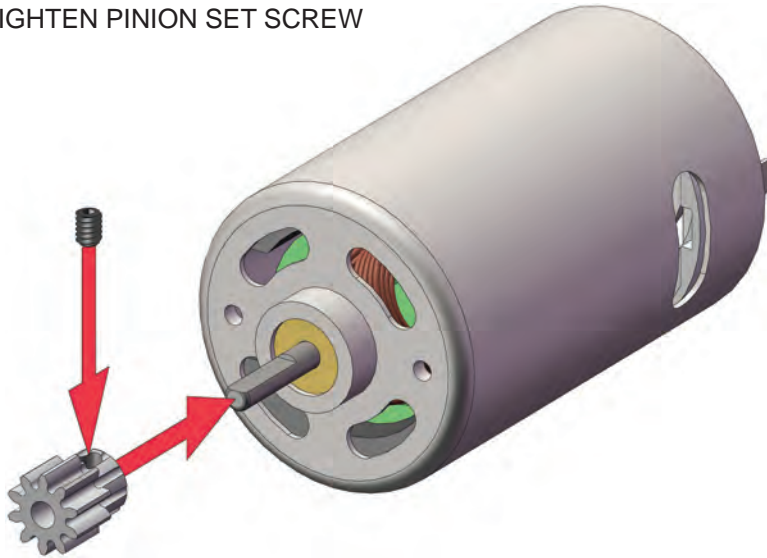
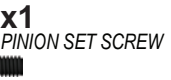
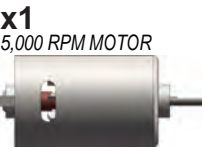


03



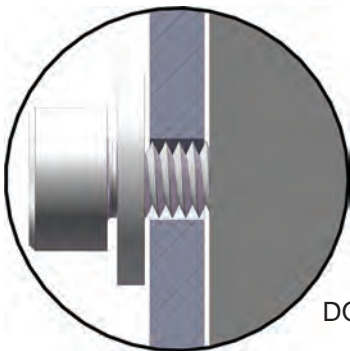
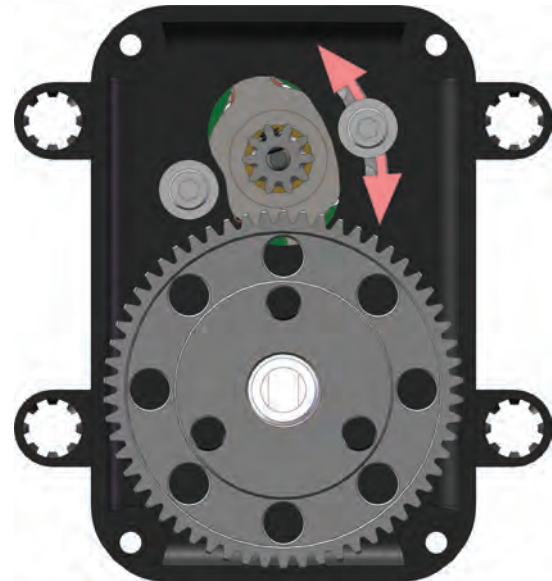
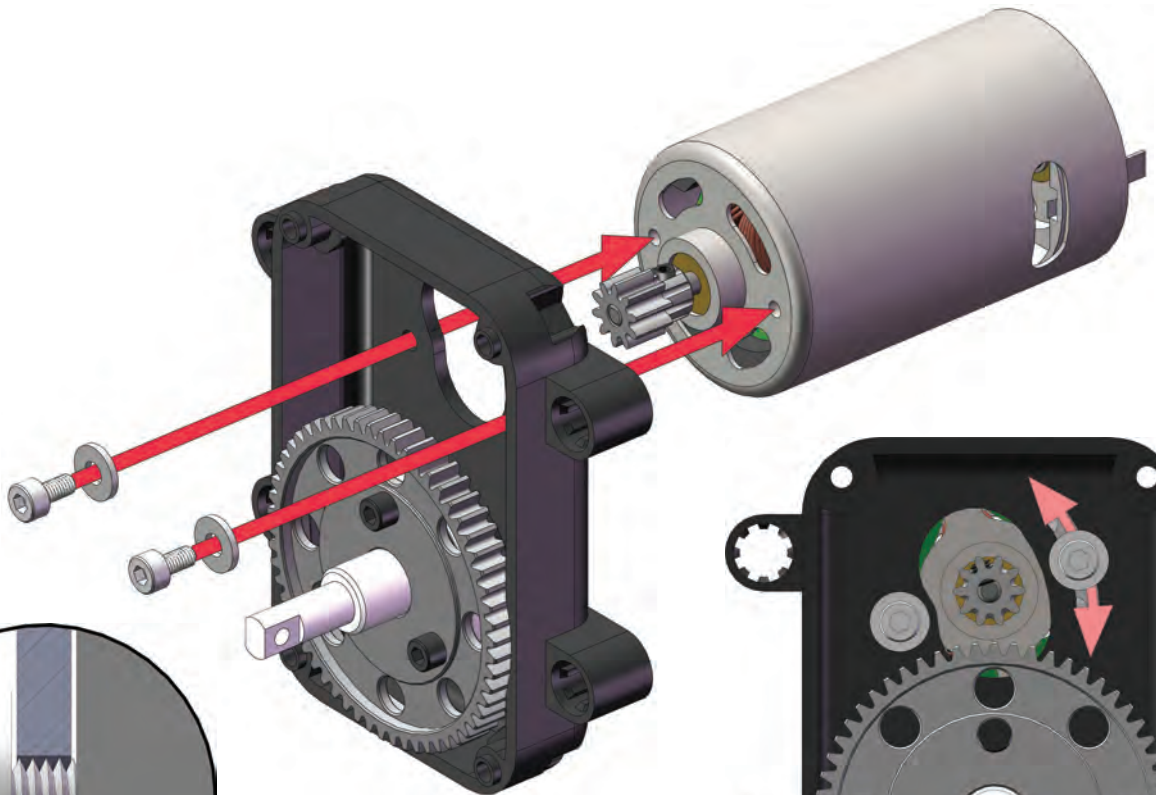
04

BE SURE TO ALIGN THE SET SCREW WITH THE FLAT SPOT ON THE MOTOR SHAFT THEN TIGHTEN PINION SET SCREW



MOUNT PINION GEAR FLUSH WITH END OF MOTOR SHAFT

05



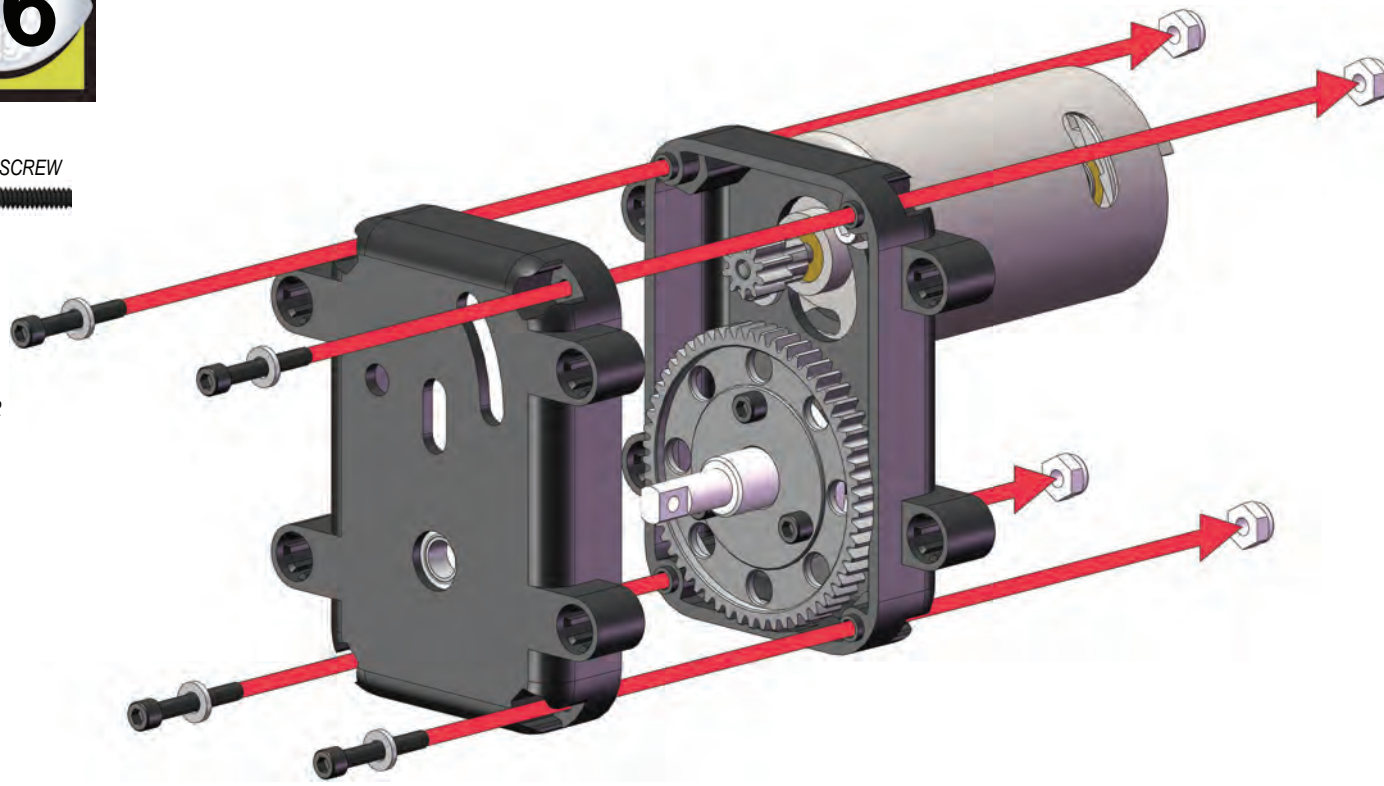
DO NOT TIGHTEN

06

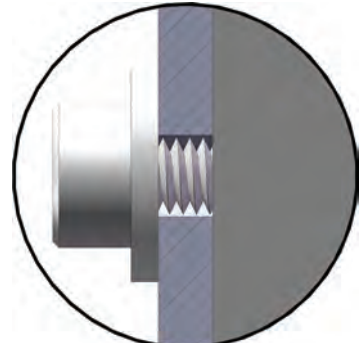
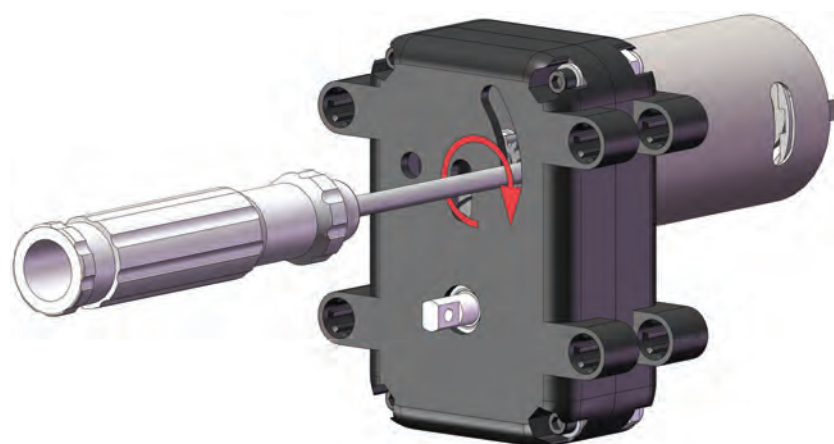
x4
#4-40 x 3/4" SCREW

x4
#4-40 NUT

x4
#4 WASHER



07



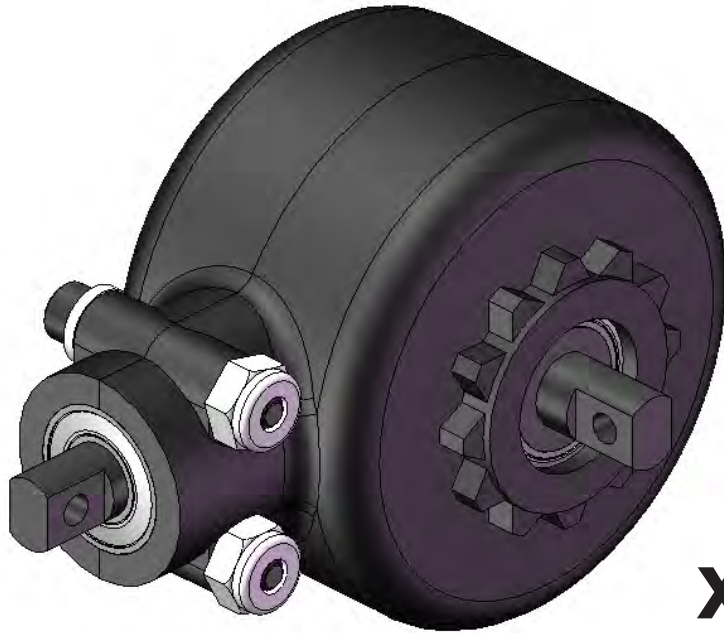
ADJUST MOTOR SCREWS
UNTIL GEARS MESH
SMOOTHLY, THEN TIGHTEN



WHEN ALIGNING THE GEARS TOGETHER MAKE SURE THEY ARE ABOUT A PAPER'S THICKNESS APART SO THEY MESH SMOOTHLY. DO NOT LEAVE THEM LOOSE OR PRESS THEM TOO TIGHT TOGETHER OR IT MAY DAMAGE THE GEARS OR PUT TOO MUCH STRESS ON THE MOTOR.

DIFFERENTIAL ASSEMBLY

HELPFUL INSTRUCTIONAL VIDEOS AVAILABLE AT: www.mymindsi.com



x2

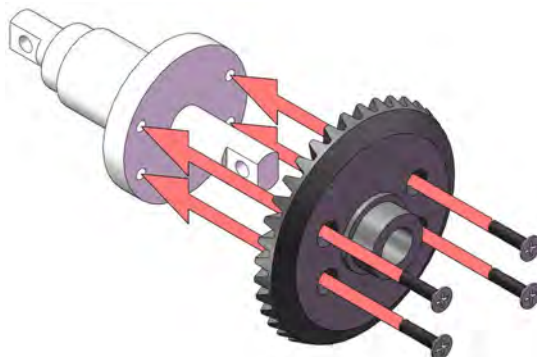


KIT INCLUDES DIFFERENTIAL SHIMS -NOT USED



**BEST FOR:
HANDLING**

OR



**BEST FOR:
TRACTION**
NOT RECOMMENDED
FOR 6x6

x1
RING GEAR



x1
DIFFERENTIAL SPOOL



x1
DIFFERENTIAL CARRIER



x1
CARRIER SHAFT



x4
CARRIER SCREW



x2
OUTPUT GEAR SHAFT



x2
SPIDER GEAR

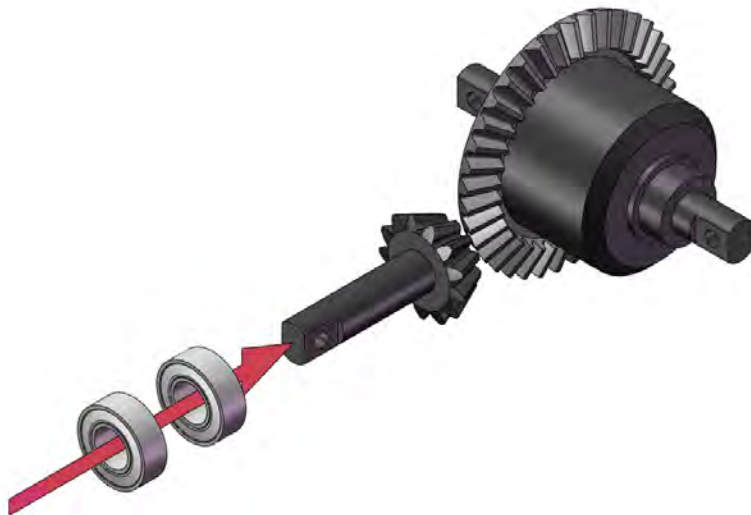


02

x1
PINION GEAR

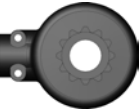


x2
6x12x4mm BEARING

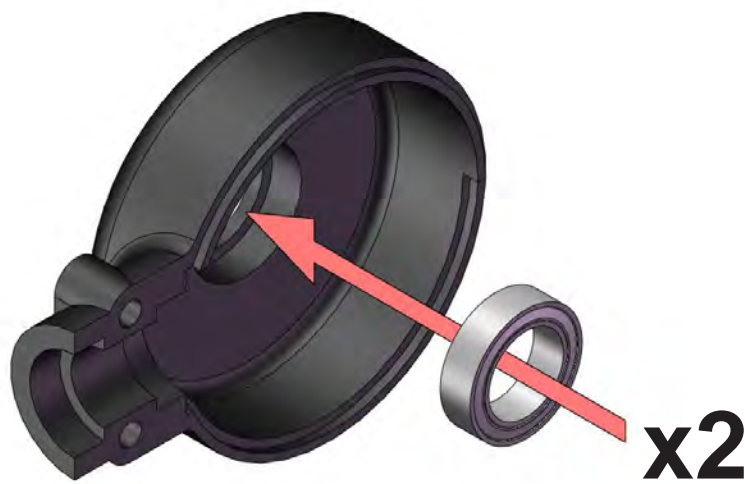


03

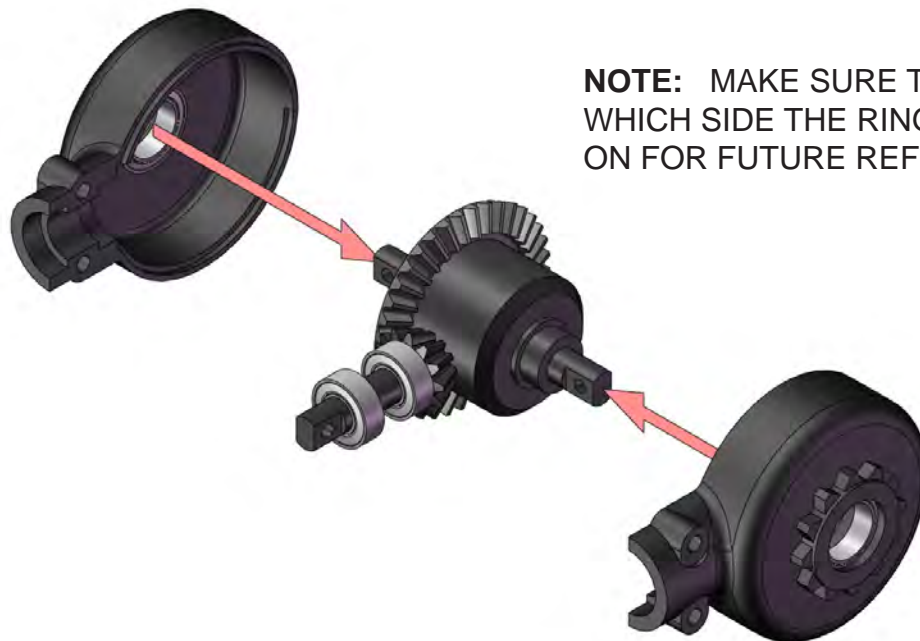
x2
DIFFERENTIAL CASE



x2
10x15x4mm BEARING



04



NOTE: MAKE SURE TO MARK WHICH SIDE THE RING GEAR IS ON FOR FUTURE REFERENCE.

05

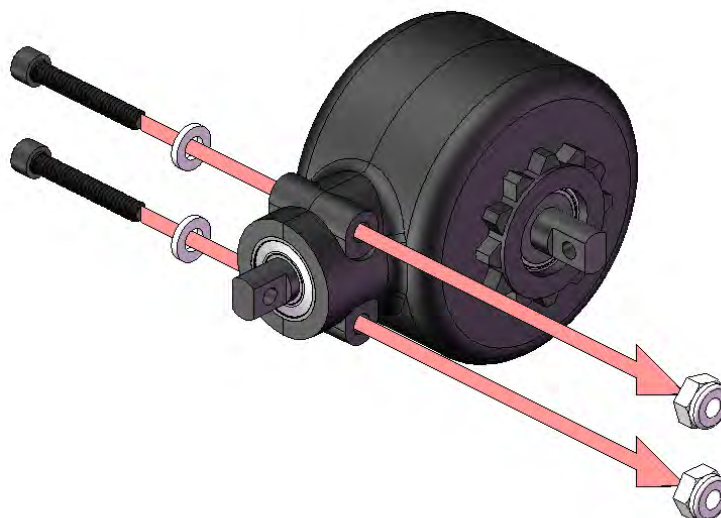
x2
#4-40 x 3/4" SCREW



x2
#4 WASHER



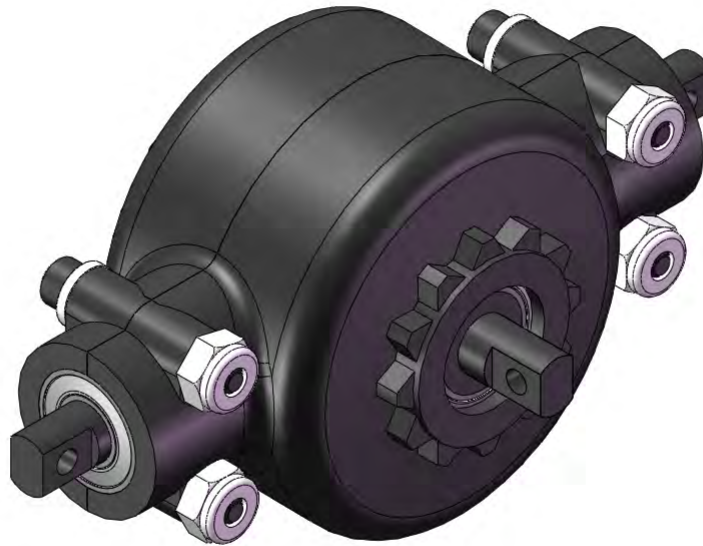
x2
#4-40 NUT



NOTE: MAKING SURE THE SCREW HEADS ARE ON THE SAME SIDE AS THE RING GEAR IS AN EASY WAY TO REMEMBER WHICH SIDE IT'S ON.

CENTER DIFFERENTIAL ASSEMBLY

HELPFUL INSTRUCTIONAL VIDEOS AVAILABLE AT: www.mymindsi.com



x1
RING GEAR



x1
DIFFERENTIAL CARRIER

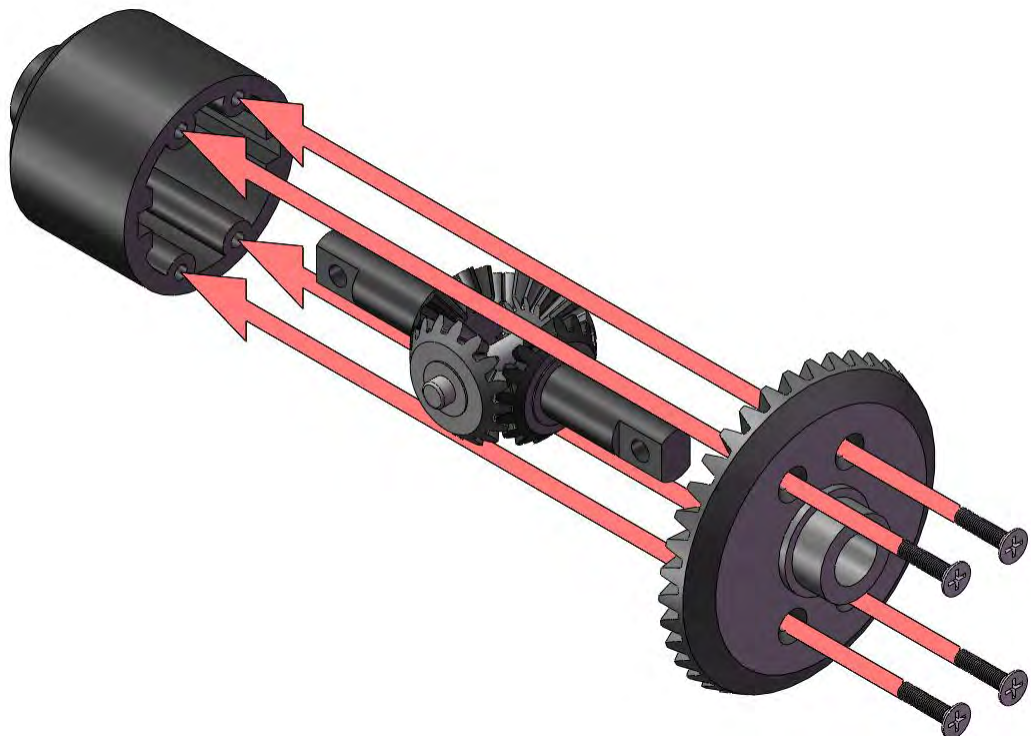


x1
CARRIER SHAFT

x4
CARRIER SCREW

x2
OUTPUT GEAR SHAFT

x2
SPIDER GEAR



02

x2
PINION GEAR



x4
6x12x4mm BEARING

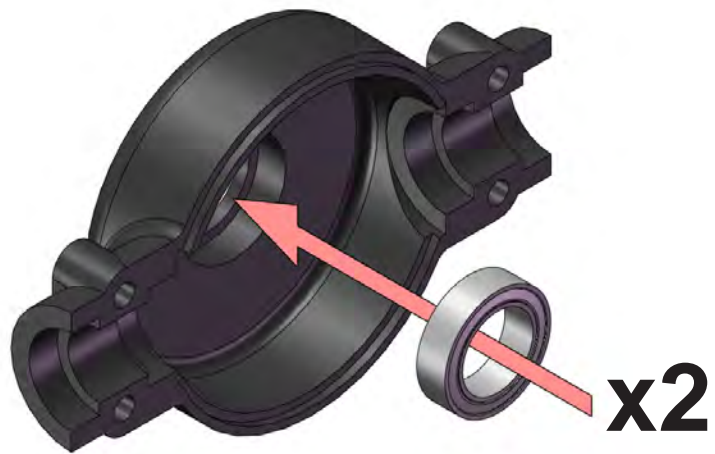


03

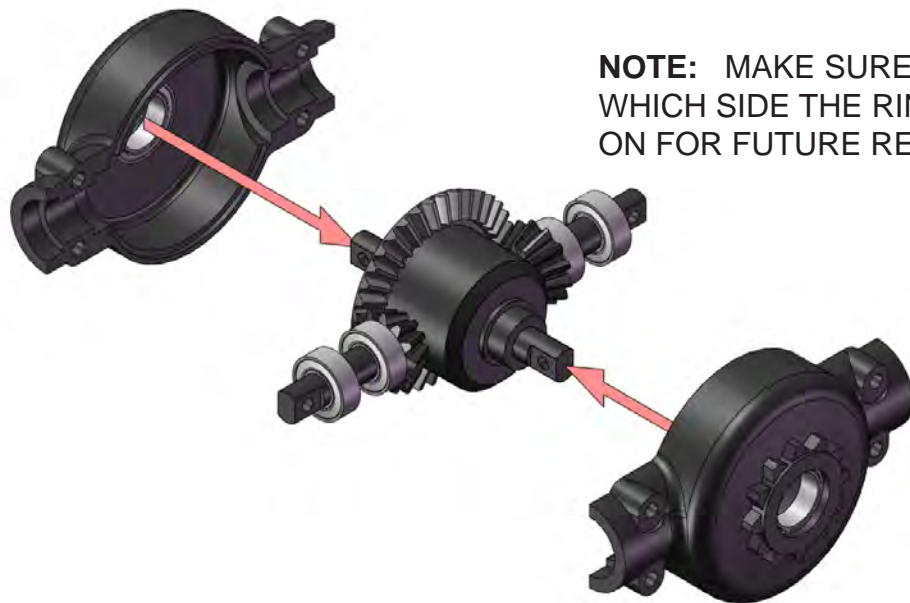
x2
CENTER DIFFERENTIAL CASE



x2
10x15x4mm BEARING



04



NOTE: MAKE SURE TO MARK WHICH SIDE THE RING GEAR IS ON FOR FUTURE REFERENCE.

05

x4
#4-40 x 3/4" SCREW

x4
#4 WASHER

x4
#4-40 NUT



NOTE: MAKING SURE THE SCREW HEADS ARE ON THE SAME SIDE AS THE RING GEAR IS AN EASY WAY TO REMEMBER WHICH SIDE IT'S ON.

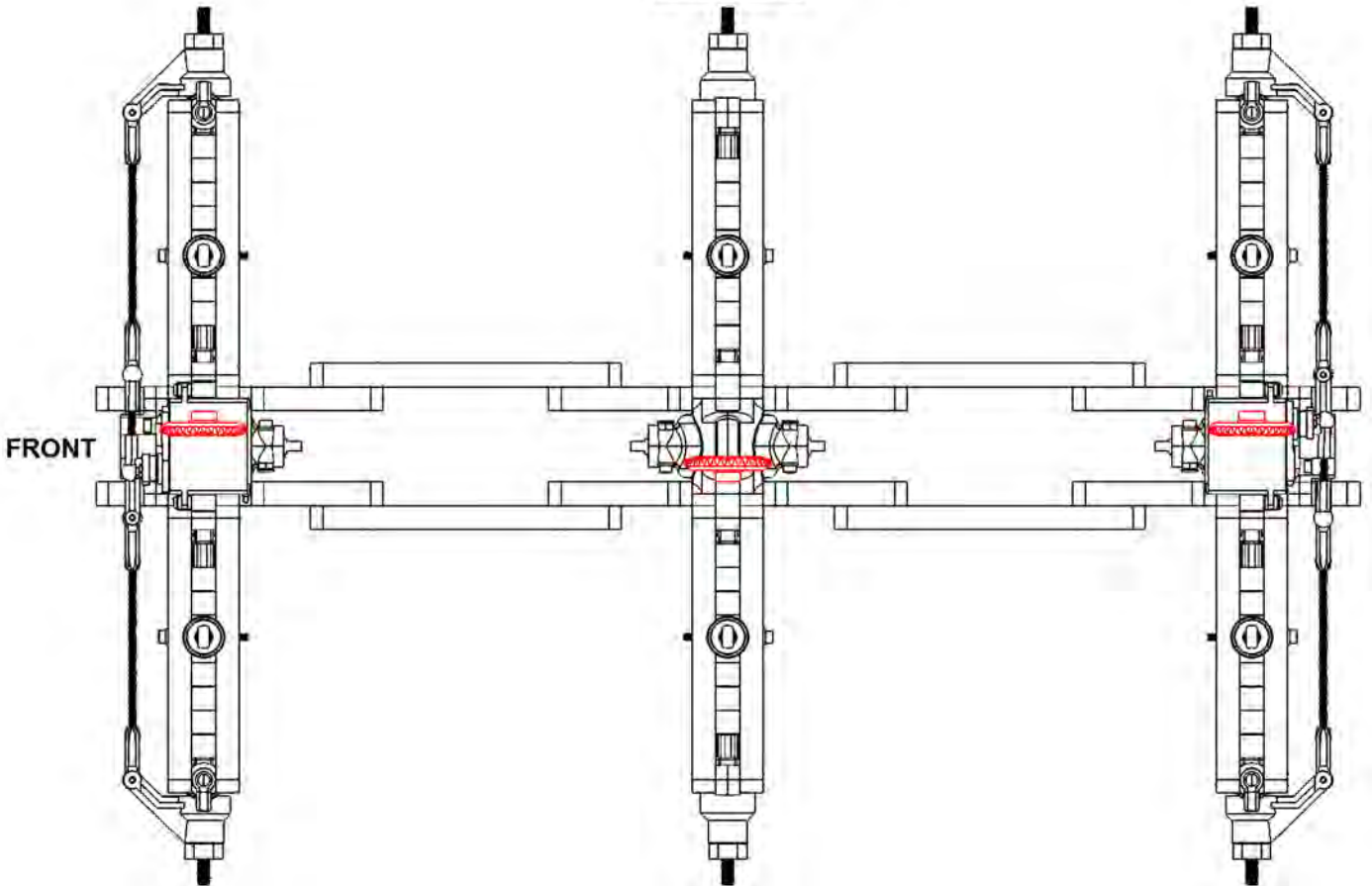
NOTICE:

THE ORIENTATION OF THE DIFFERENTIALS IS VERY IMPORTANT. MAKE SURE TO PAY CLOSE ATTENTION TO THE ASSEMBLY OF THE DIFFERENTIALS, ESPECIALLY WHICH SIDE THE RING GEAR IS ON, AS IT DETERMINES THE WHEELS DIRECTION OF ROTATION.

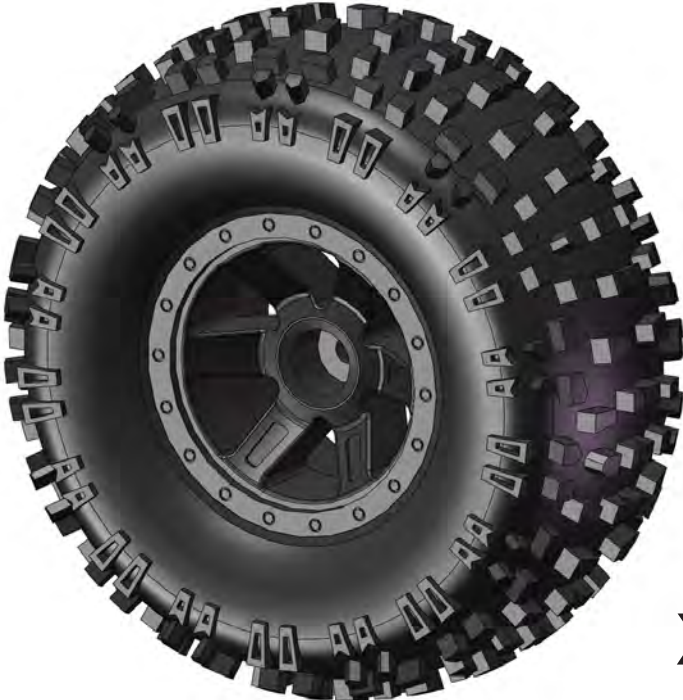
REFER TO THIS DIAGRAM WHEN ATTACHING THE AXLES TO THE FRAME, INSURING THE RING GEARS ARE IN THE APPROPRIATE LOCATIONS. HAVING THE DIFFERENTIALS IN BACKWARD WILL RESULT IN THE WHEELS ROTATING THE WRONG DIRECTION.

IT IS RECOMMENDED THAT YOU MANUALLY CHECK THE ROTATION OF THE DRIVETRAIN BEFORE INSTALLING THE ELECTRONICS. IF THEY ARE NOT ROTATING IN THE PROPER DIRECTION, THE AXLE MUST BE REMOVED AND THE DIFFERENTIAL TURNED UPSIDE-DOWN.

TOP VIEW



WHEEL & TIRE ASSEMBLY



x4



x1
BADLANDS 2.2" TIRE

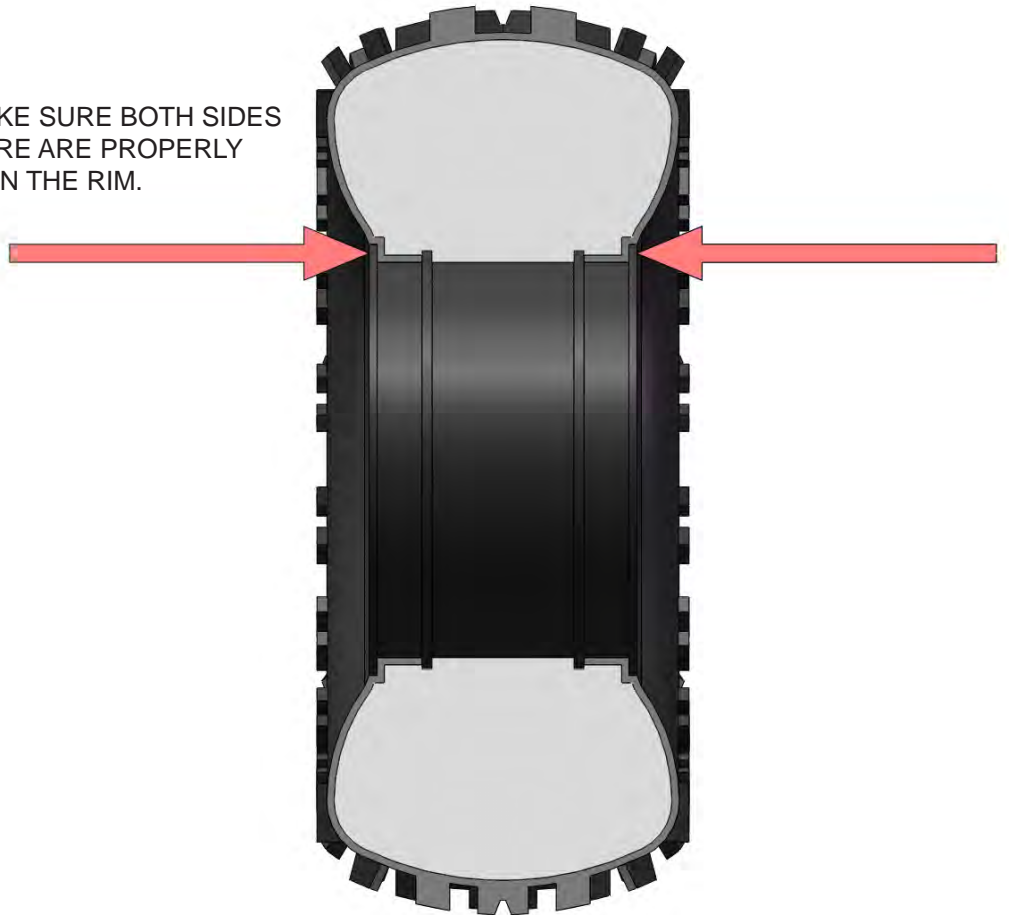


x1
DESPERADO WHEEL





NOTE: MAKE SURE BOTH SIDES OF THE TIRE ARE PROPERLY SEATED ON THE RIM.



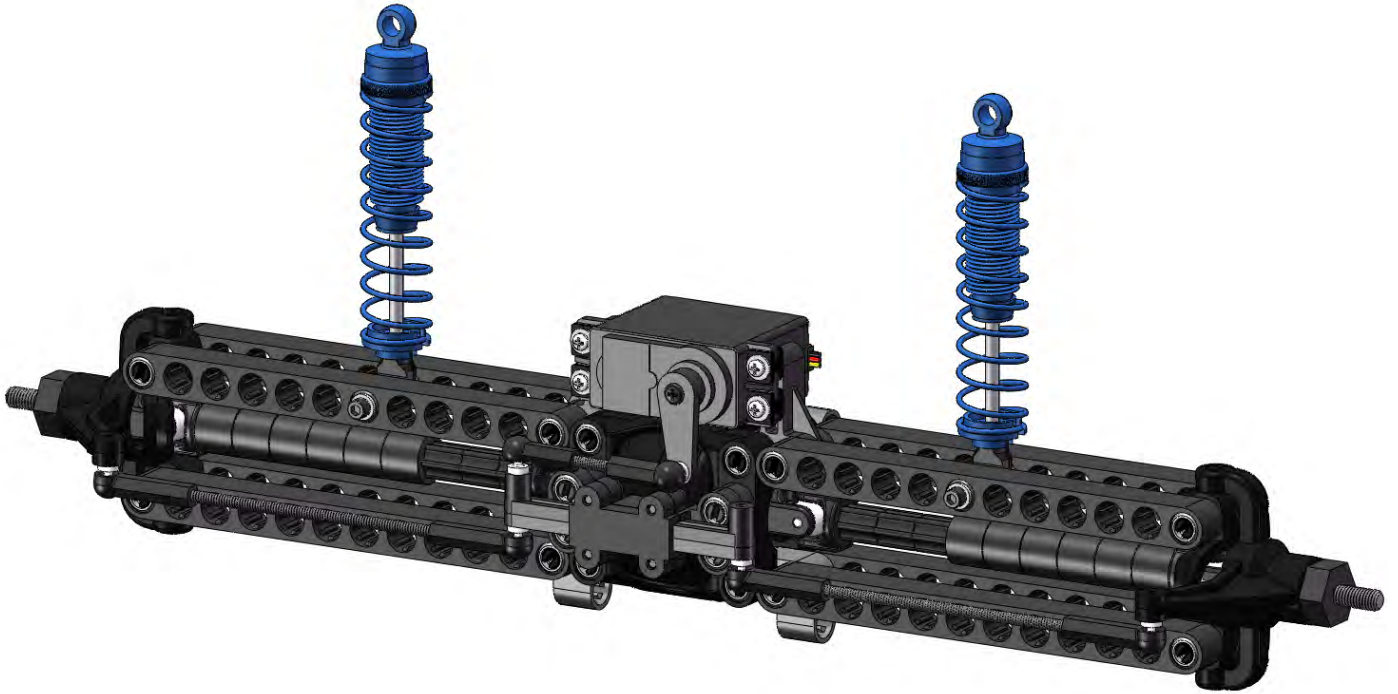
OPTIONAL: IF YOU WOULD LIKE TO GLUE YOUR TIRES DOWN, PLACE A SMALL BEAD OF CA GLUE BETWEEN THE WHEEL AND TIRE. BE SURE TO PLACE TIRE BEAD BACK ONTO THE RIM PROPERLY.



6x6



FRONT AXLE



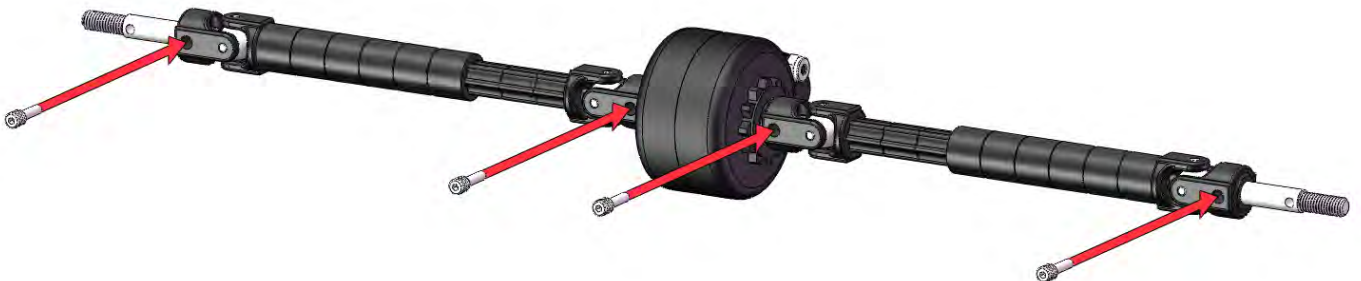
x2
6-DRIVELINE



x2
M5 WHEEL END SHAFT



x4
U-JOINT SET SCREW



02

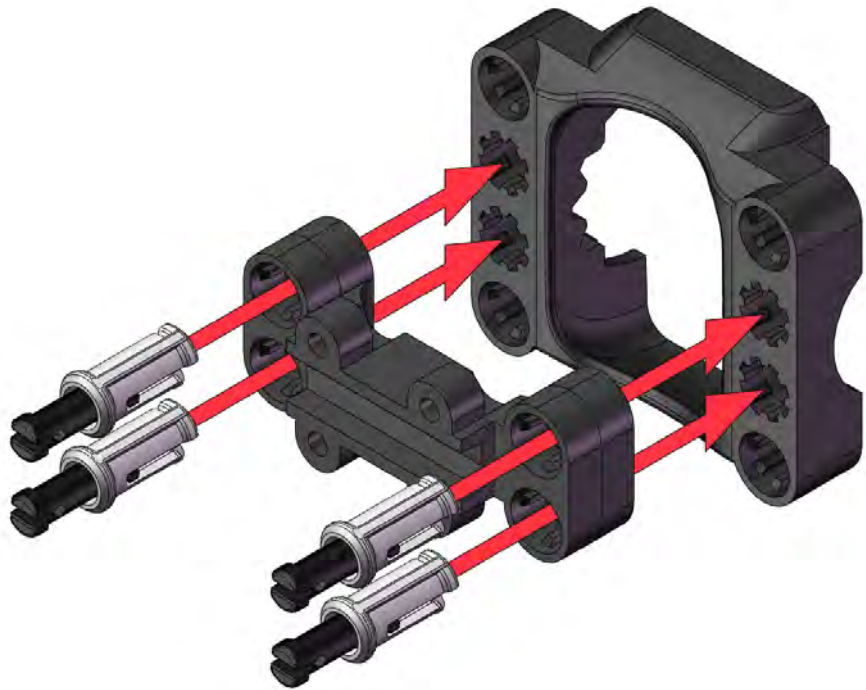
x1
AXLE HOUSING



x1
STEERING BRACKET



x4
1.5-LOCK



03

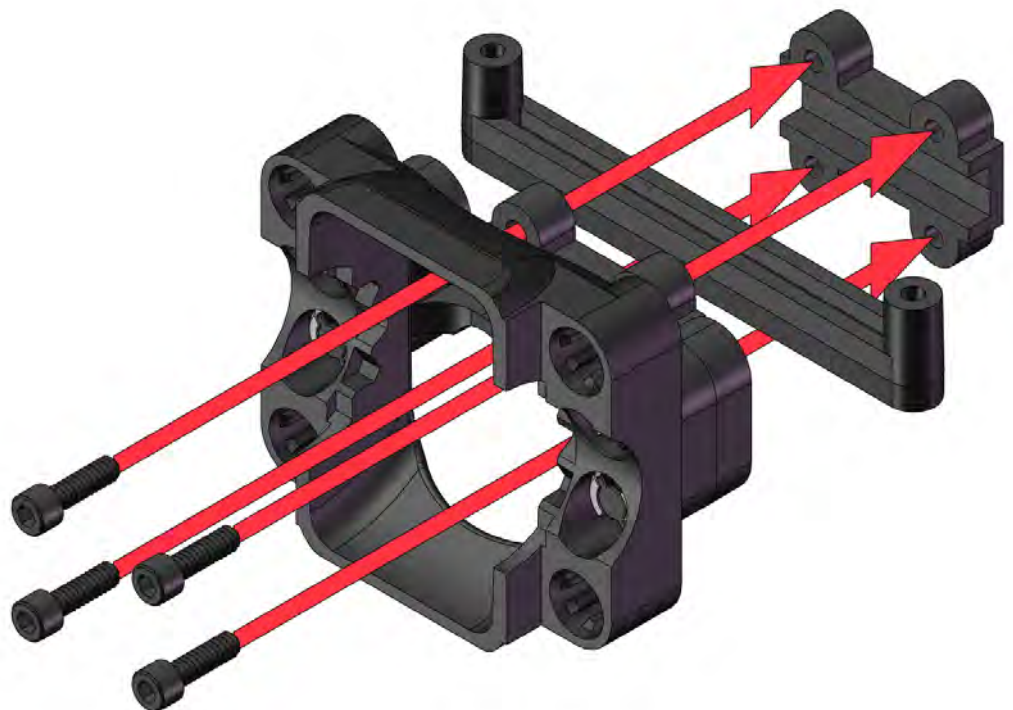
x1
STEERING BAR



x1
STEERING PLATE



x4
#4-40 x 3/8" SCREW



04

x1
AXLE HOUSING



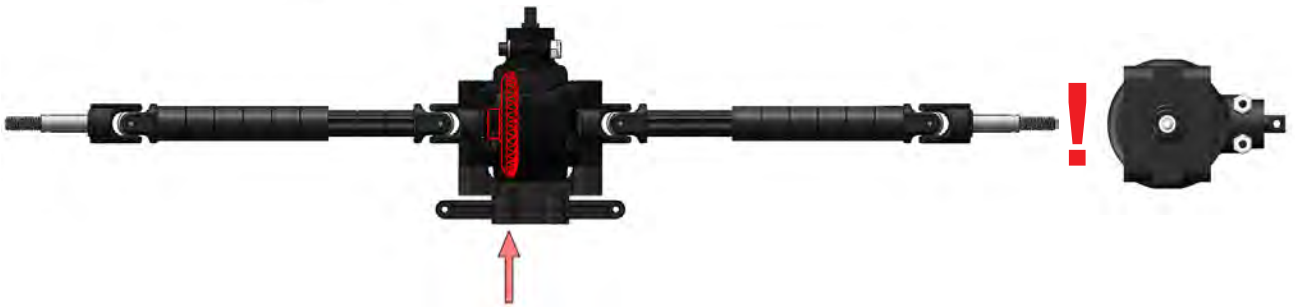
x2
SERVO MOUNT



x2
TRANSITION



x4
3-LOCK



05

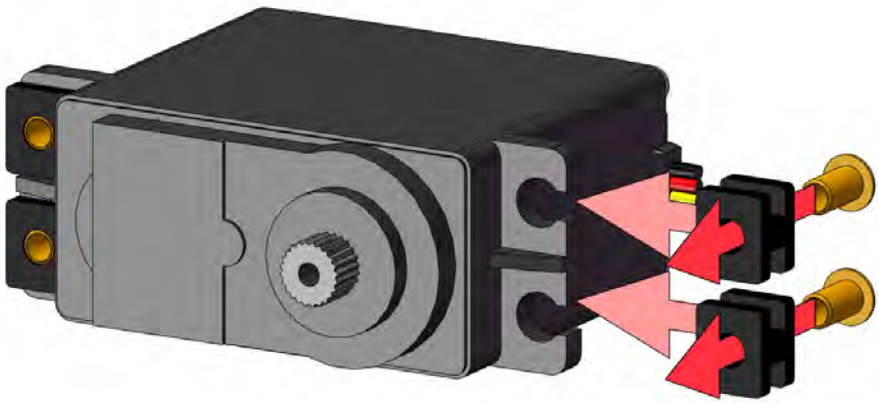
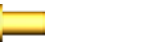
x1
HS-485HB SERVO



x4
SERVO BUSHING



x4
SERVO BUSHING SLEEVE

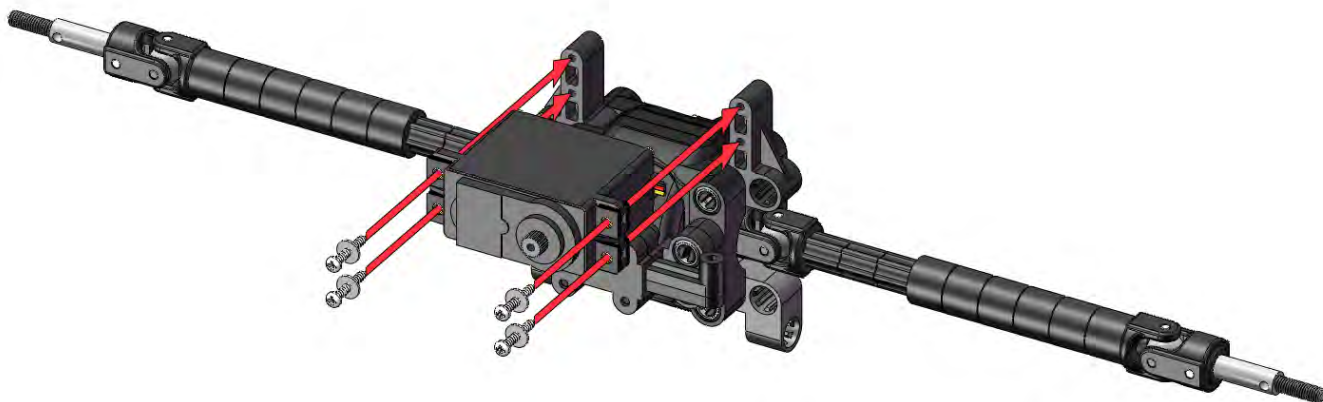


06

x4
#2-32 x 5/8" SCREW



x4
#2 WASHER





07

x4
12-BEAM



x2
90mm SHOCK



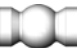
x2
#4-40 x 1-3/8" SCREW




x2
#4 WASHER




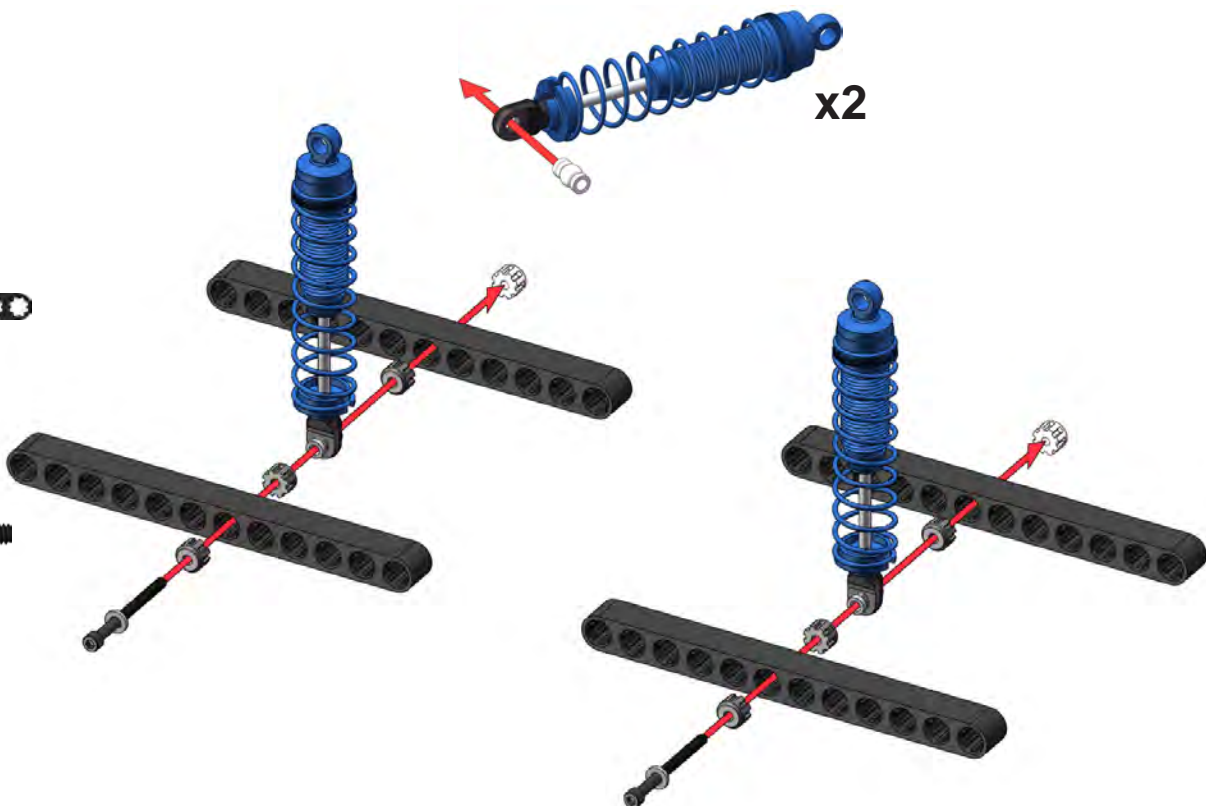
x2
ROD END BALL



x6
CLEARANCE THREAD ADAPTER



x2
INTERFERENCE THREAD ADAPTER

08

x4
12-BEAM



x2
FRONT WHEEL HUB



x2
FRONT WHEEL KNUCKLE



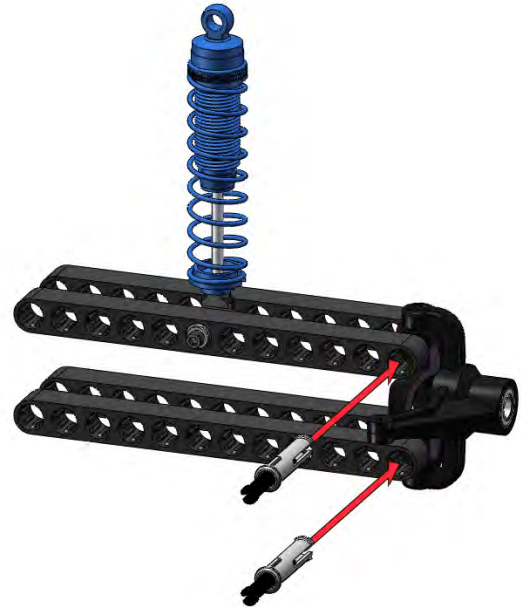
x4
3-ROTATE



x4
6x12x4mm BEARING



x2

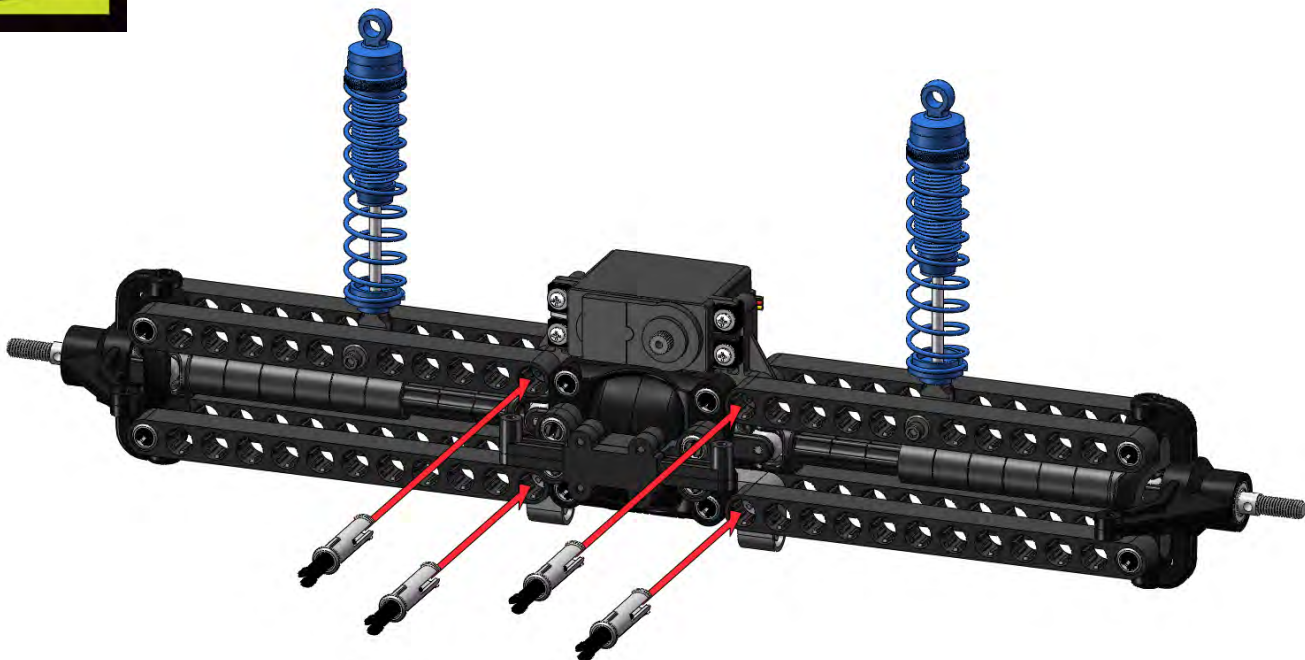


09

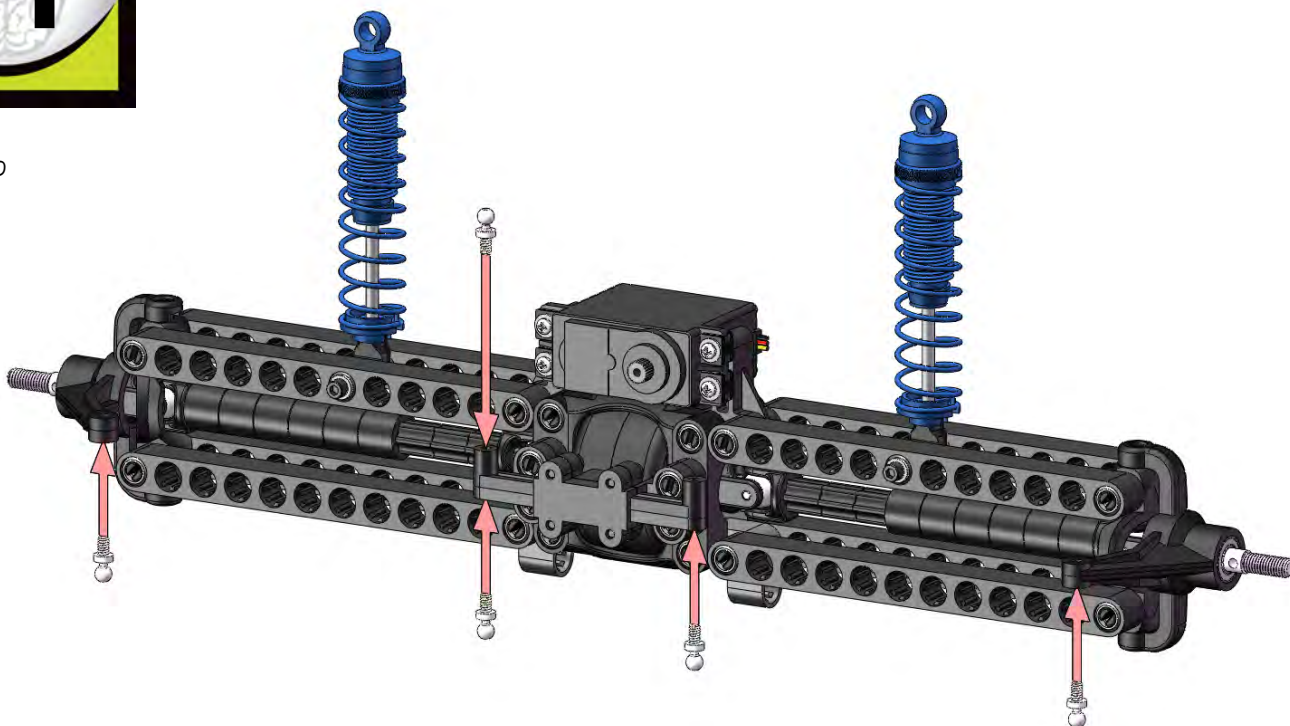




x4
3-ROTATE



x5
3/16" BALL STUD





x2
#4-40 x 3-3/4" THREAD ROD

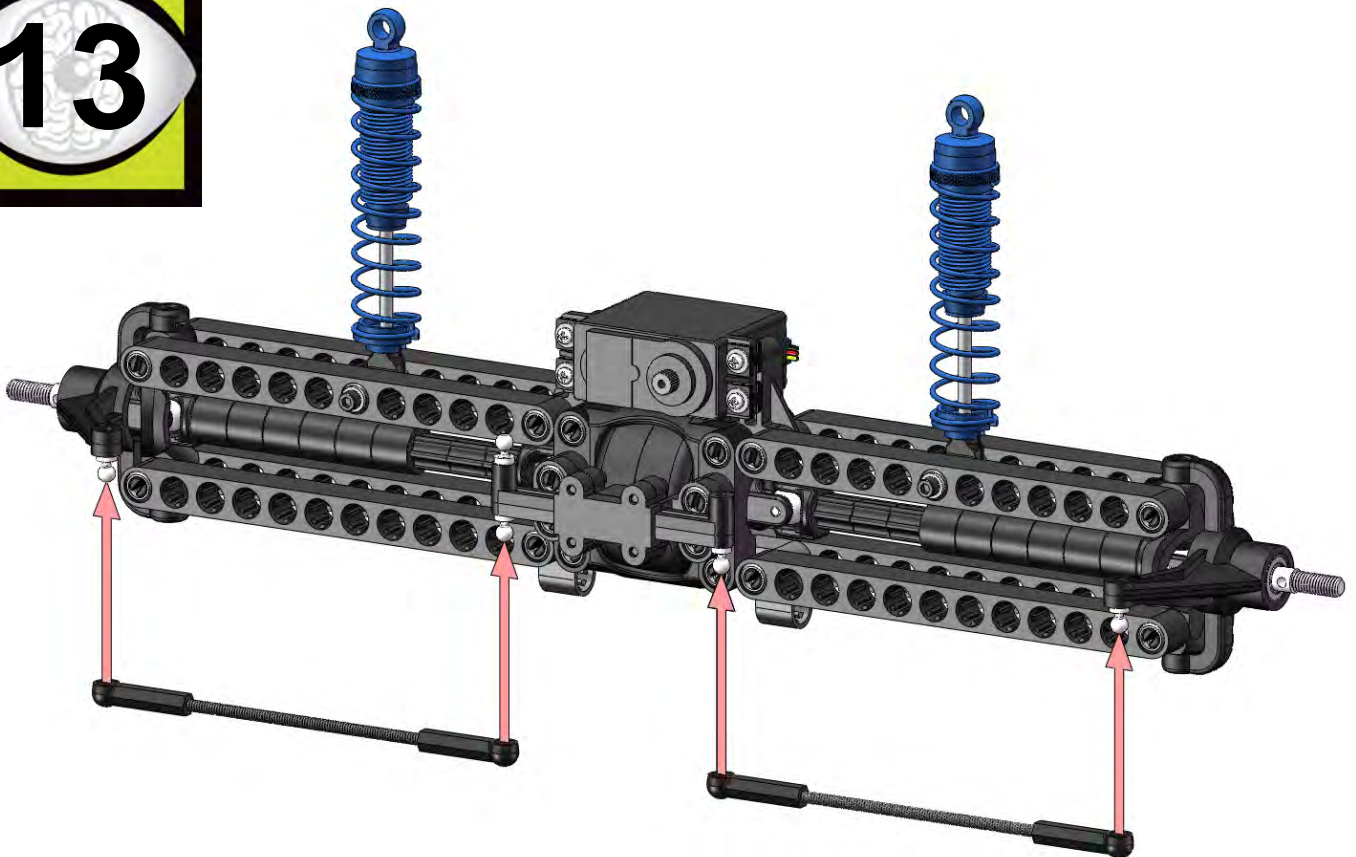
x4
23mm BALL CUP



=



1:1 SCALE
x2





x1
#4-40 x 1" THREAD ROD

x2
18mm BALL CUP



=

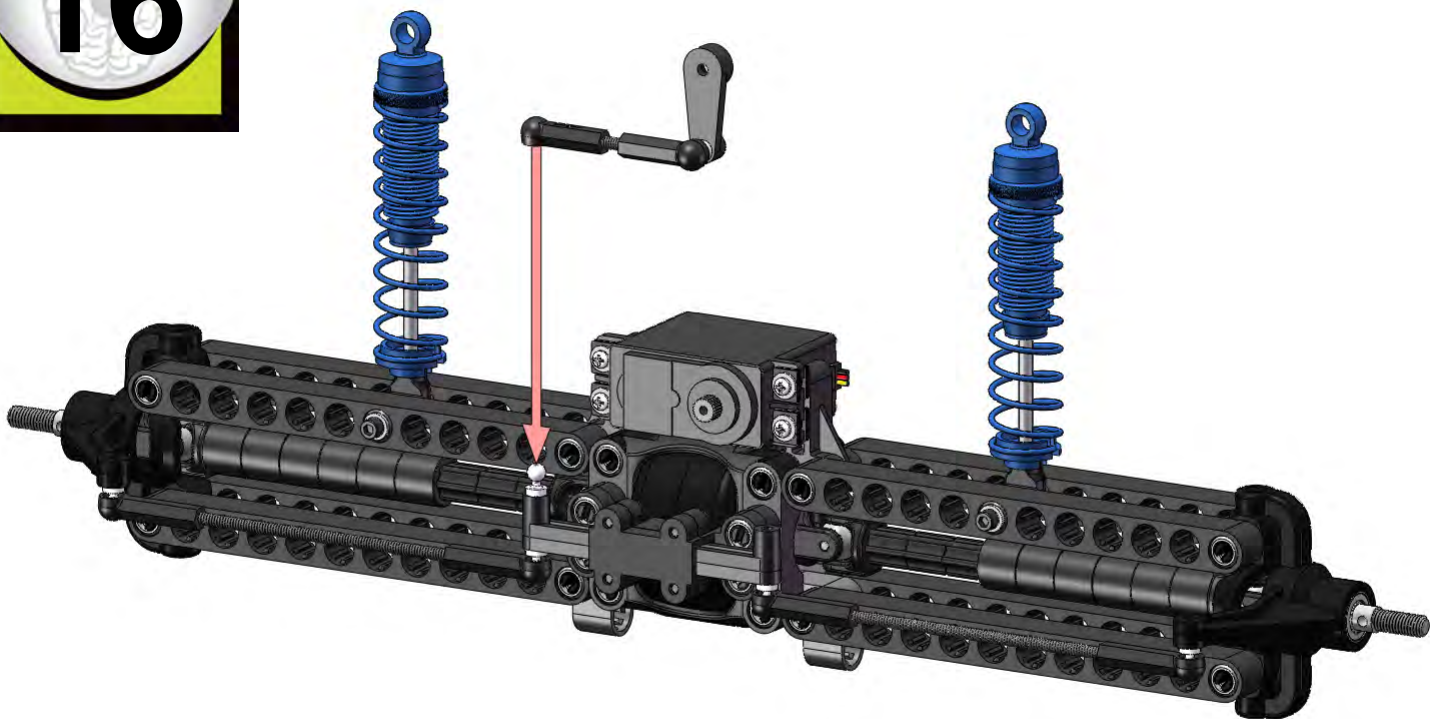
1:1 SCALE



x1
STEERING SERVO HORN

x1
3/16" BALL STUD

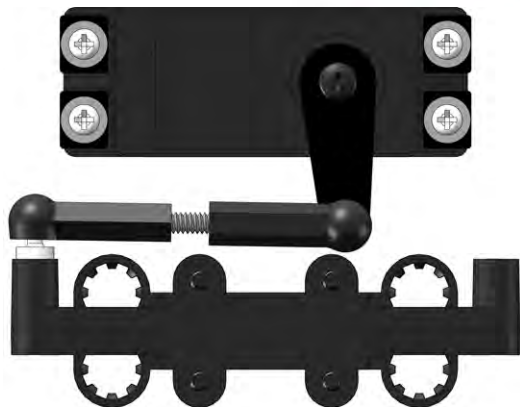
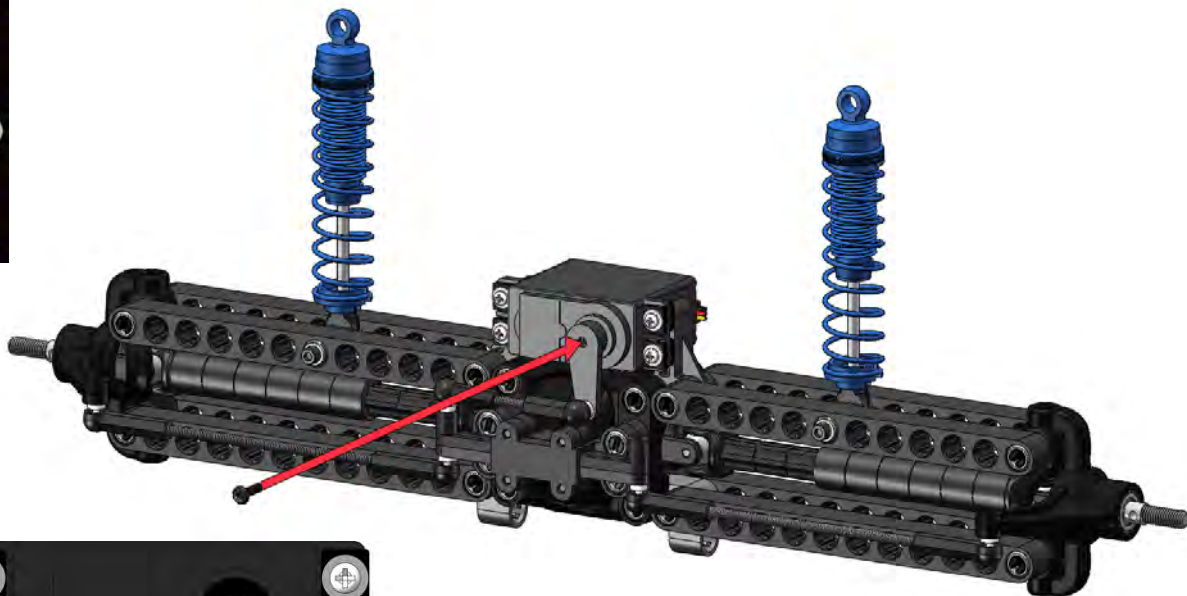




NOTE: REFER TO RADIO CONTROL SYSTEM INSTRUCTION MANUAL FOR PROPER SERVO SET-UP AND ADJUSTMENT



x1
SERVO HORN SCREW

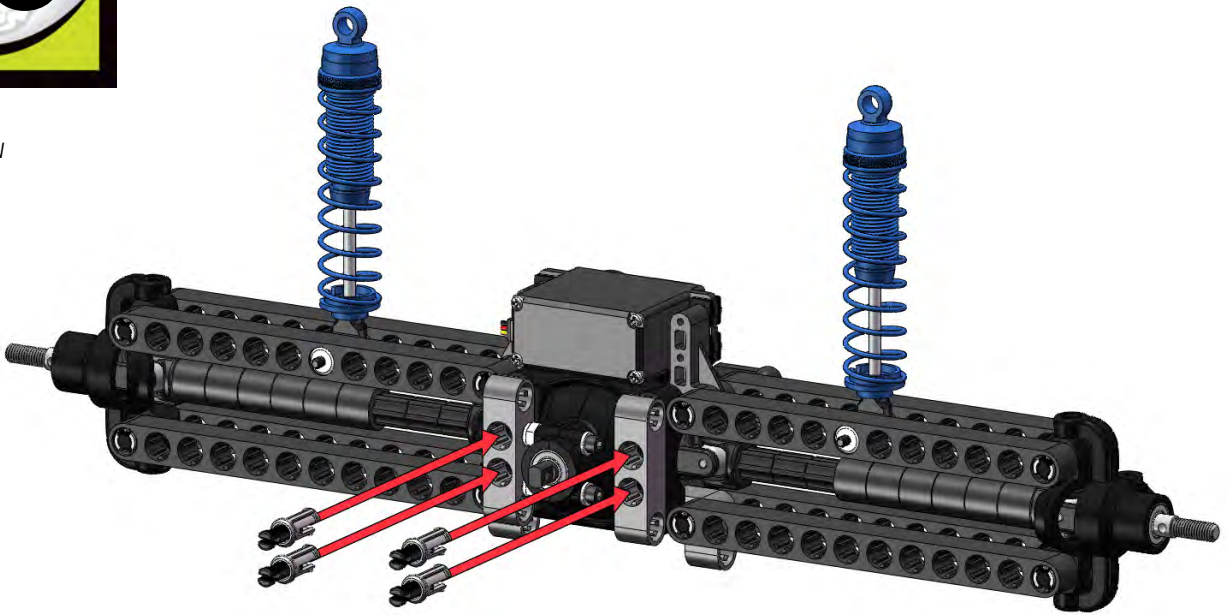


18

x2
DUAL TRANSITION



x4
1.5-LOCK

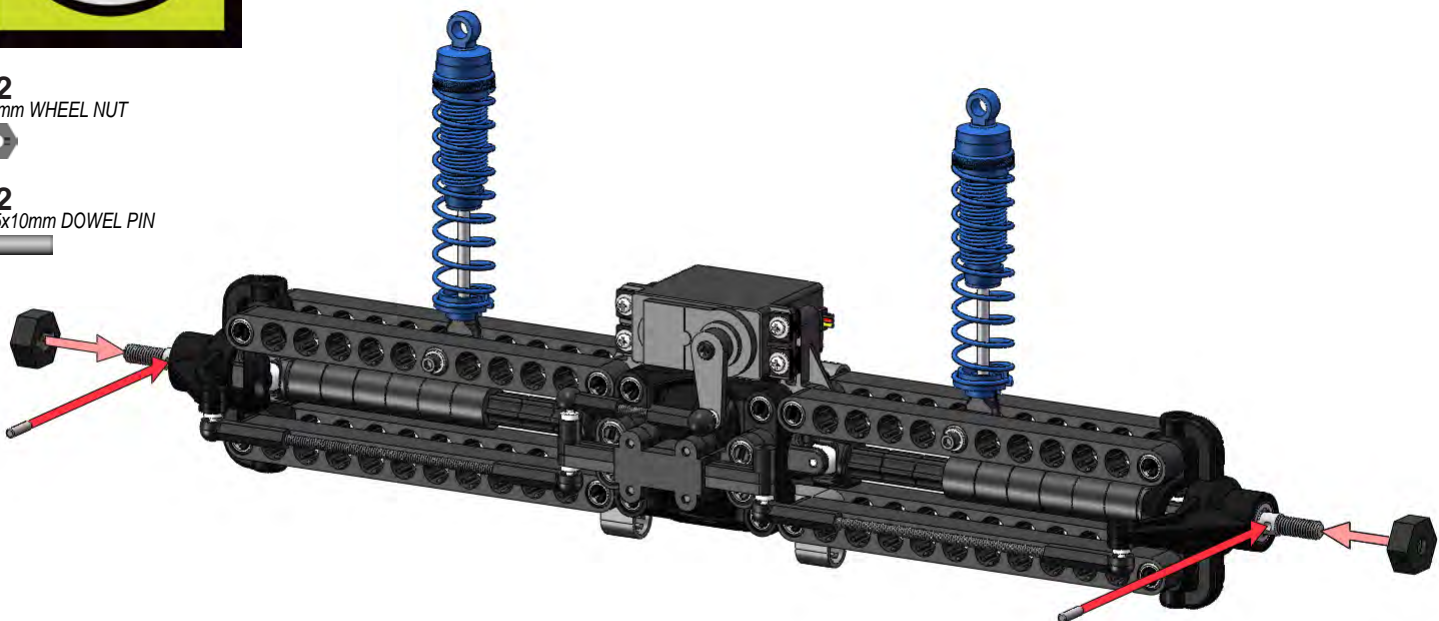


19

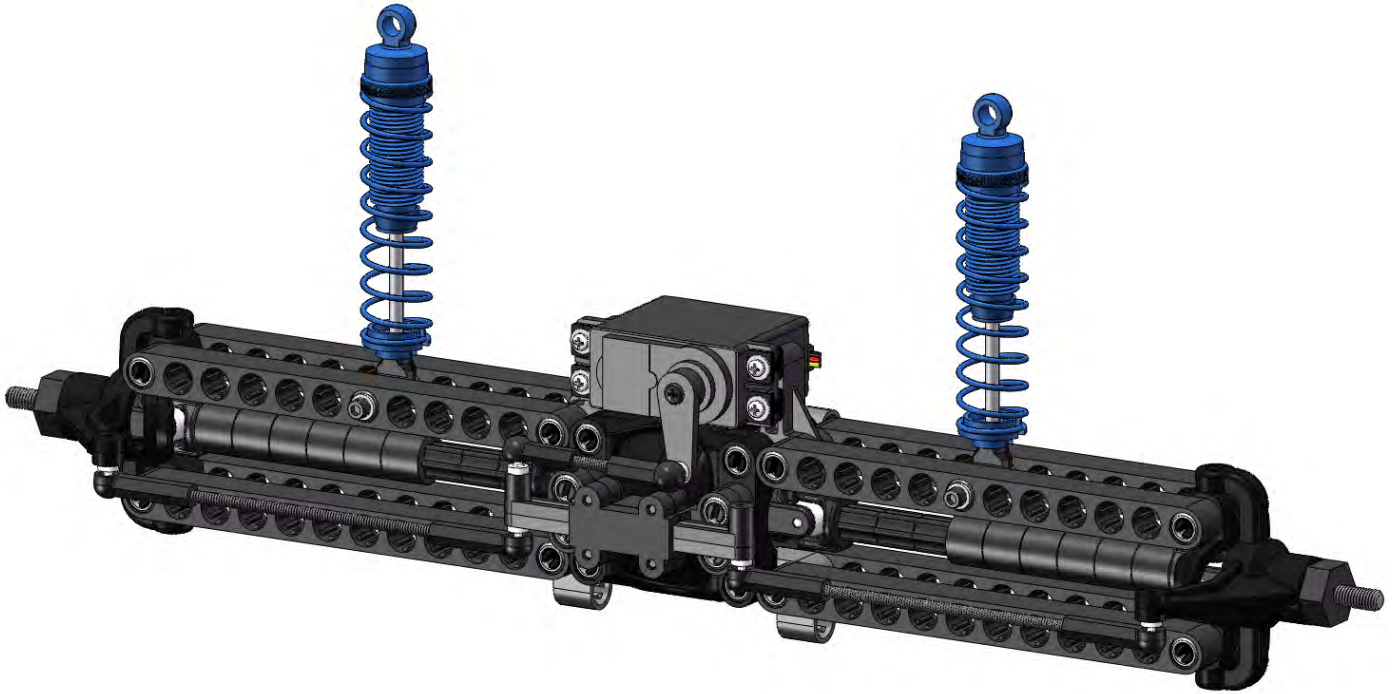
x2
14mm WHEEL NUT



x2
2.5x10mm DOWEL PIN



REAR AXLE



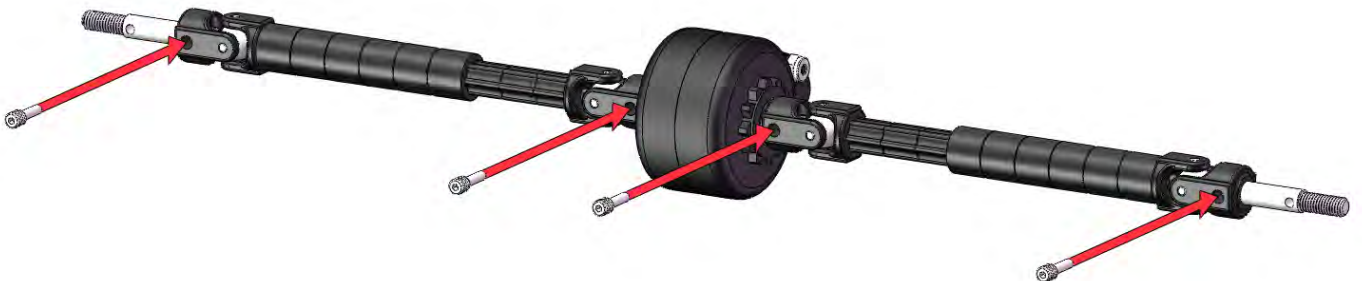
x2
6-DRIVELINE



x2
M5 WHEEL END SHAFT



x4
U-JOINT SET SCREW



02

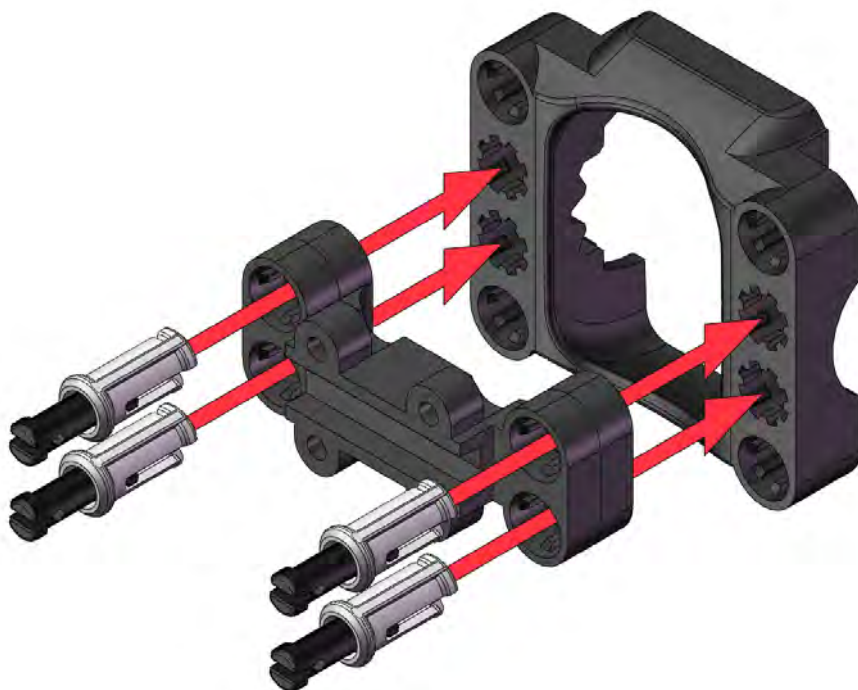
x1
AXLE HOUSING



x1
STEERING BRACKET



x4
1.5-LOCK



03

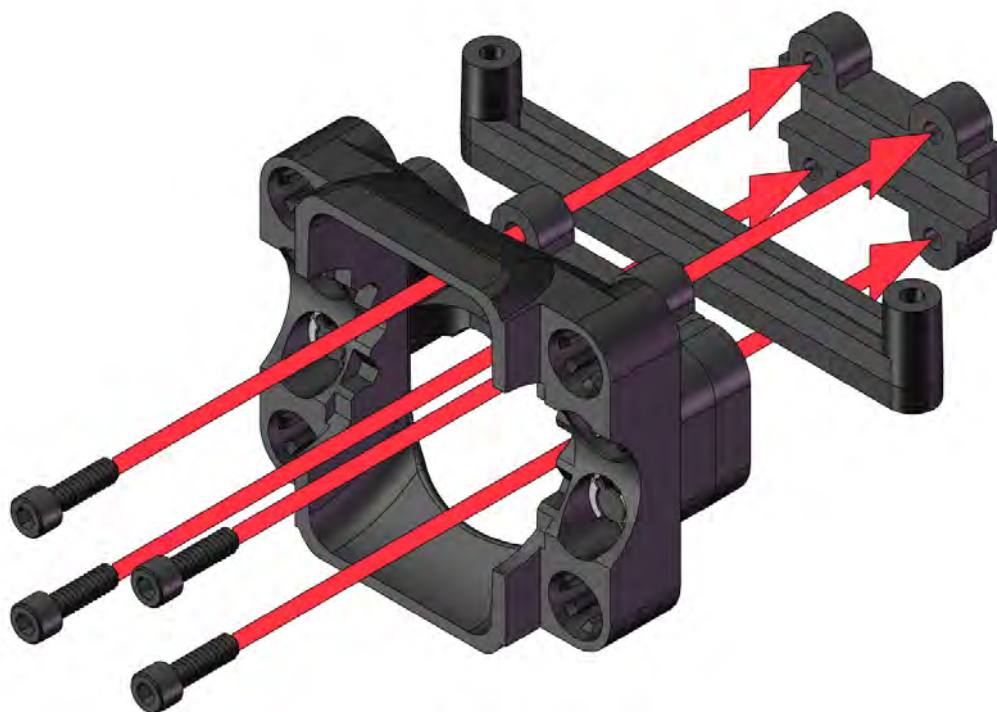
x1
STEERING BAR



x1
STEERING PLATE



x4
#4-40 x 3/8" SCREW



04

x1
AXLE HOUSING



x2
SERVO MOUNT



x2
TRANSITION



x4
3-LOCK



05

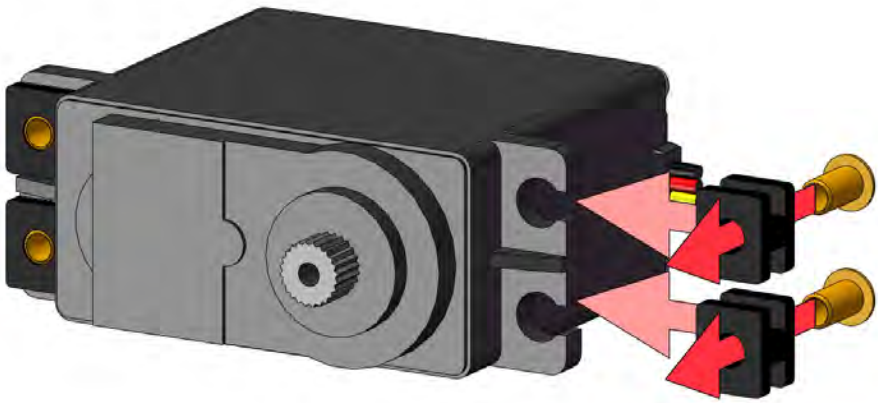
x1
HS-485HB SERVO



x4
SERVO BUSHING



x4
SERVO BUSHING SLEEVE

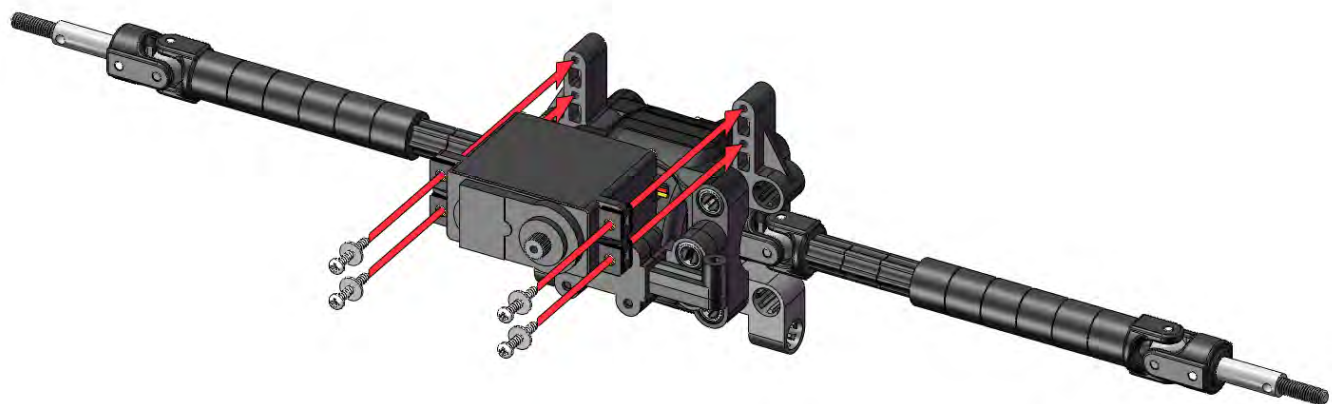


06

x4
#2-32 x 5/8" SCREW



x4
#2 WASHER





07

x4
12-BEAM



x2
90mm SHOCK



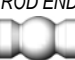
x2
#4-40 x 1-3/8" SCREW




x2
#4 WASHER



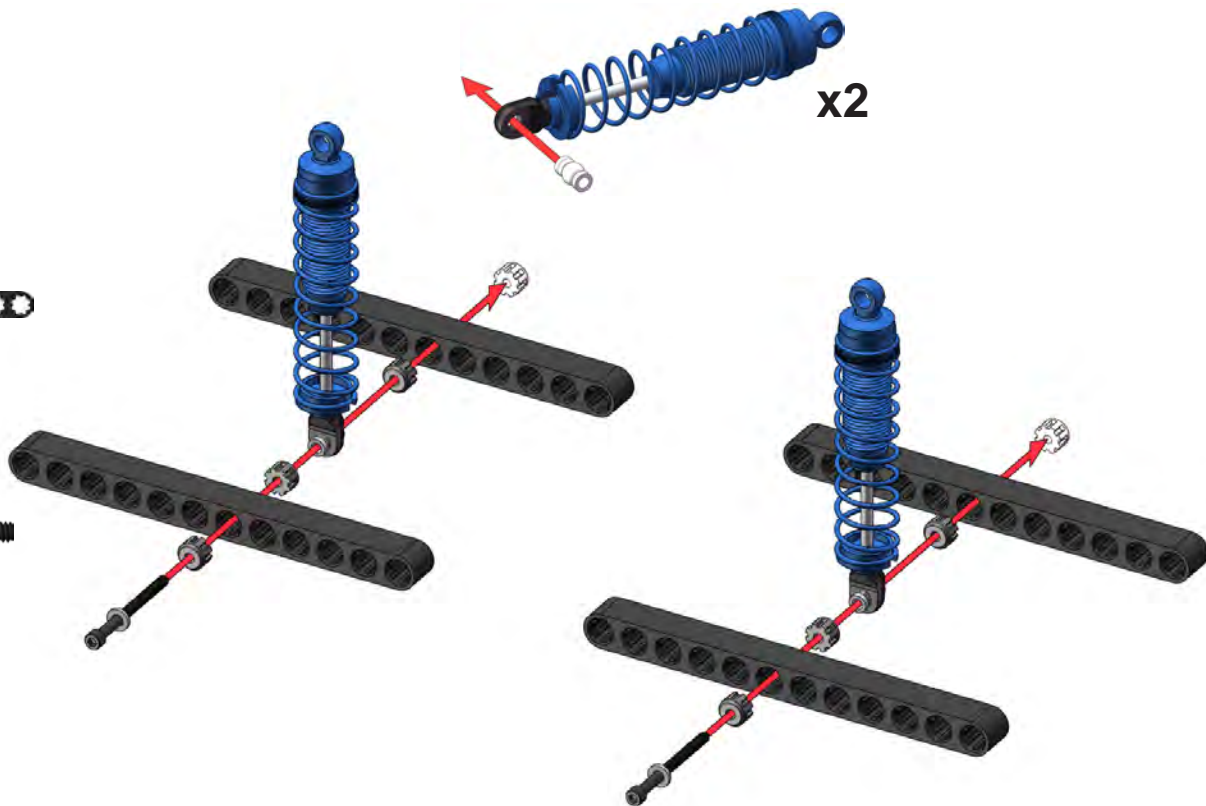
x2
ROD END BALL



x6
CLEARANCE THREAD ADAPTER



x2
INTERFERENCE THREAD ADAPTER

08

x4
12-BEAM



x2
FRONT WHEEL HUB



x2
FRONT WHEEL KNUCKLE



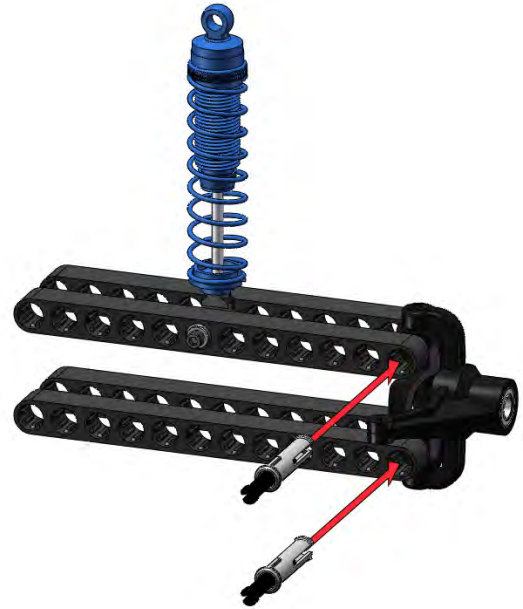
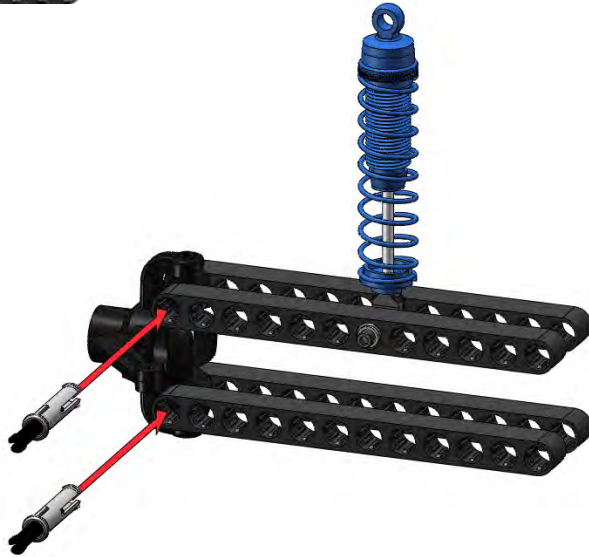
x4
3-ROTATE



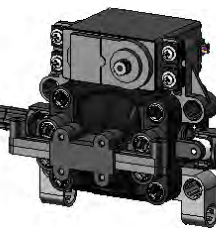
x4
6x12x4mm BEARING



x2

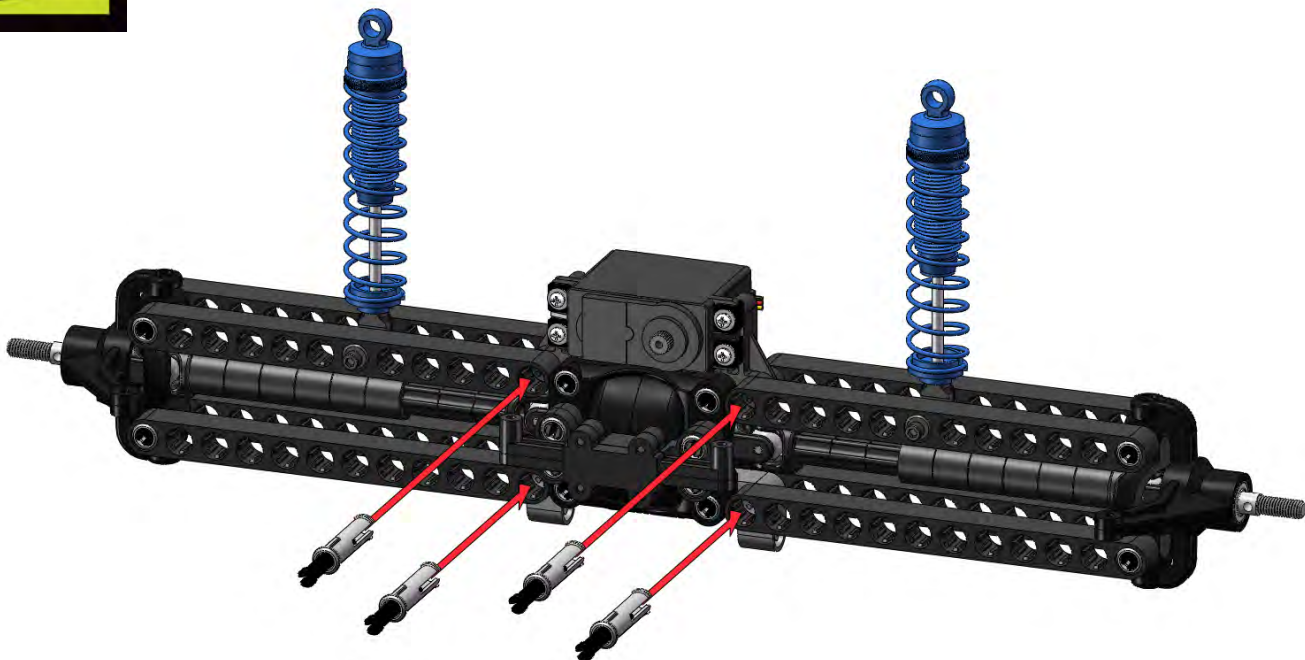


09

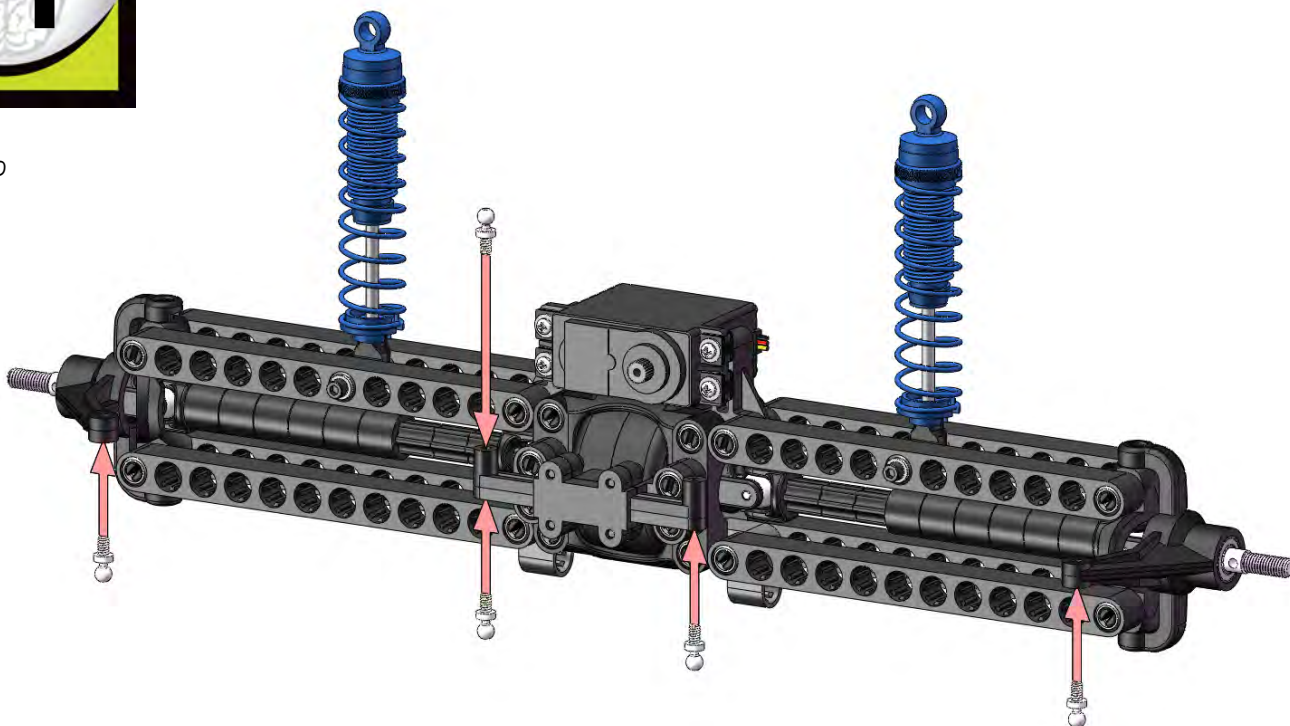




x4
3-ROTATE



x5
3/16" BALL STUD





x2
#4-40 x 3-3/4" THREAD ROD

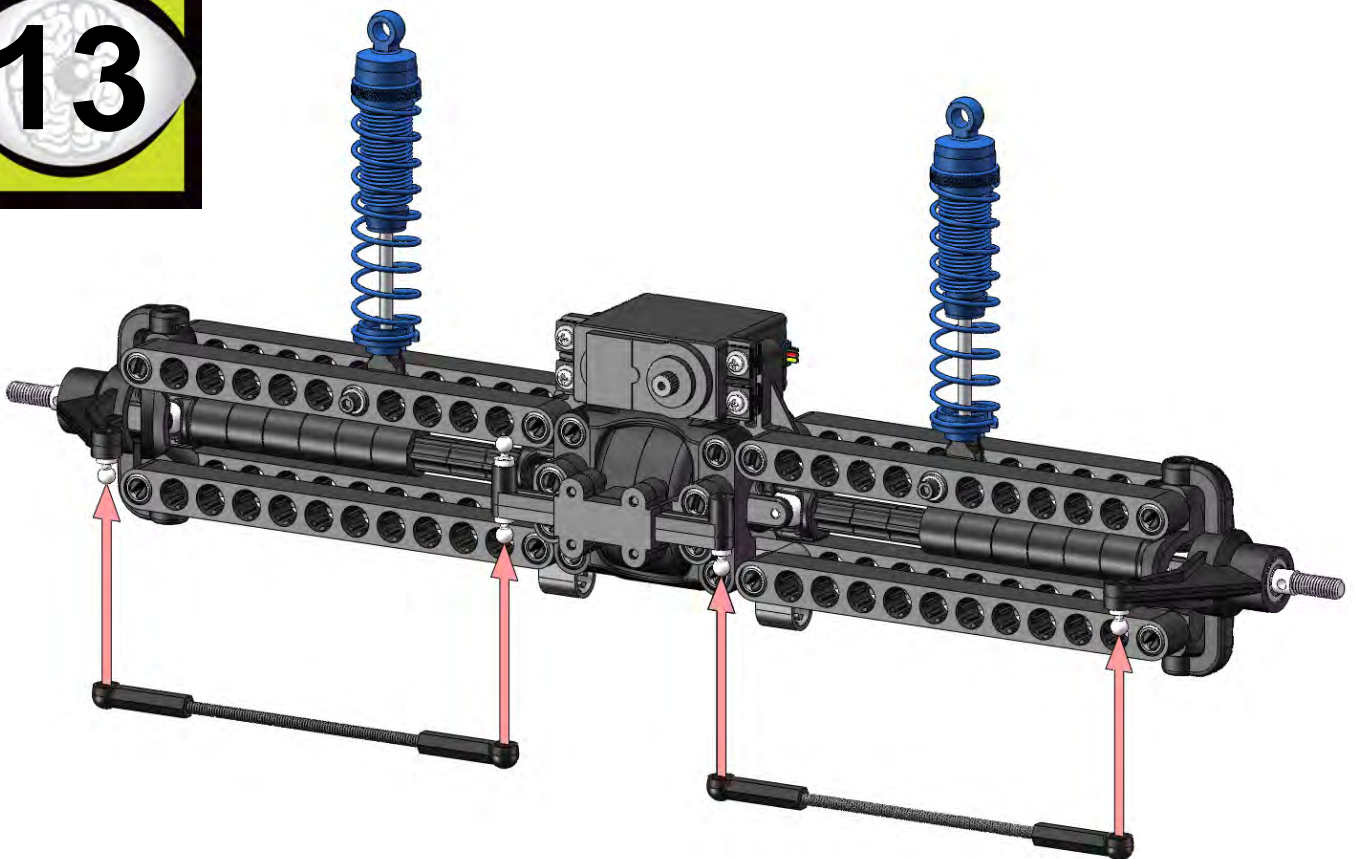
x4
23mm BALL CUP



=



1:1 SCALE
x2





x1
#4-40 x 1" THREAD ROD

x2
18mm BALL CUP



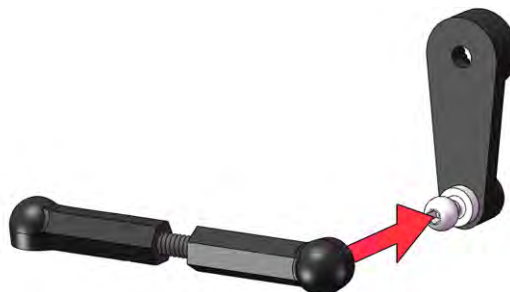
=

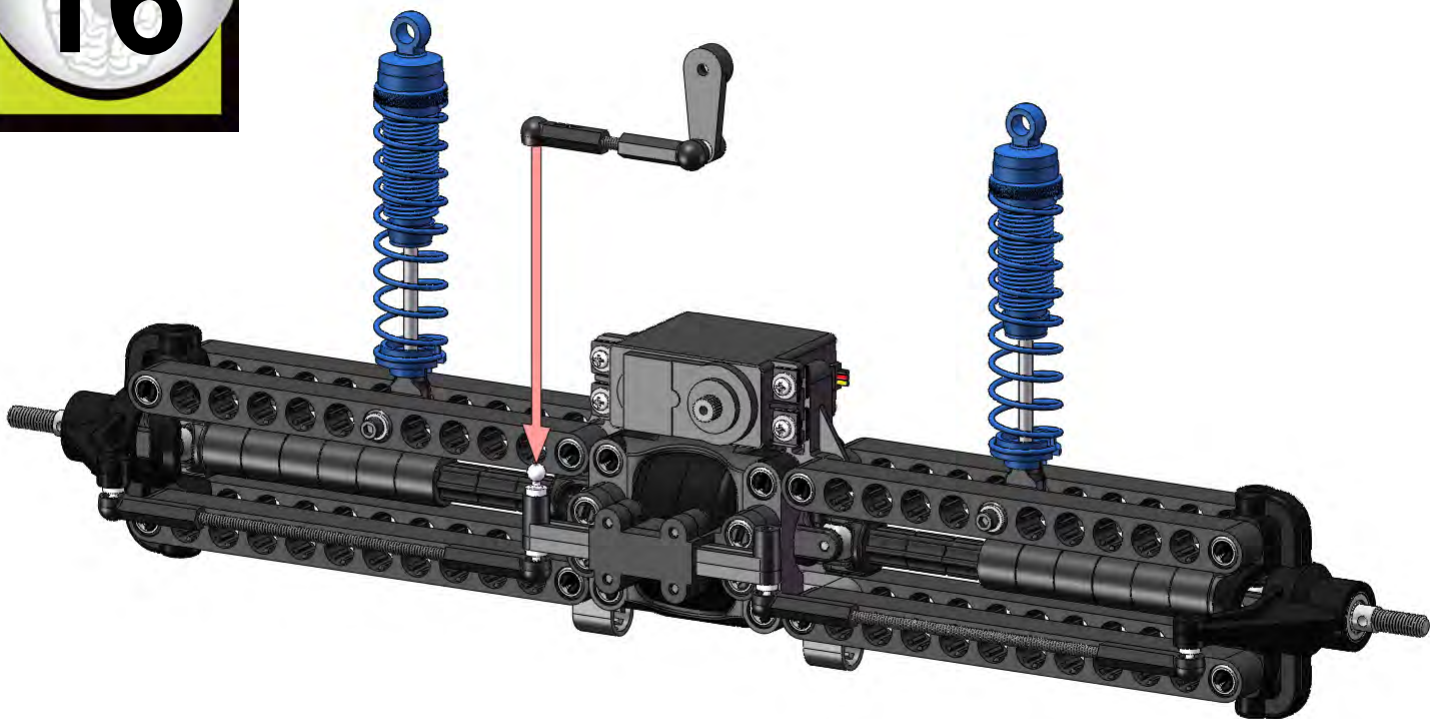
1:1 SCALE



x1
STEERING SERVO HORN

x1
3/16" BALL STUD

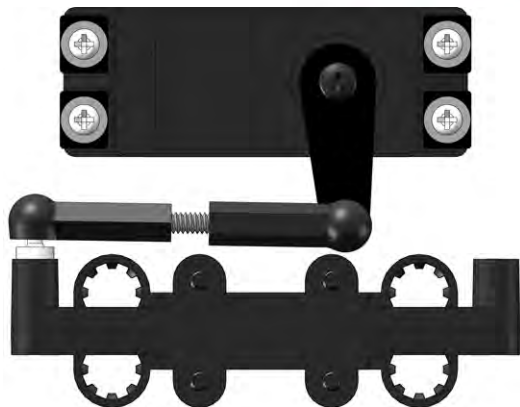
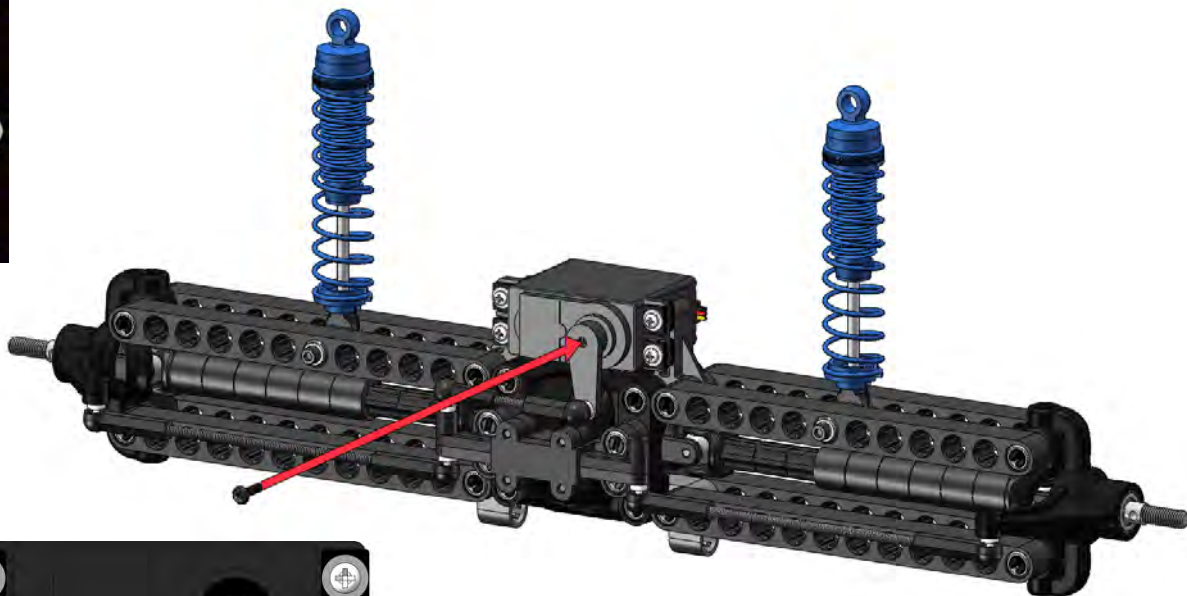




NOTE: REFER TO RADIO CONTROL SYSTEM INSTRUCTION MANUAL FOR PROPER SERVO SET-UP AND ADJUSTMENT



x1
SERVO HORN SCREW

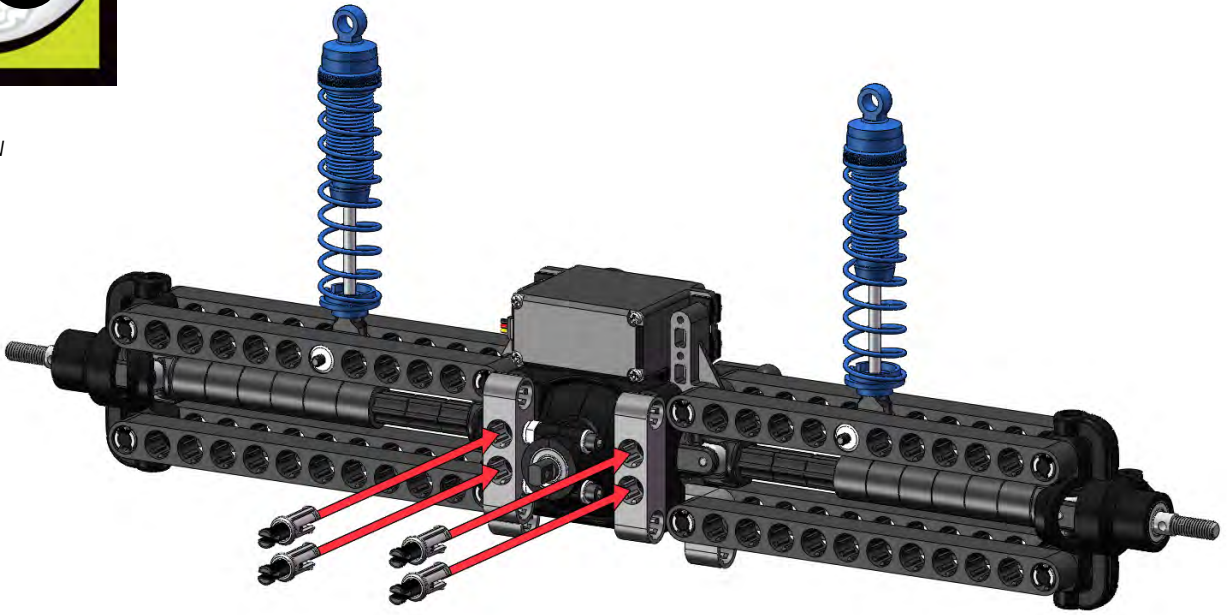


18

x2
DUAL TRANSITION



x4
1.5-LOCK

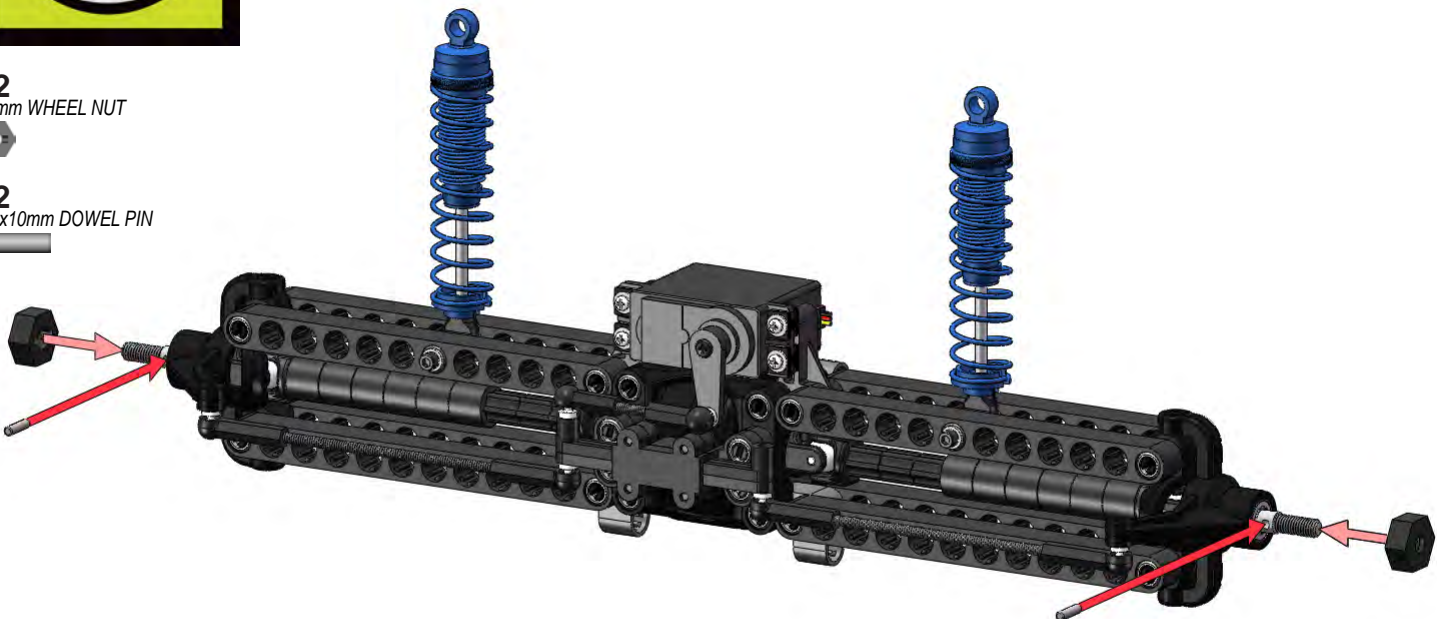


19

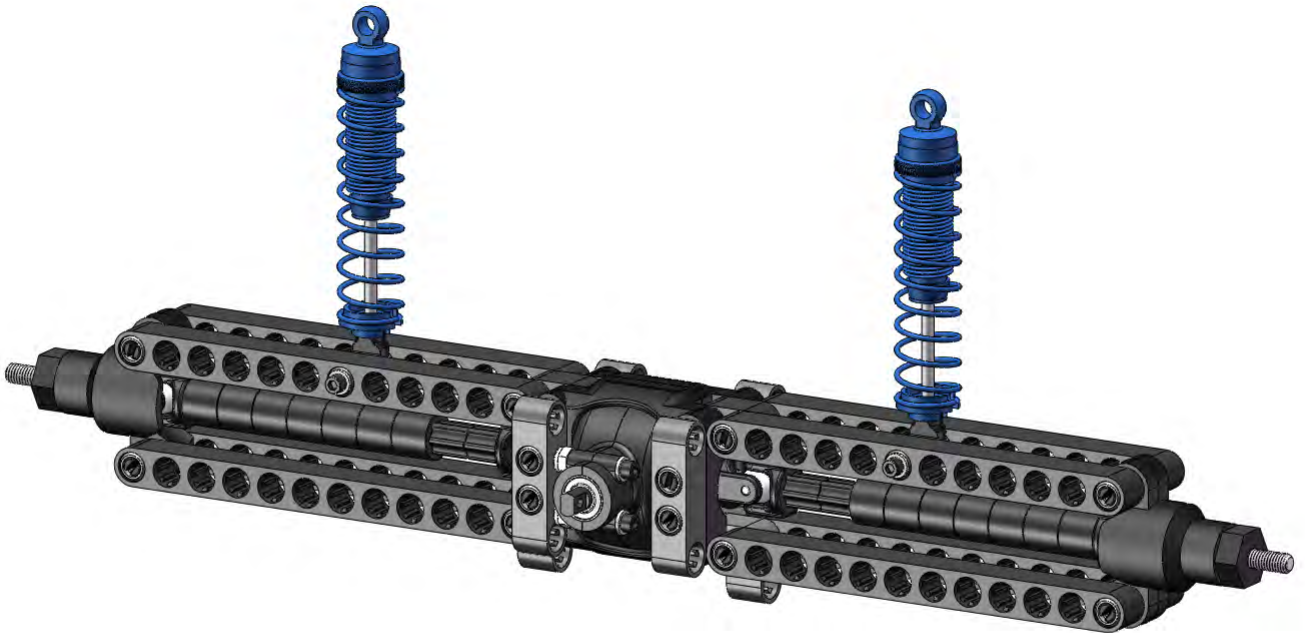
x2
14mm WHEEL NUT



x2
2.5x10mm DOWEL PIN



MIDDLE AXLE



x2
7-DRIVELINE



x2
M5 WHEEL END SHAFT



x4
U-JOINT SET SCREW



02

x2
AXLE HOUSING



x2
TRANSITION



x2
2-BEAM



x4
3-LOCK



03

x4
12-BEAM



x2
90mm SHOCK



x2
#4-40 x 1-3/8" SCREW



x2
#4 WASHER



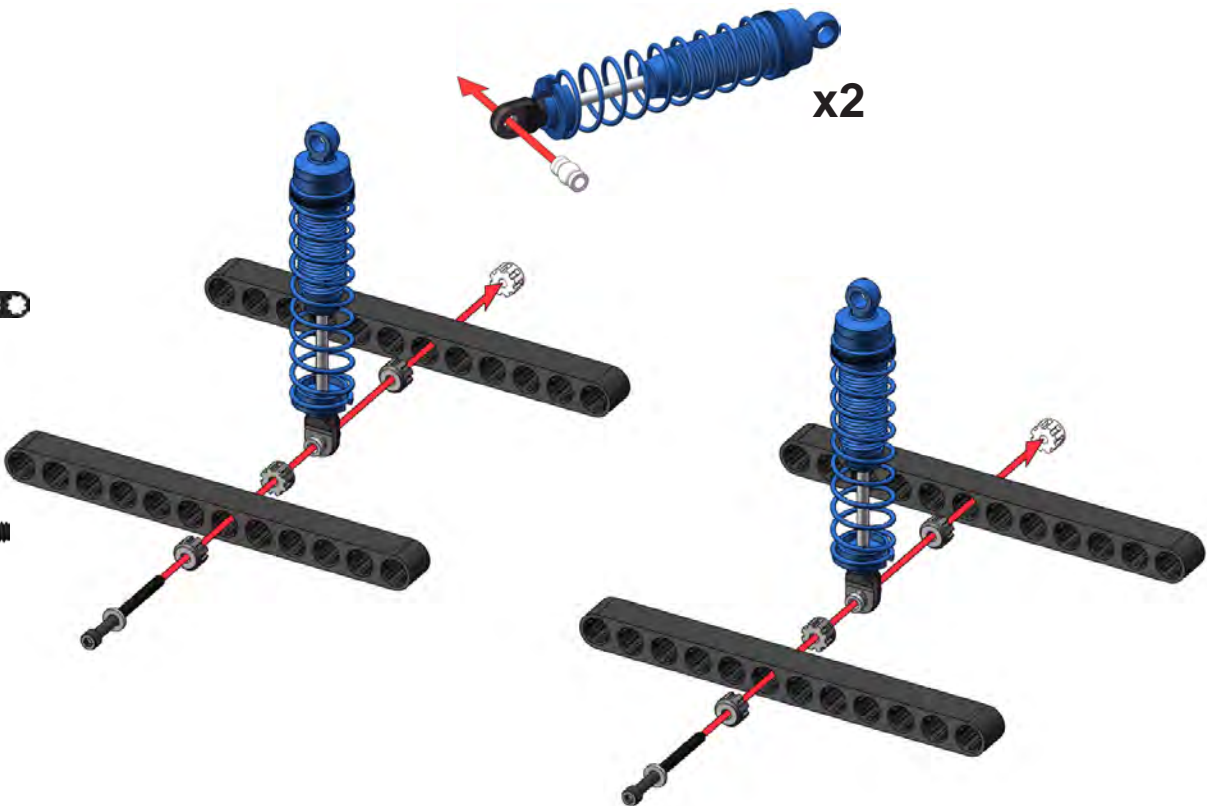
x2
ROD END BALL



x6
CLEARANCE THREAD
ADAPTER



x2
INTERFERENCE
THREAD
ADAPTER



04

x4
12-BEAM



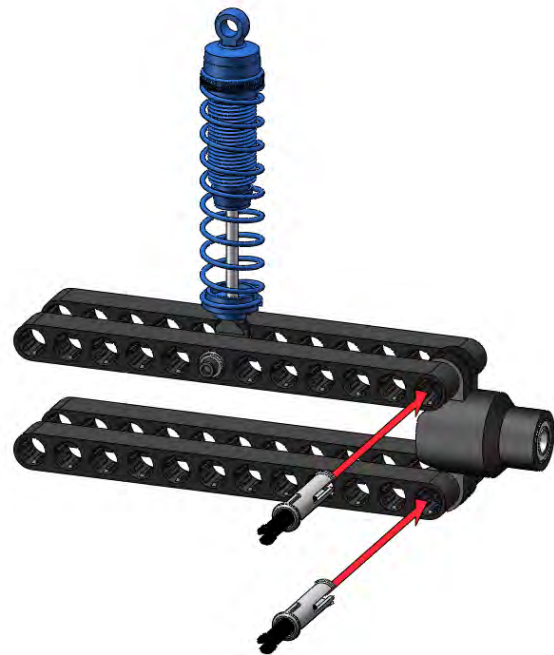
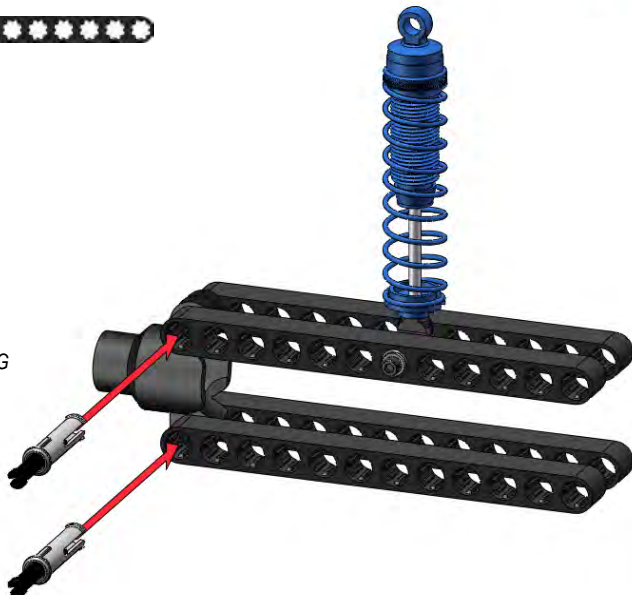
x2
REAR WHEEL HUB



x4
3-ROTATE



x4
6x12x4mm BEARING

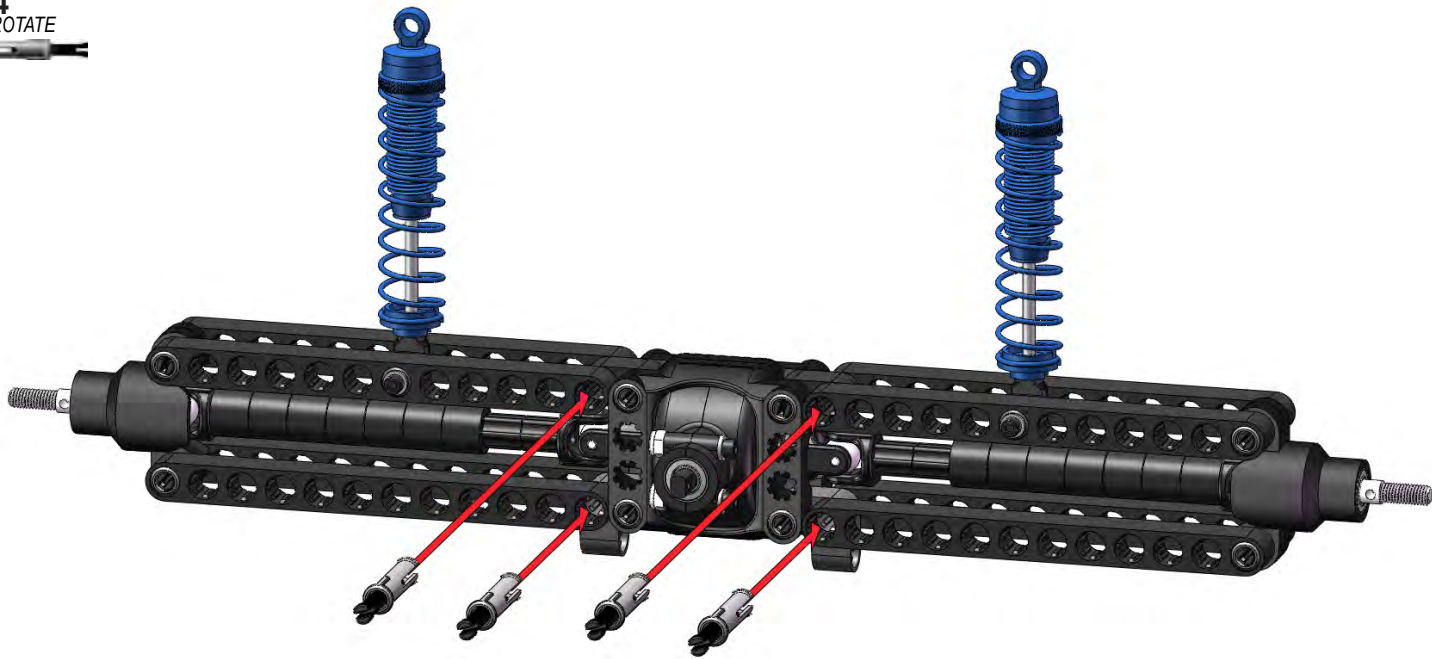



05





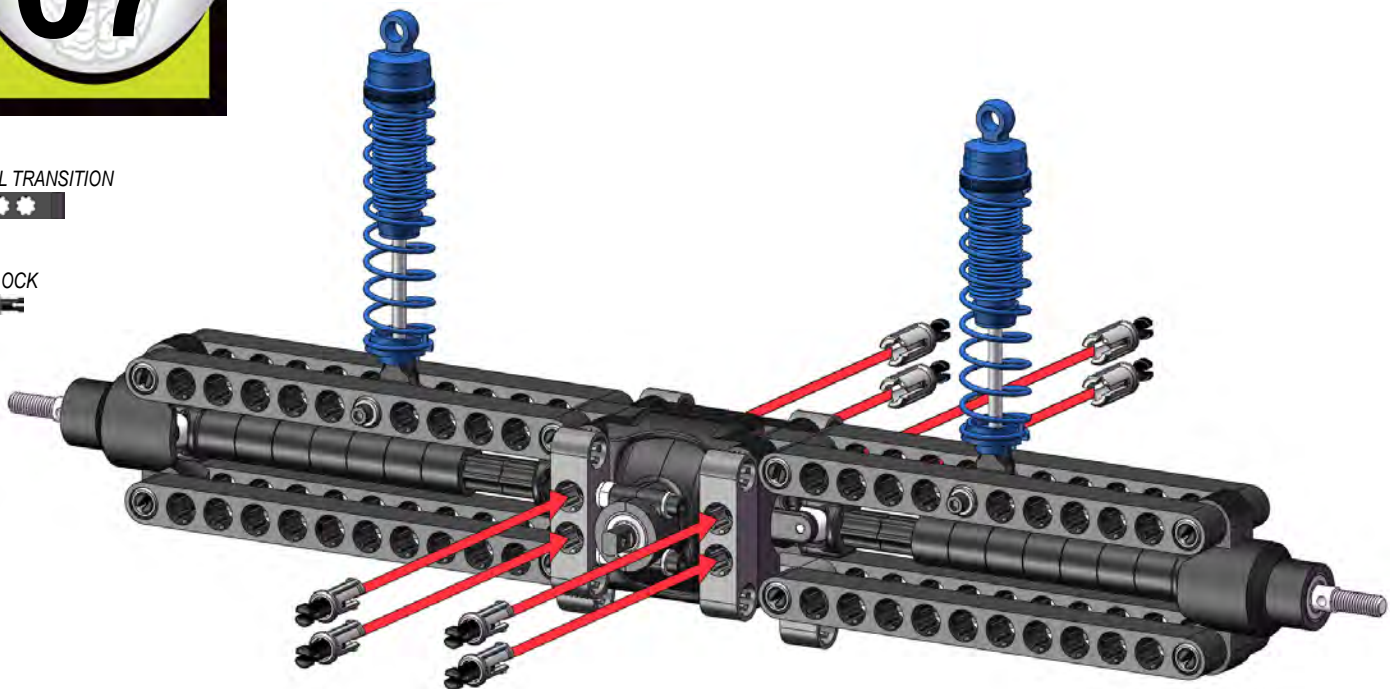
x4
3-ROTATE



x4
DUAL TRANSITION



x8
1.5-LOCK

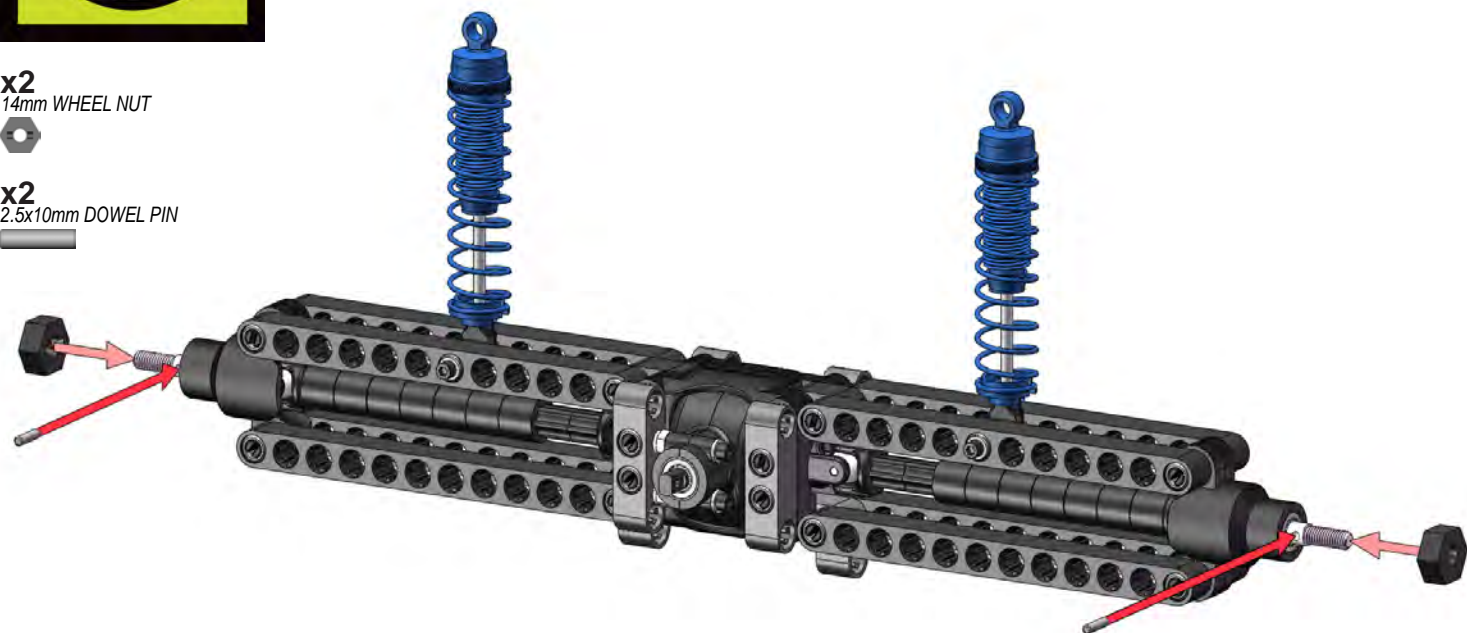




x2
14mm WHEEL NUT



x2
2.5x10mm DOWEL PIN



01

x2
15-BEAM



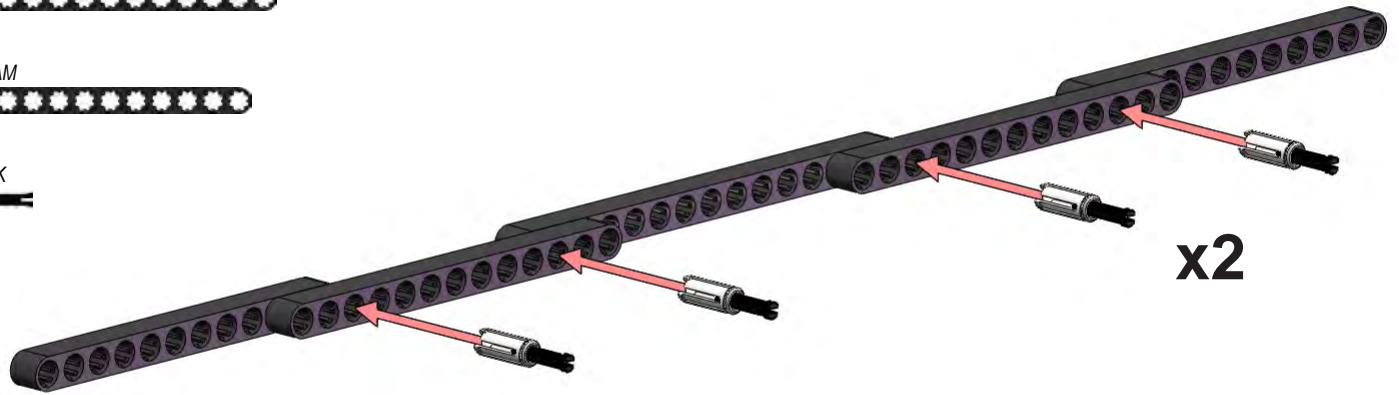
x4
13-BEAM



x4
12-BEAM

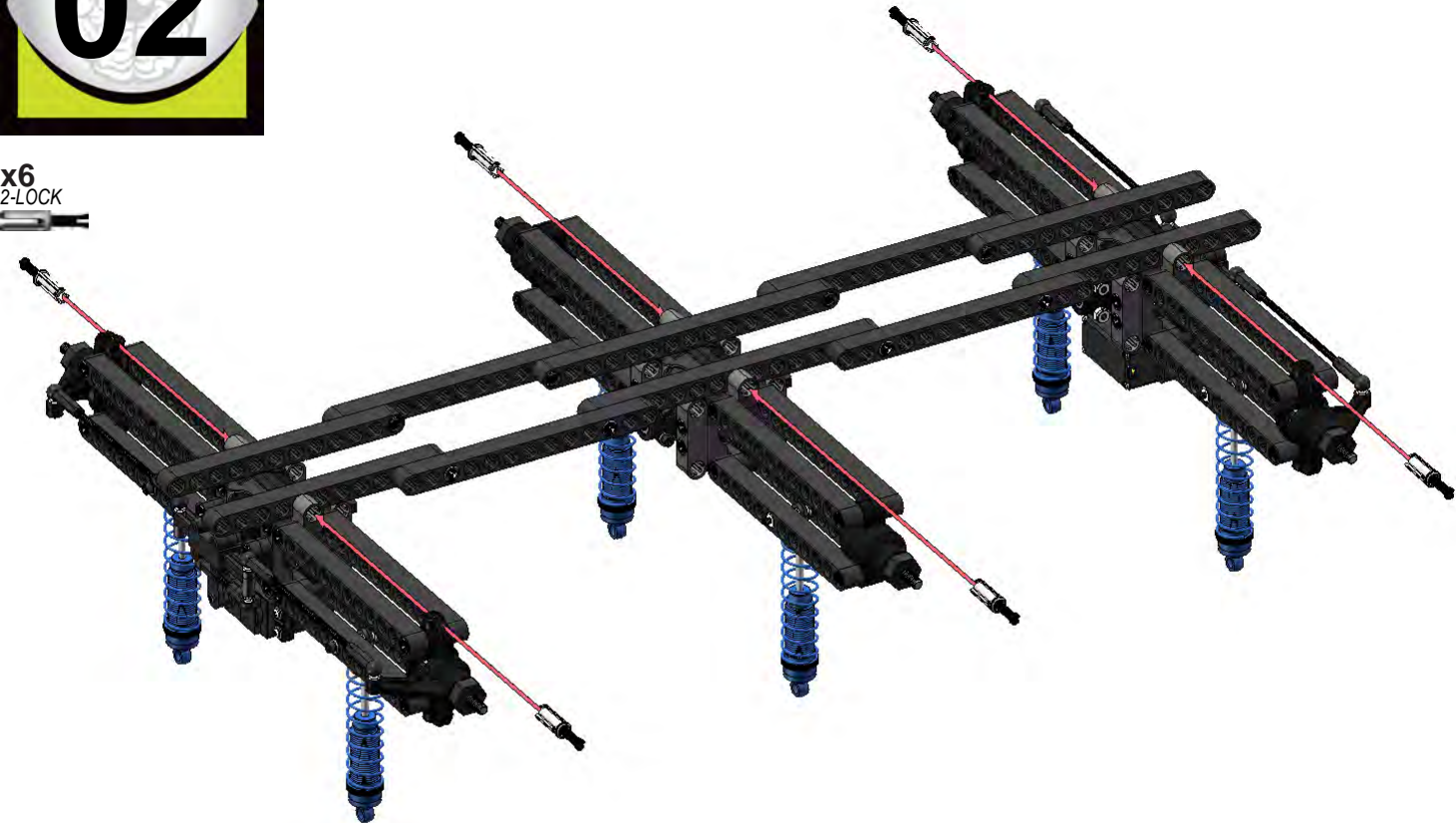


x8
2-LOCK



02

x6
2-LOCK



03

x8
9-BEAM



x8
DUAL TRANSITION



x16
2-LOCK




04

x12
11-BEAM



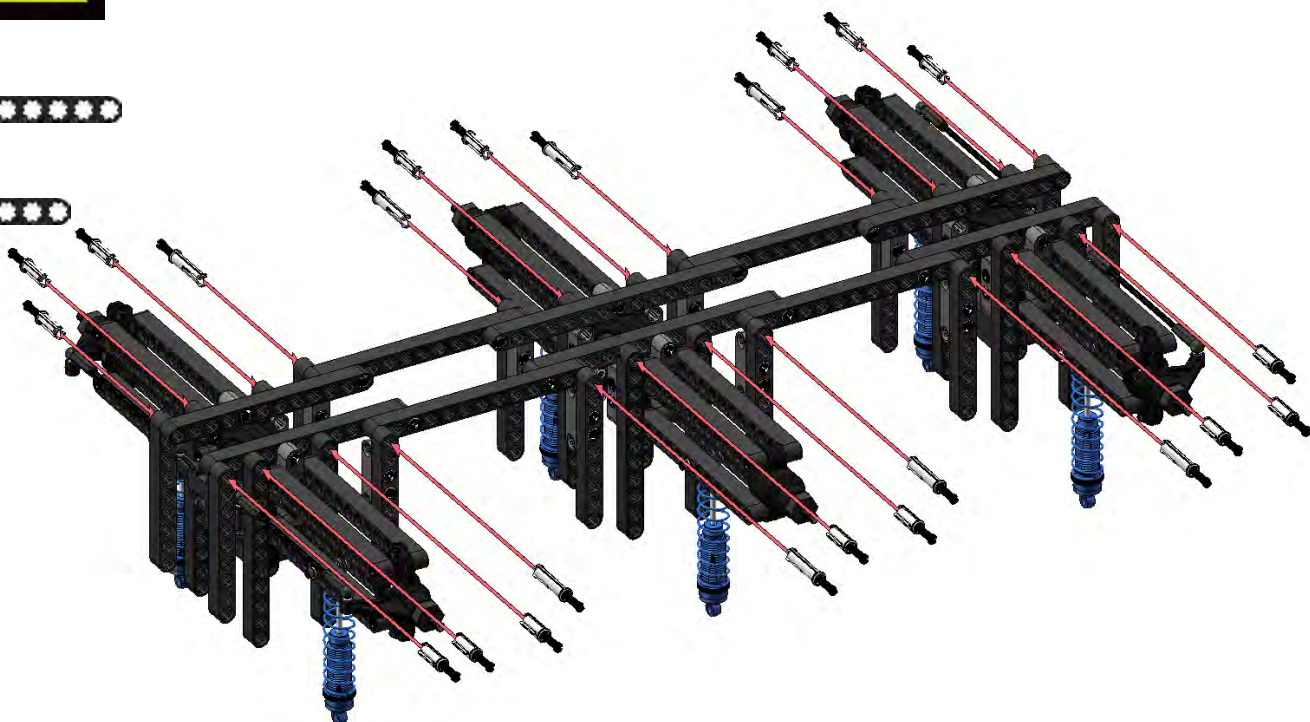
x4
9-BEAM



x8
3-LOCK

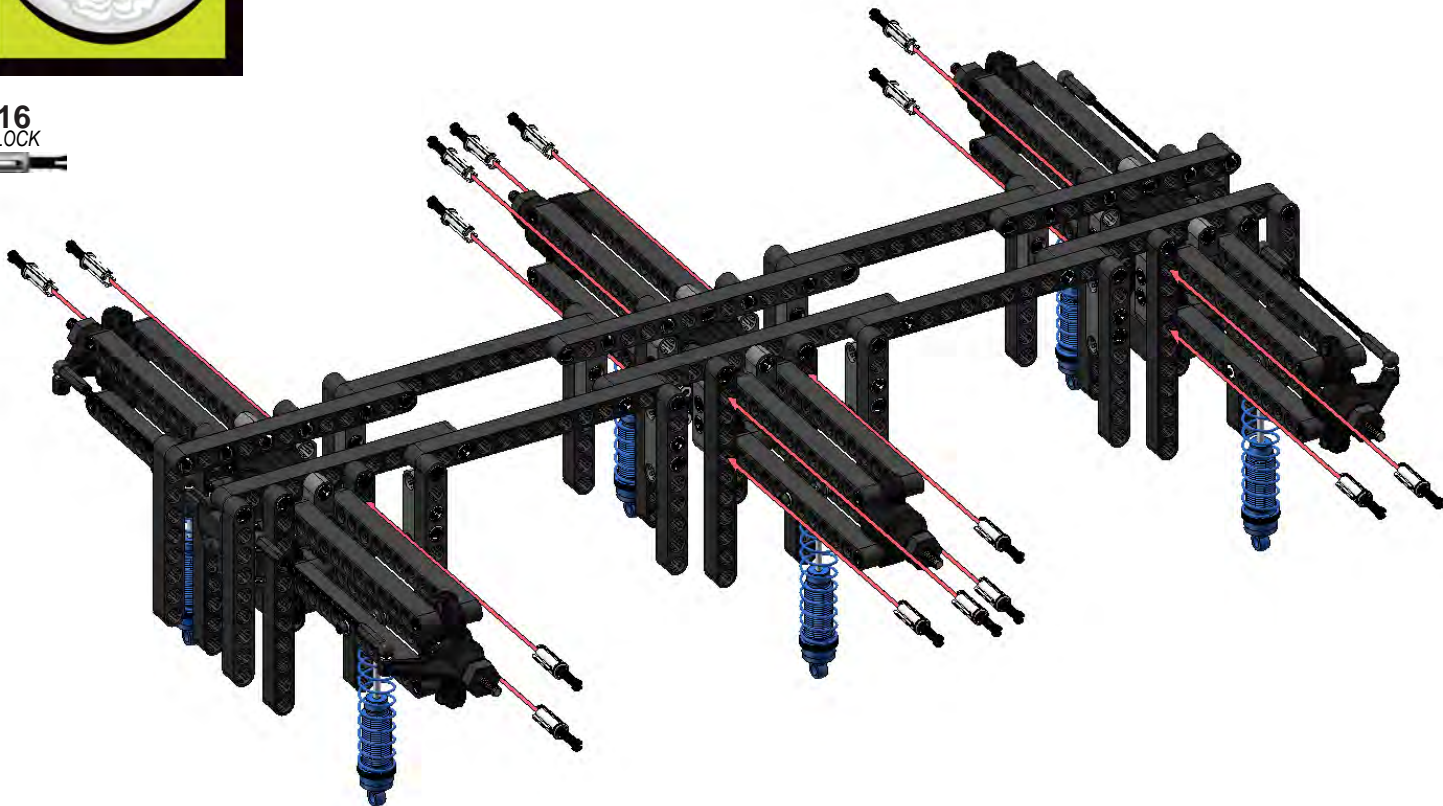


x16
2-LOCK

05

x16
2-LOCK

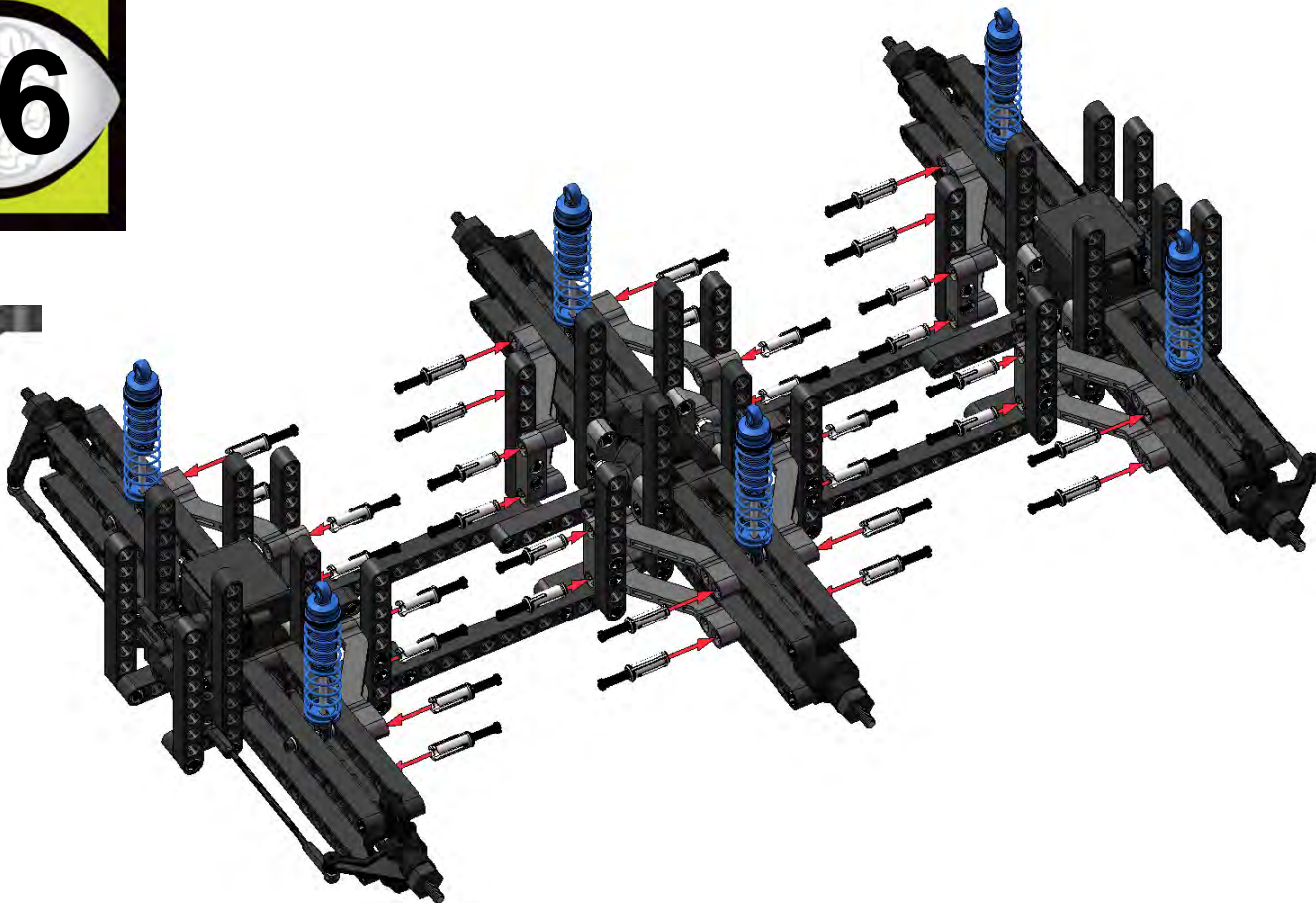


06

x16
SUPPORT ARM

x16
2-LOCK

x16
2-ROTATE

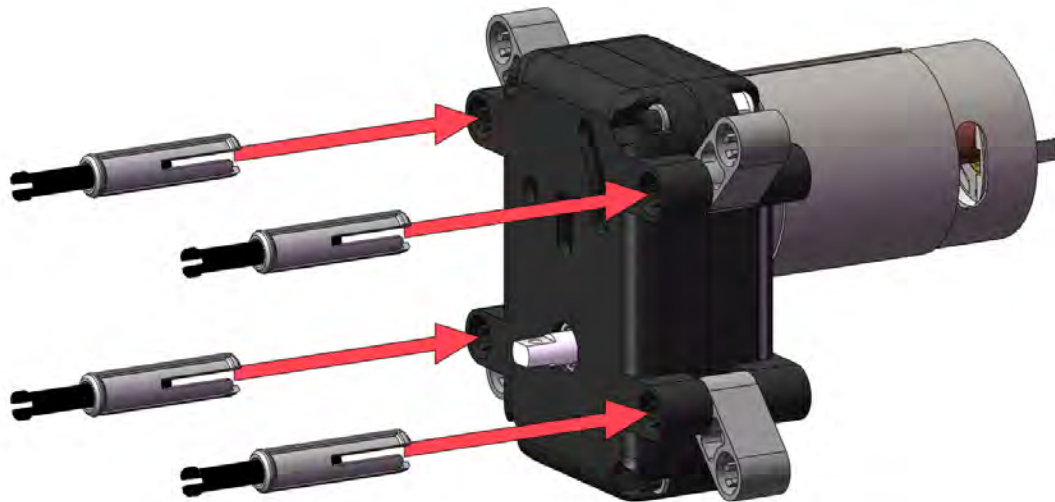


07

x4
2-45 BEAM



x4
3-LOCK

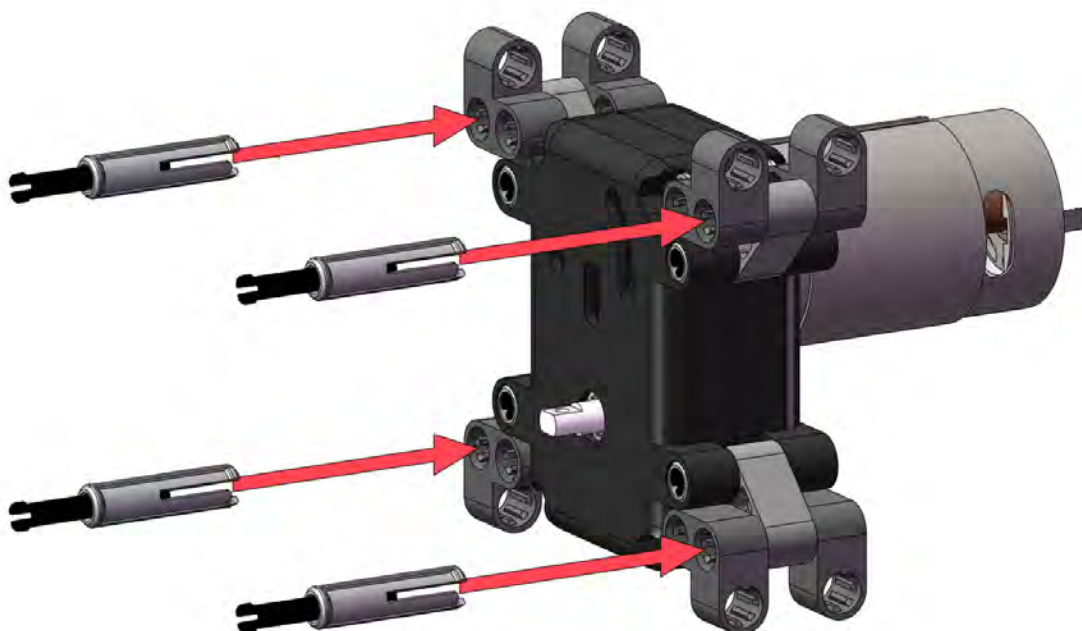


08

x8
TRANSITION

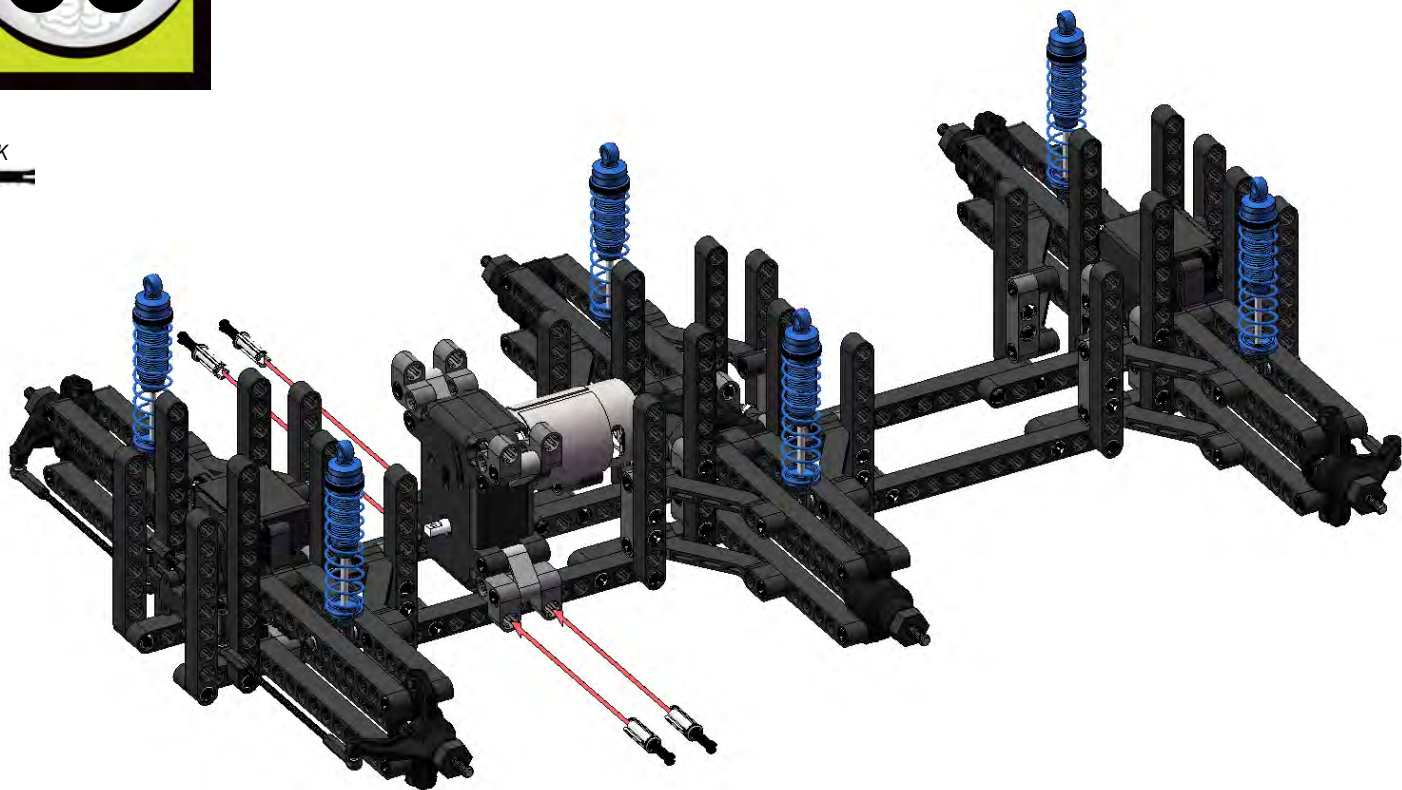


x4
3-LOCK



09

x4
2-LOCK



10

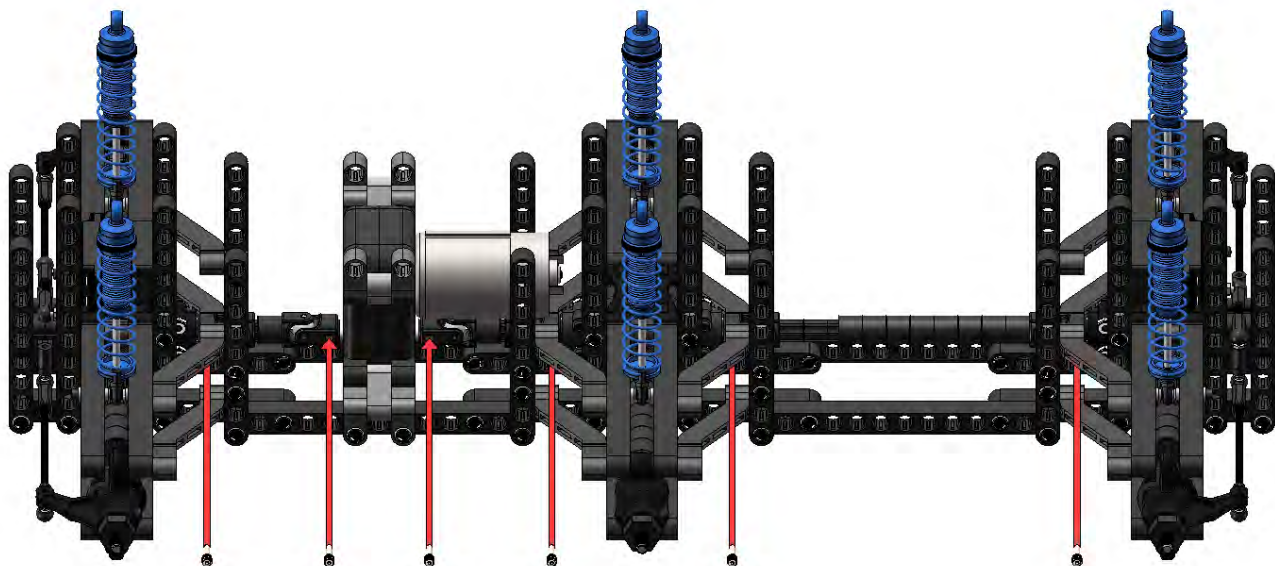
x1
8-DRIVELINE



x2
1-DRIVELINE



x6
U-JOINT SET SCREW



11

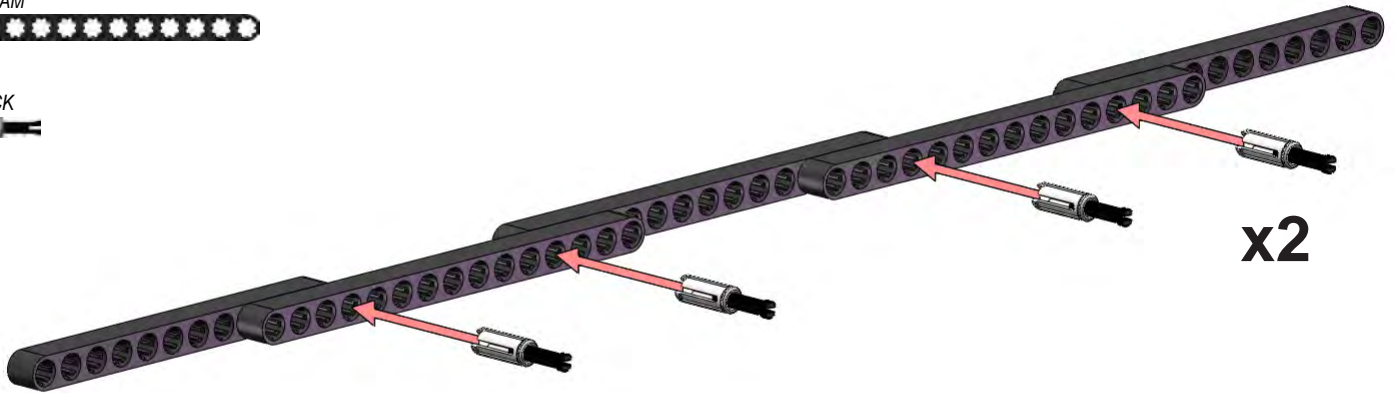
x6
15-BEAM



x4
12-BEAM



x8
2-LOCK



x2

12

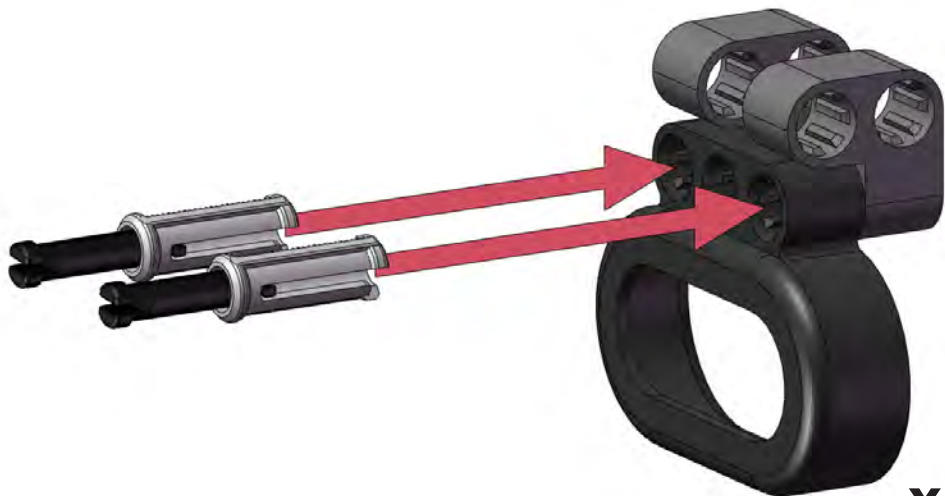
x2
BATTERY CAP



x4
TRANSITION



x4
2-LOCK



x2



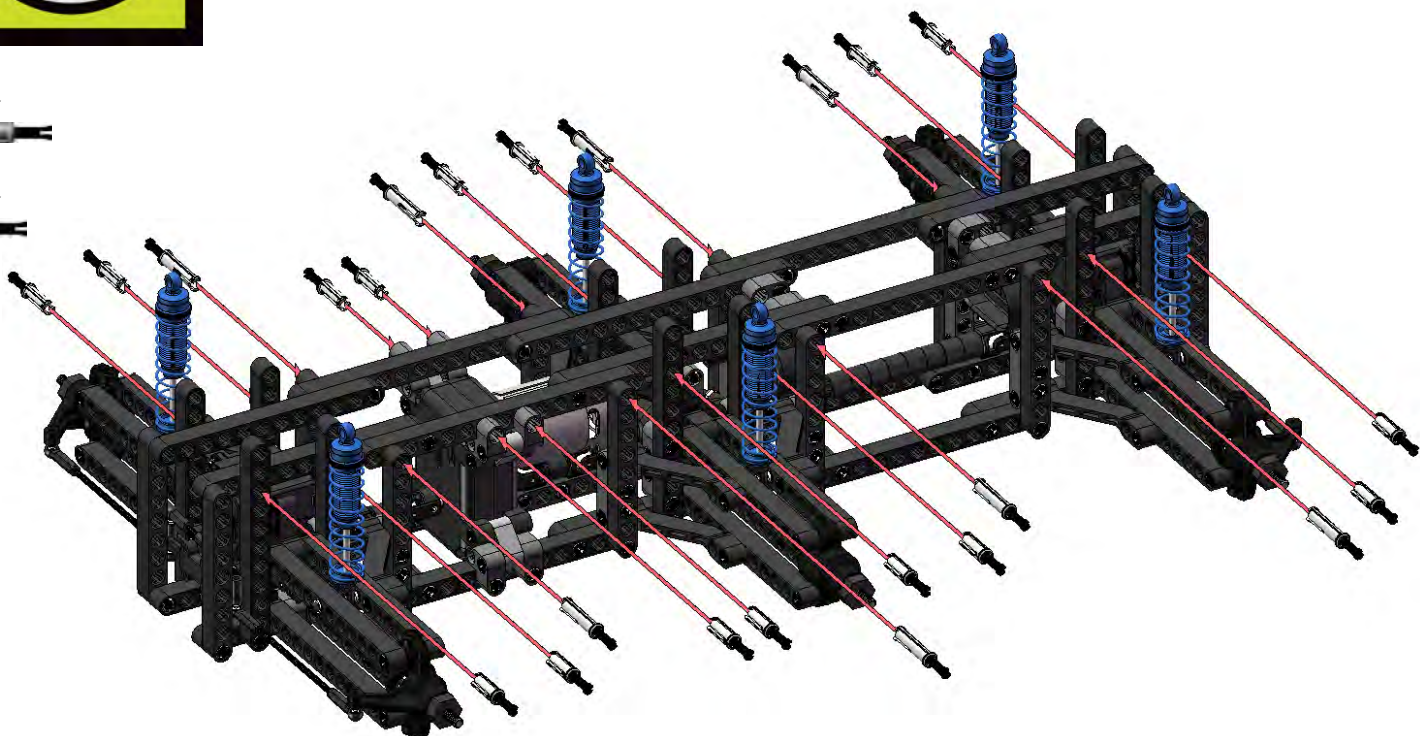
x4
3-LOCK



x8
3-LOCK



x16
2-LOCK



15

x12
3-45 BEAM



x12
3-LOCK

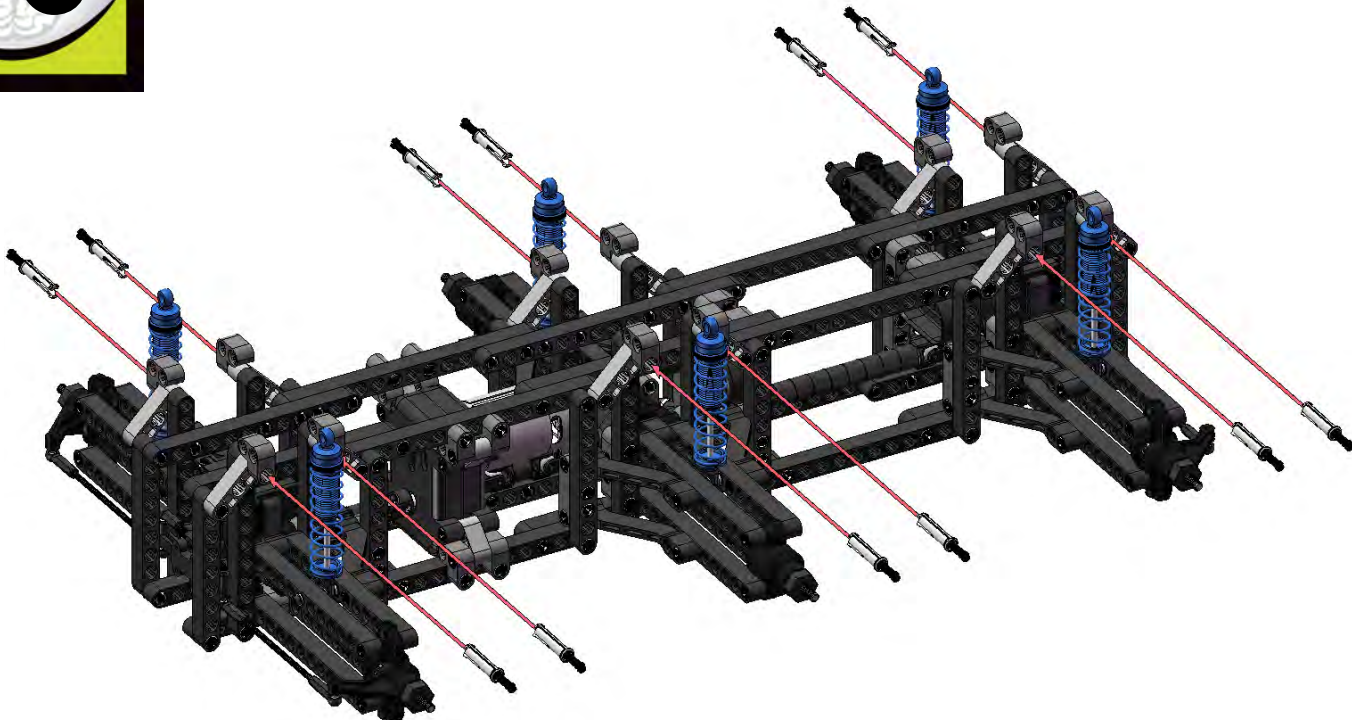


16

x12
TRANSITION



x12
3-LOCK



17

x6
13-BEAM



x6
#4-40 x 1-3/8" SCREW



x6
#4 WASHER



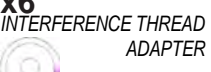
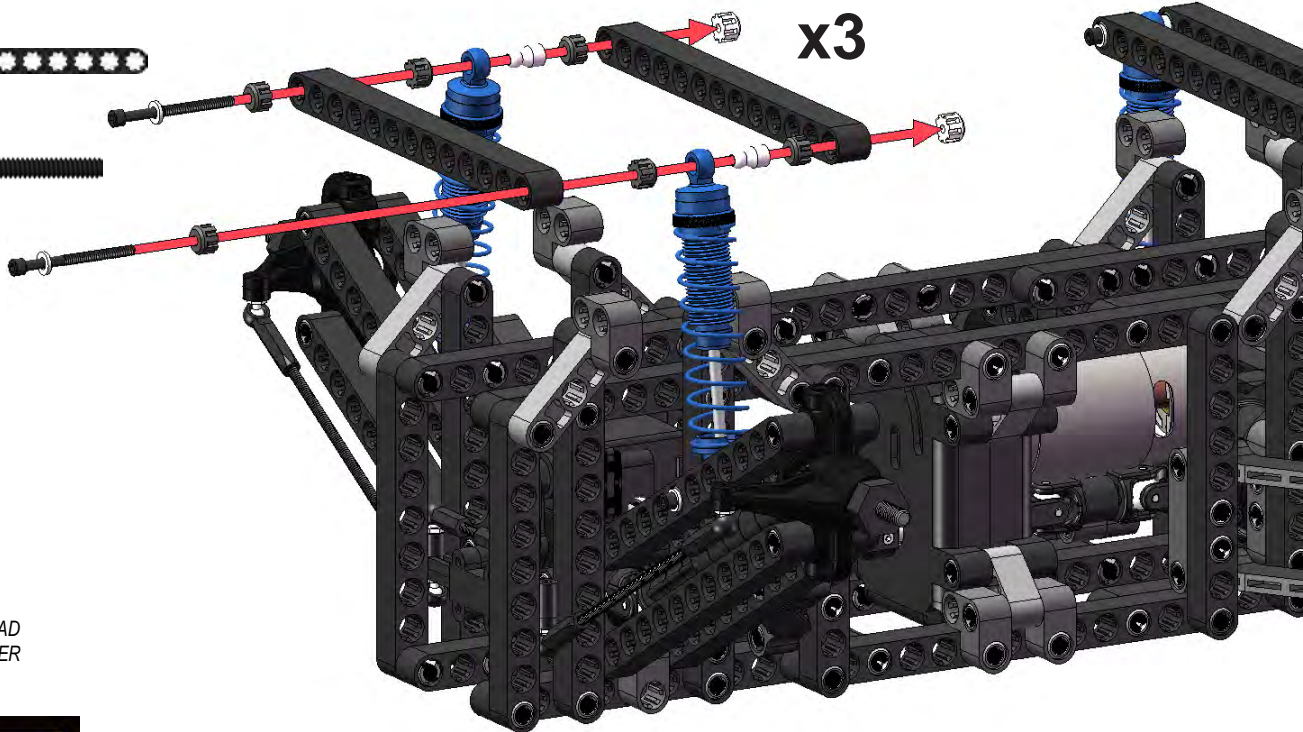
x6
SHOCK MOUNT



x18
CLEARANCE THREAD
ADAPTER



x6
INTERFERENCE THREAD
ADAPTER

18

x12
2-LOCK




x6
BADLANDS 3.8" TIRE & DESPERADO WHEEL



x6
M5 WASHER



x6
M5 NUT

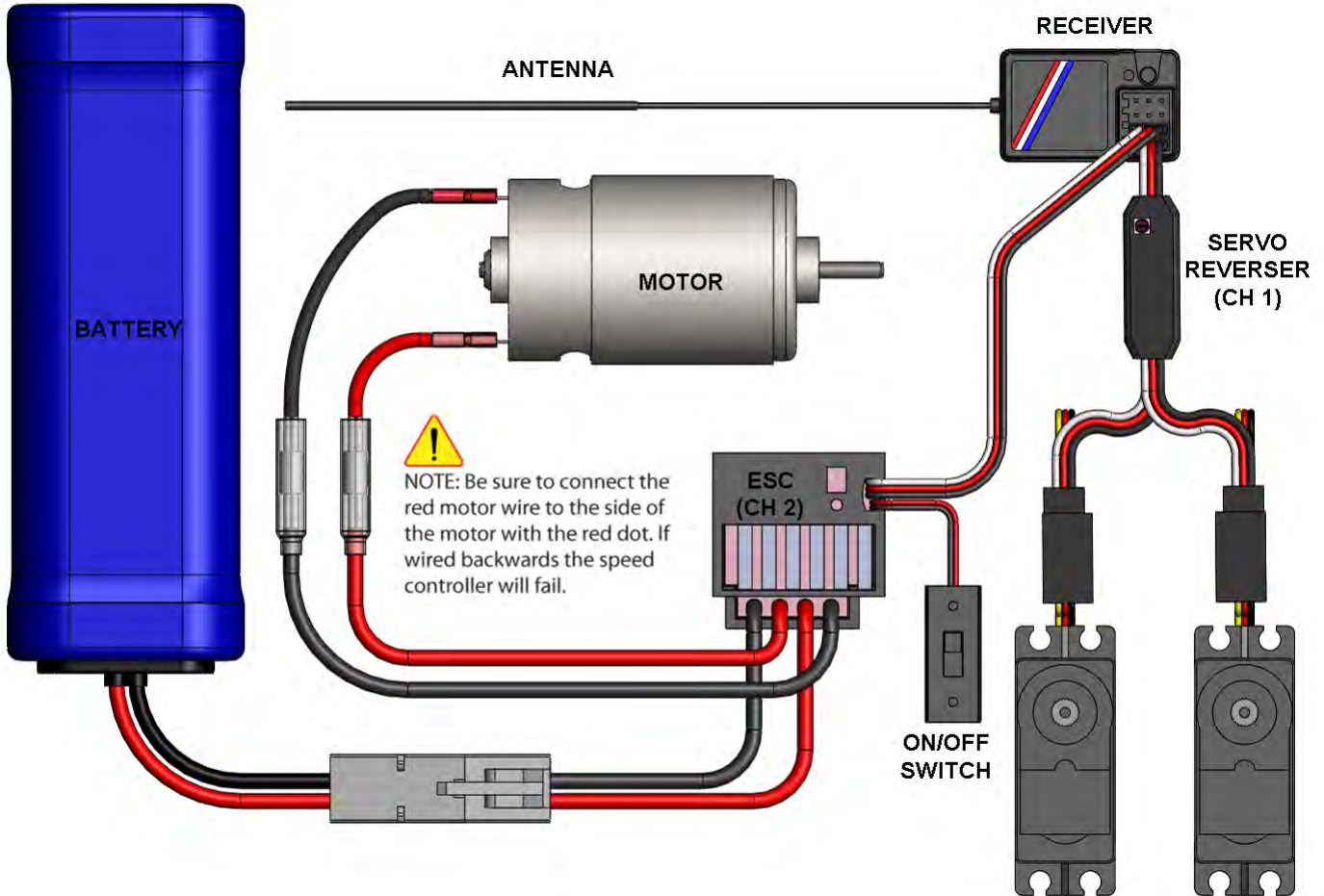




REFER TO RADIO TRANSMITTER MANUAL AND FOLLOWING DIAGRAMS FOR PROPER INSTALLATION AND SET-UP.

USING THE WIRE TIES AND DOUBLE-SIDED TAPE PROVIDED, PLACE THE ELECTRONIC COMPONENTS ON THE FRAME SO THAT THEY ARE SECURE AND OUT OF THE WAY OF MOVING PARTS.

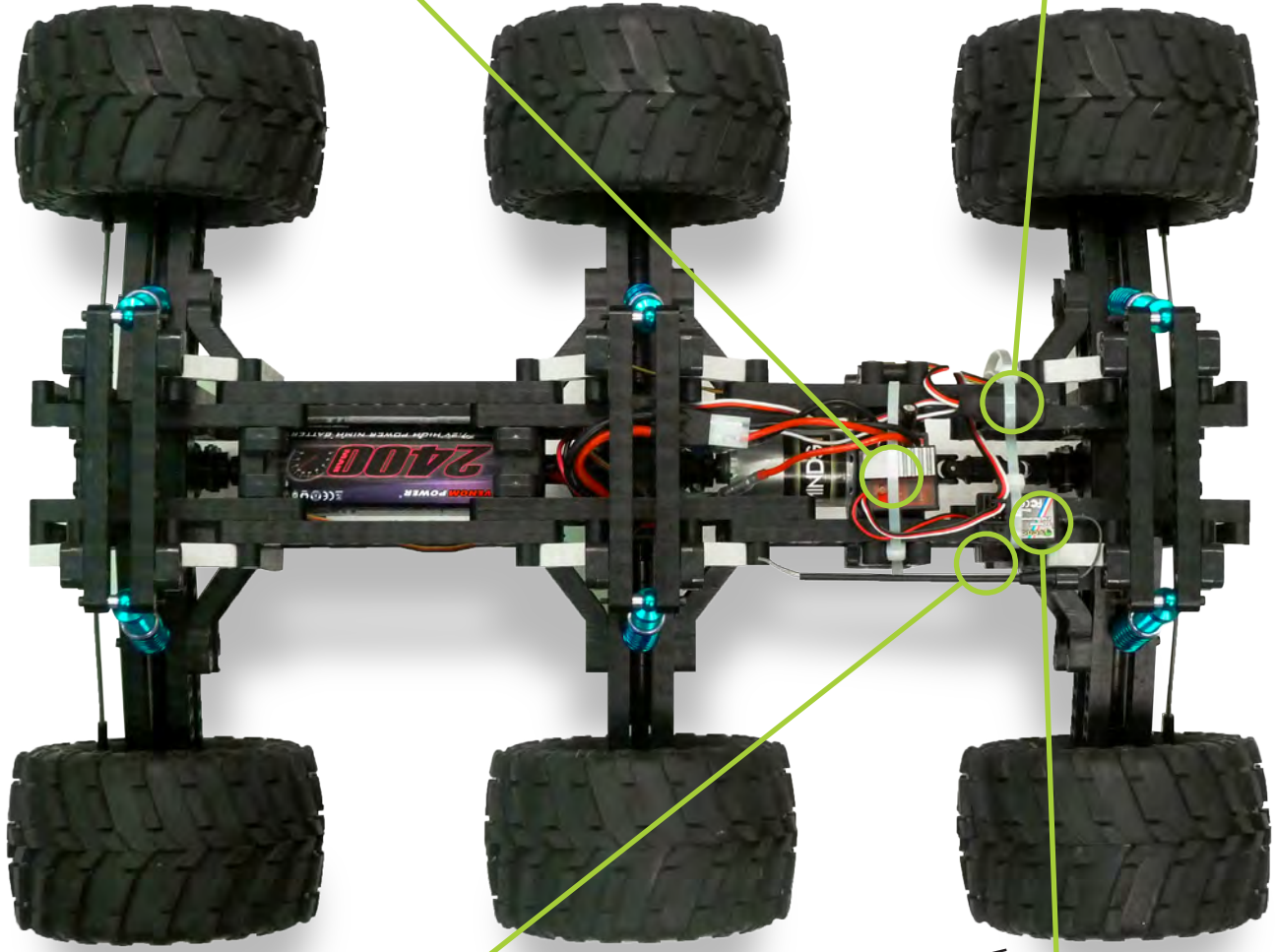
BATTERY mAh _____ ÷ CHARGER mA _____ = ESTIMATED CHARGE TIME (IN HOURS)



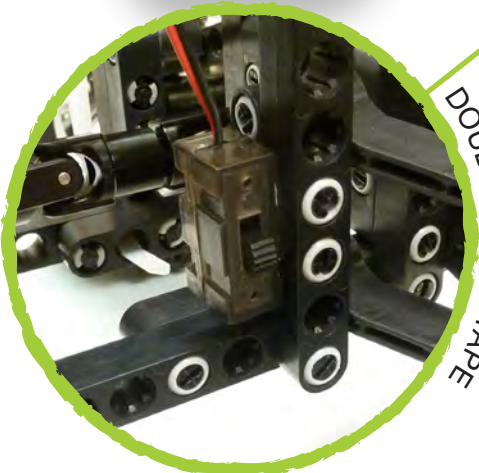
WIRE TIE



WIRE TIE



DOUBLE-SIDED TAPE



WIRE TIE & DOUBLE-SIDED TAPE

