



MINDS-i

000-0000-000

Compass Fixture

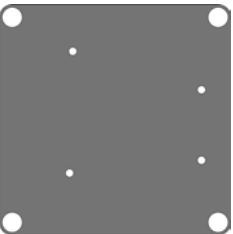


Helpful instructional videos available at: mindsirobotics.com

Compass Fixture



x1
ARDUINO BASE PLATE



x2
15-BEAM



x2
9-BEAM



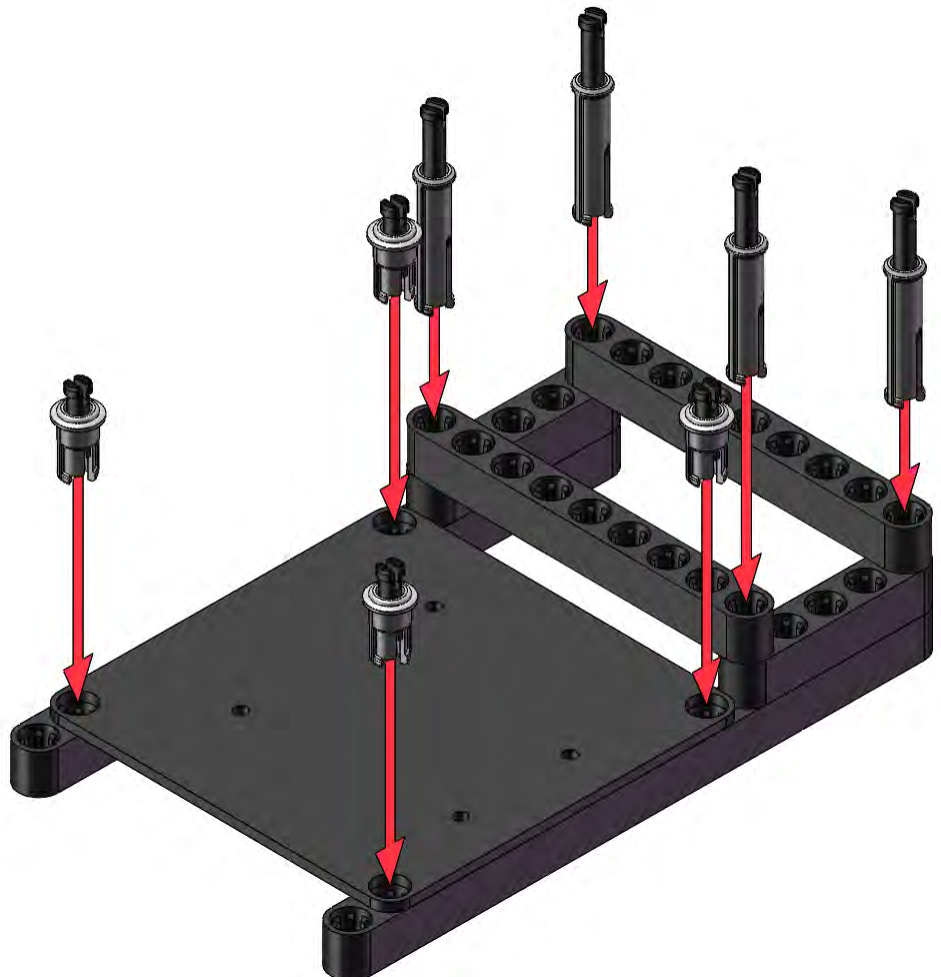
x2
5-BEAM



x4
3-LOCK



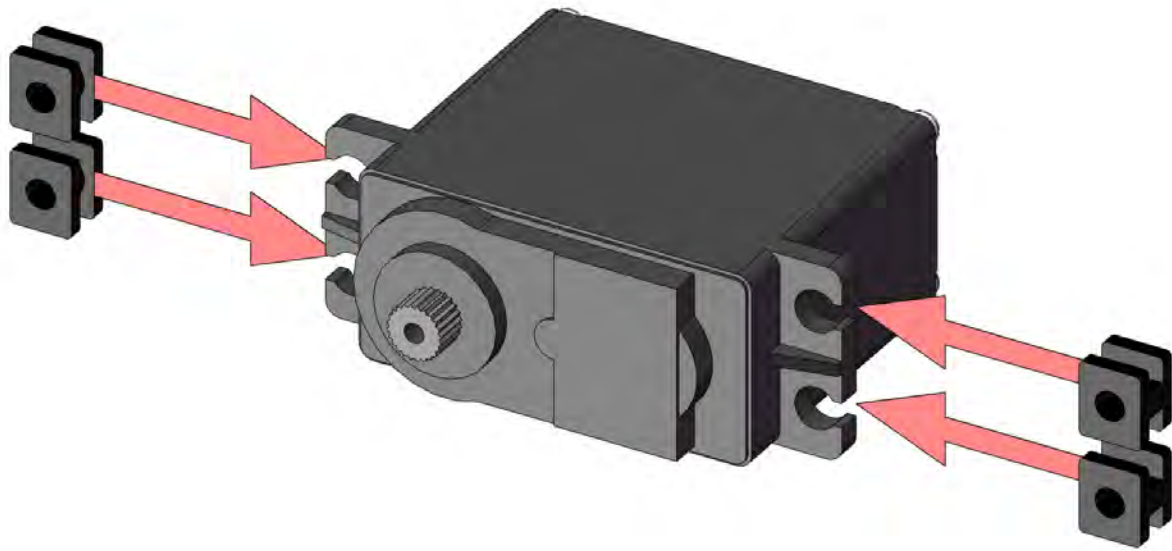
x4
PANEL-LOCK





x1
HS-311 SERVO

x4
SERVO BUSHING



x2
SERVO PLATE



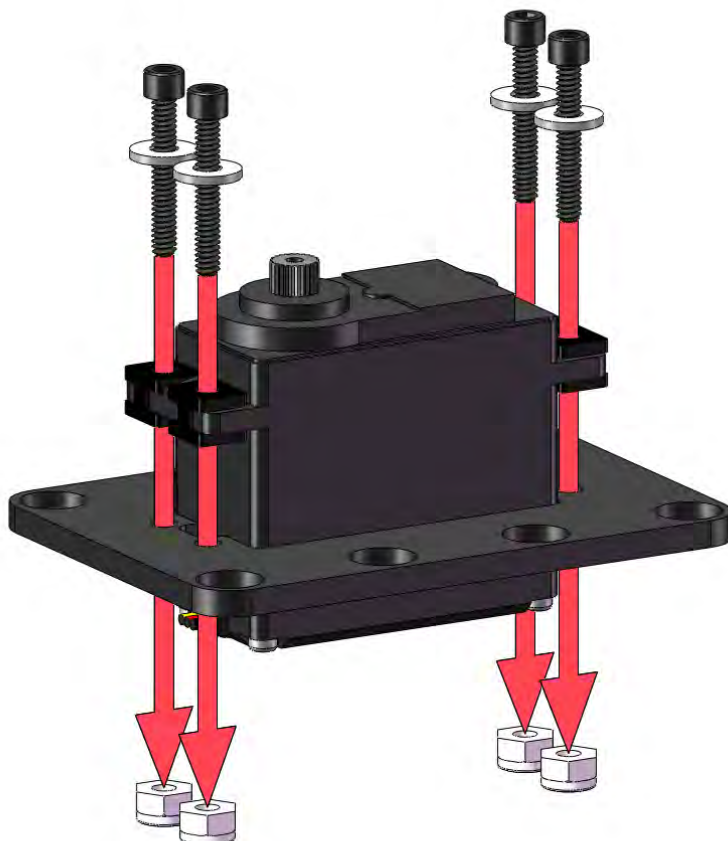
x4
#4-40 x 3/4" SCREW



x4
#4 WASHER

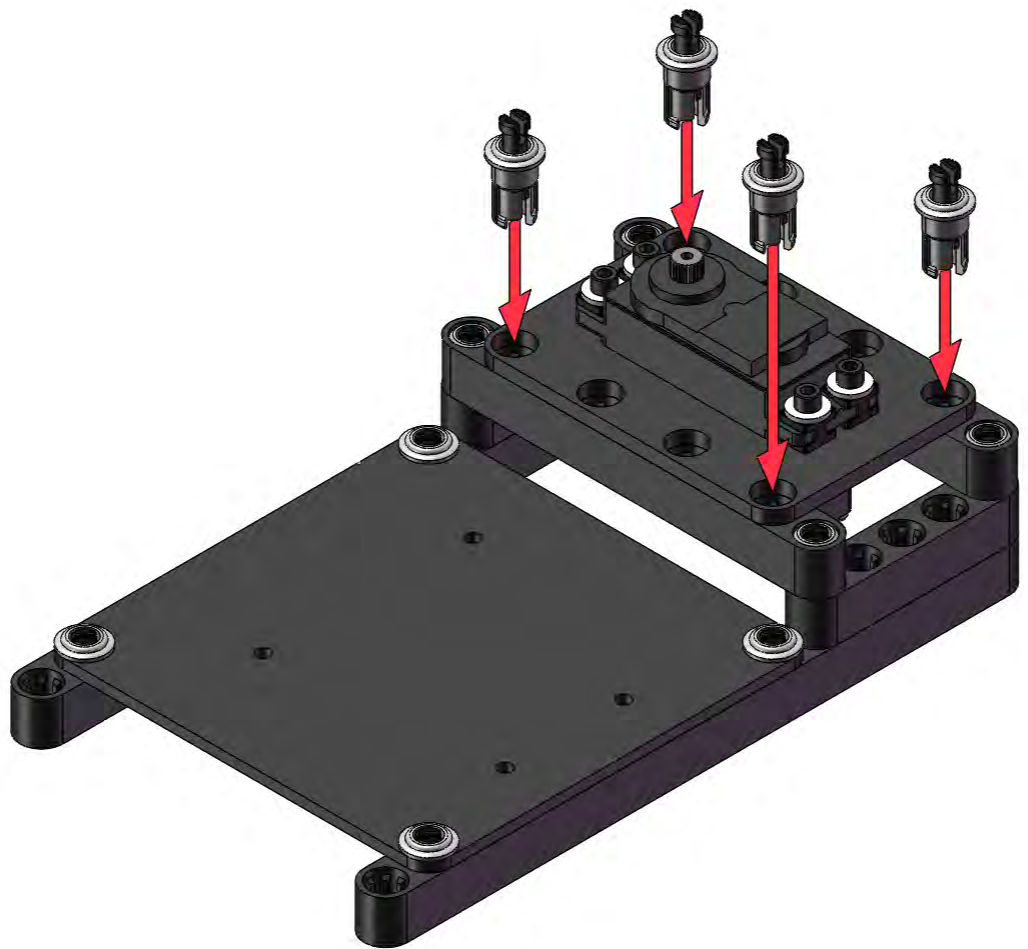


x4
#4-40 NUT





x4
PANEL-LOCK



x1
TURNABLE PLATE



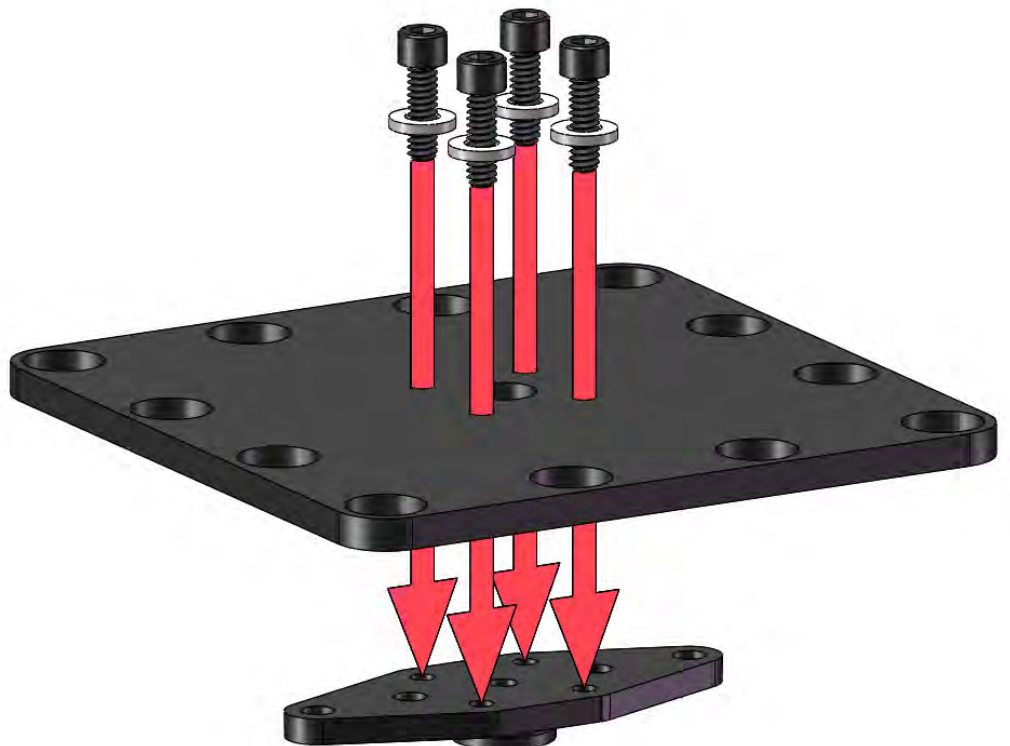
x1
ROBOT SERVO HORN



x4
#4-40 x 3/8" SCREW

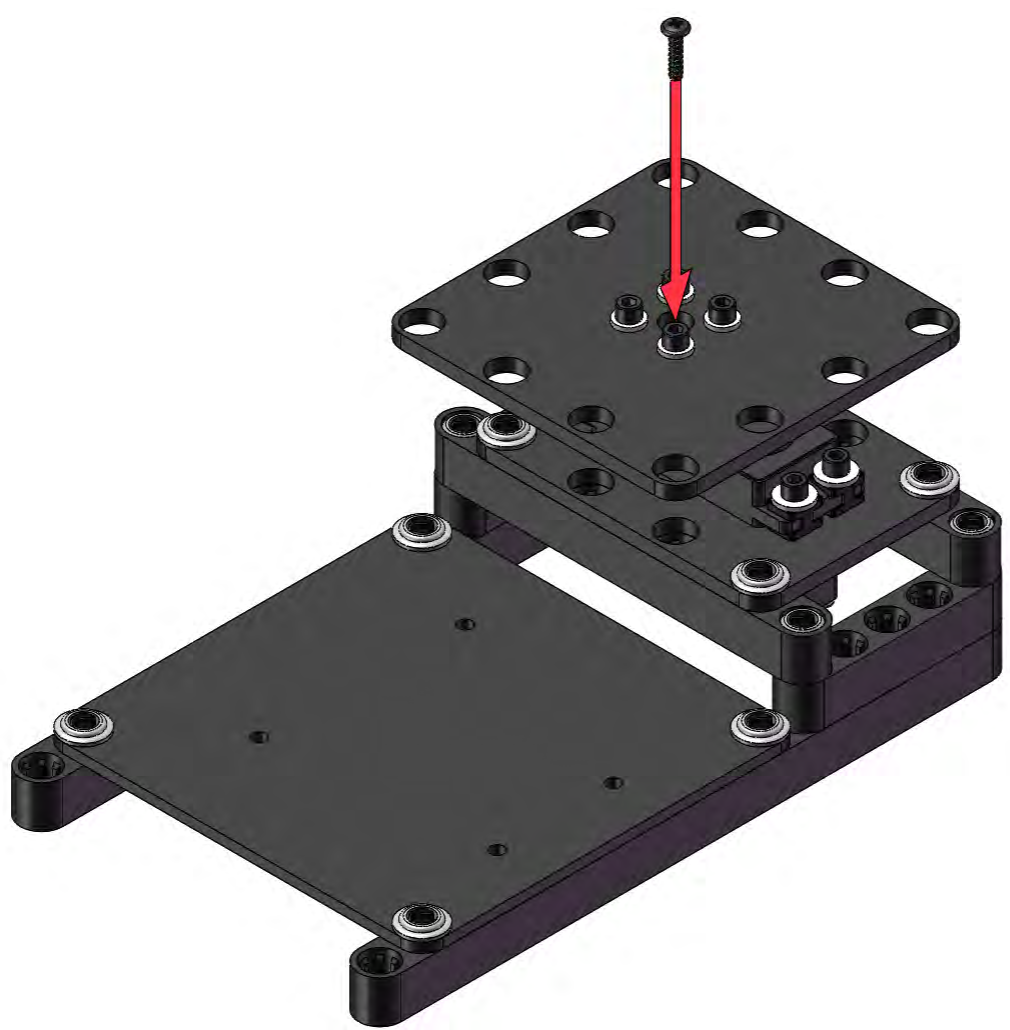


x4
#4 WASHER





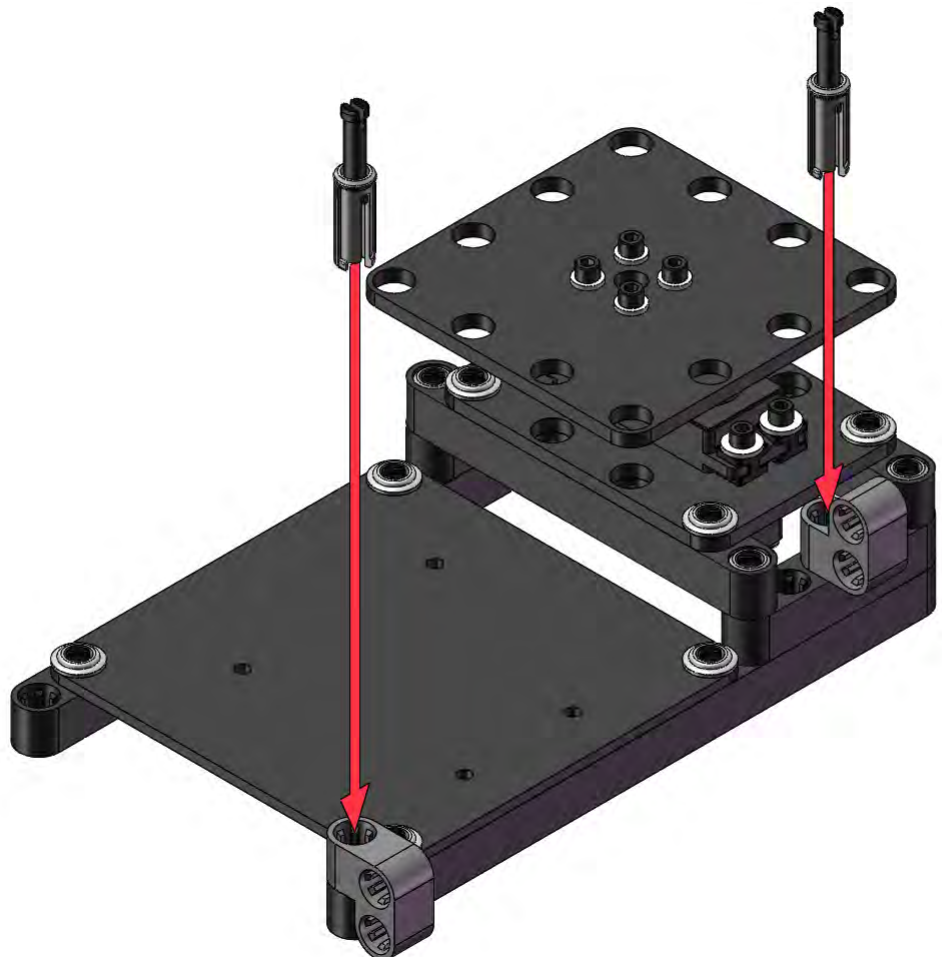
x1
SERVO HORN SCREW



x2
TRANSITION



x2
2-LOCK

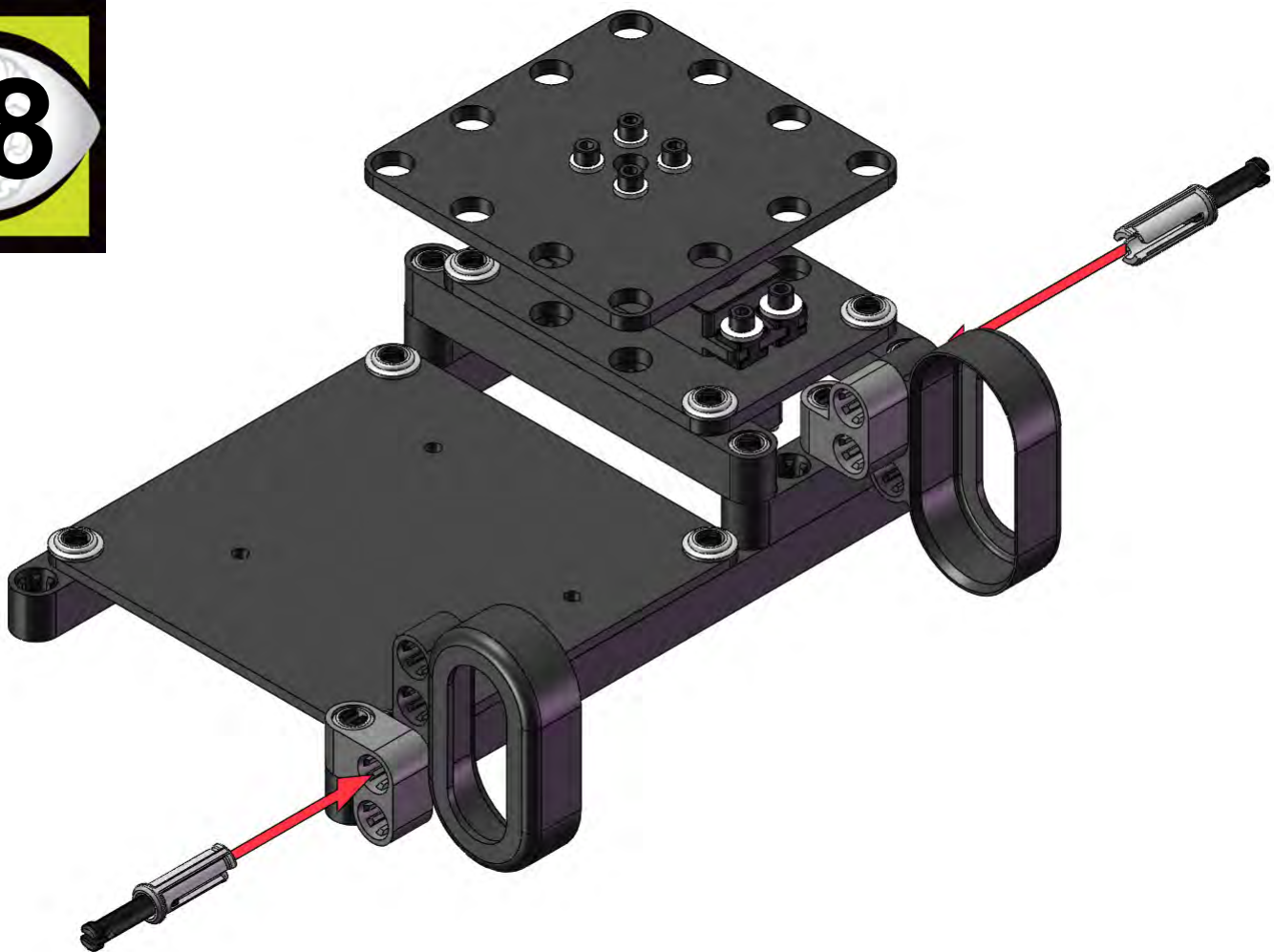


08

x2
BATTERY CAP



x2
2-LOCK



09

x1
7.2v 3000 mAh BATTERY



x1
APM BOARD



x1
GPS





REFER TO RADIO TRANSMITTER MANUAL AND FOLLOWING DIAGRAMS FOR PROPER INSTALLATION AND SET-UP.

USING THE WIRE TIES AND DOUBLE-SIDED TAPE PROVIDED, PLACE THE ELECTRONIC COMPONENTS ON THE FRAME SO THAT THEY ARE SECURE AND OUT OF THE WAY OF MOVING PARTS.

