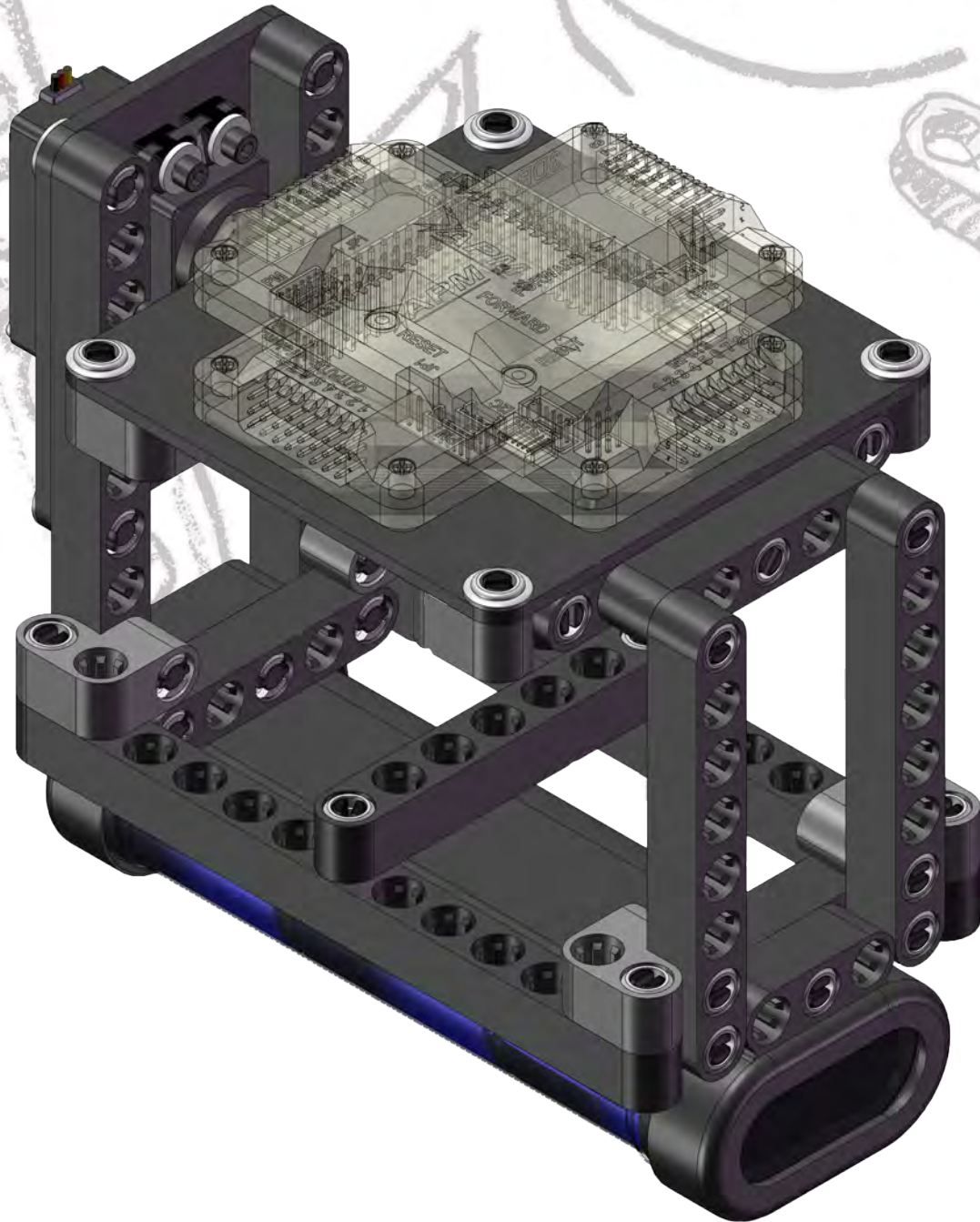




**MINDS-i**

000-0000-000

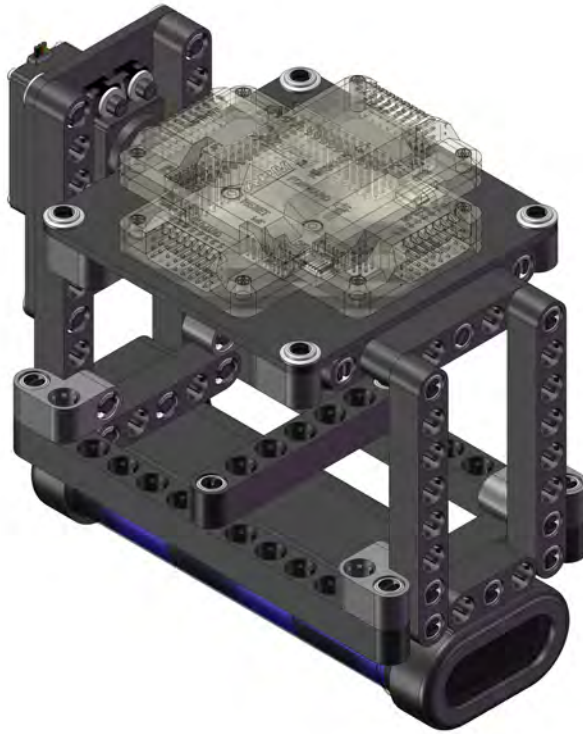
# Gimbal



Helpful instructional videos available at: [mindsirobotics.com](http://mindsirobotics.com)



# Gimbal



x1  
BATTERY CAP



x2  
8-BEAM



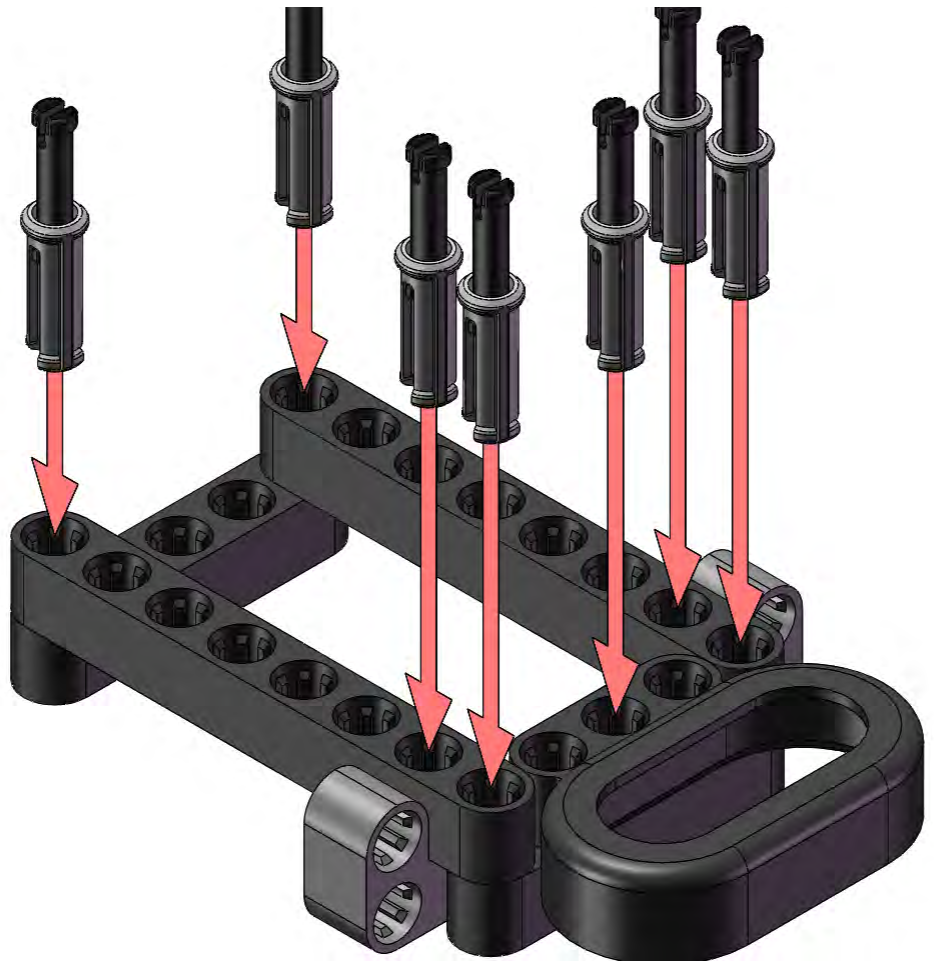
x2  
5-BEAM



x2  
TRANSITION



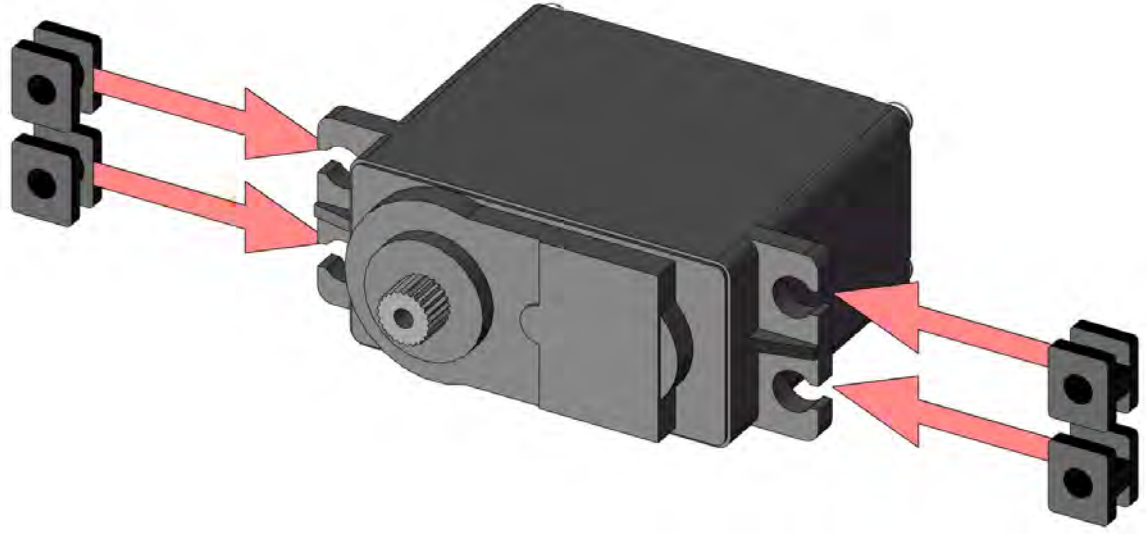
x7  
2-LOCK



# 02

**x1**  
HS-311 SERVO

**x4**  
SERVO BUSHING



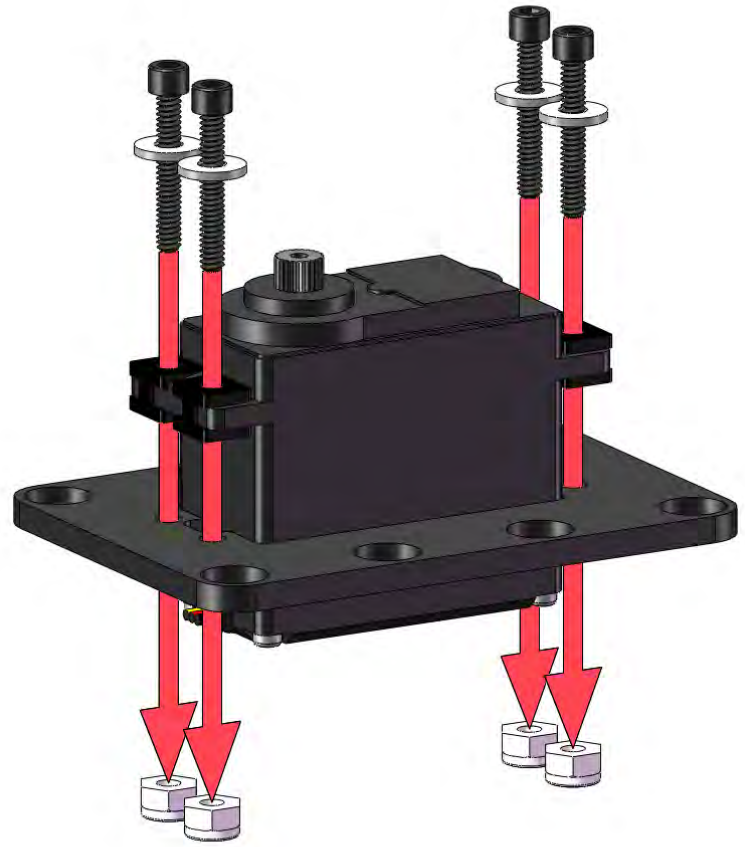
# 03

**x2**  
SERVO PLATE

**x4**  
#4-40 x 3/4" SCREW

**x4**  
#4 WASHER

**x4**  
#4-40 NUT





# 04

x1  
BATTERY CAP



x2  
10-BEAM



x1  
5-BEAM



x2  
TRANSITION

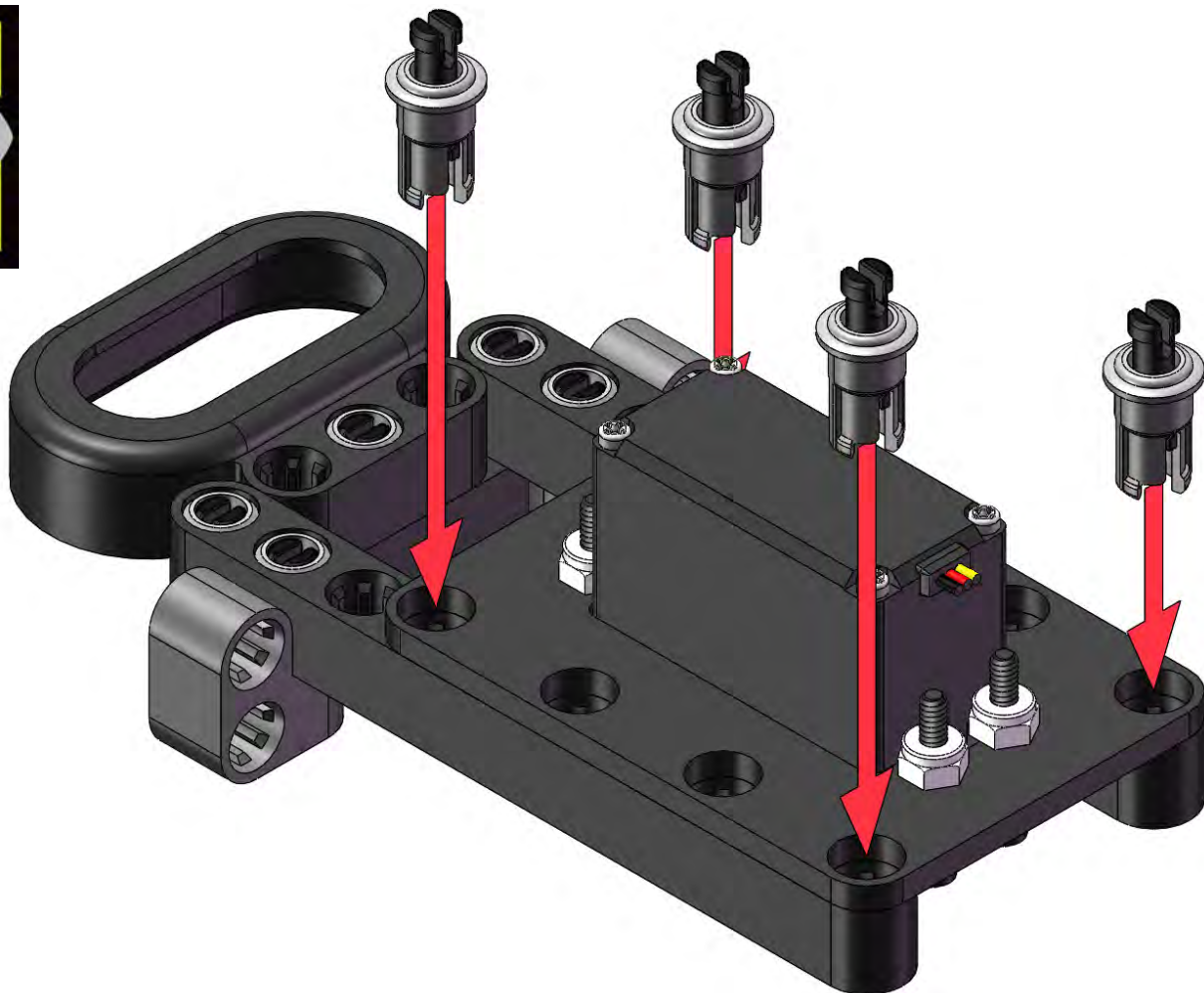


x5  
2-LOCK



# 05

x4  
PANEL-LOCK



# 06

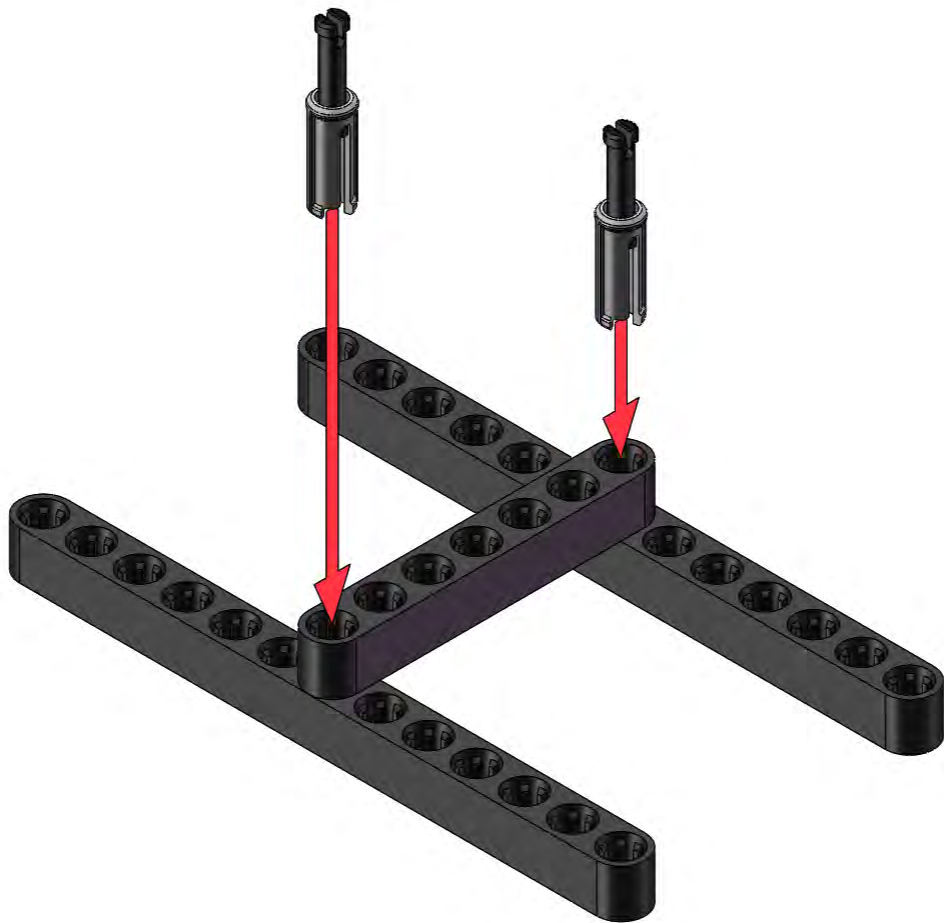
x2  
13-BEAM



x1  
7-BEAM

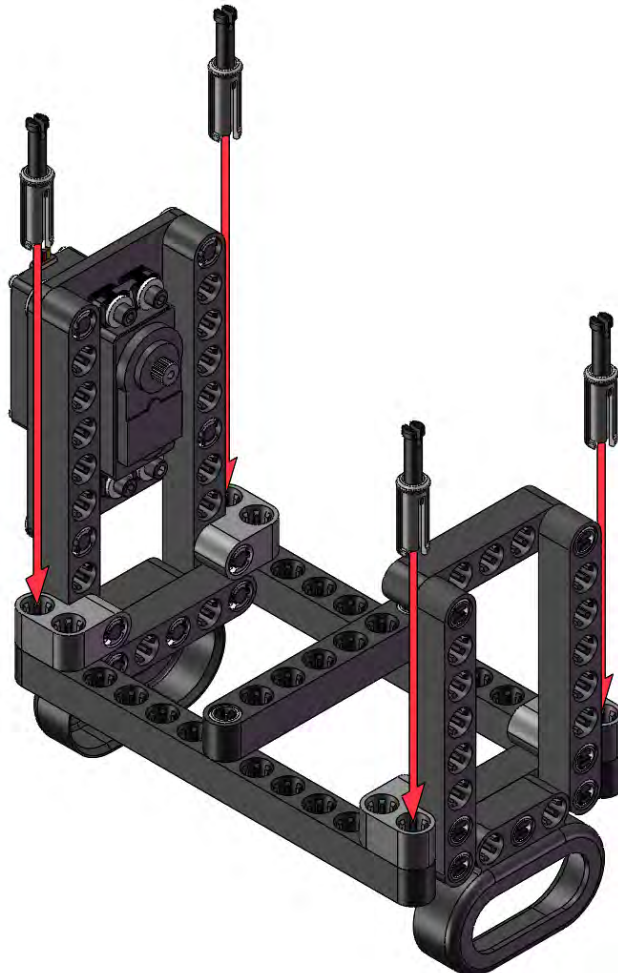


x2  
2-LOCK



# 07

x4  
2-LOCK

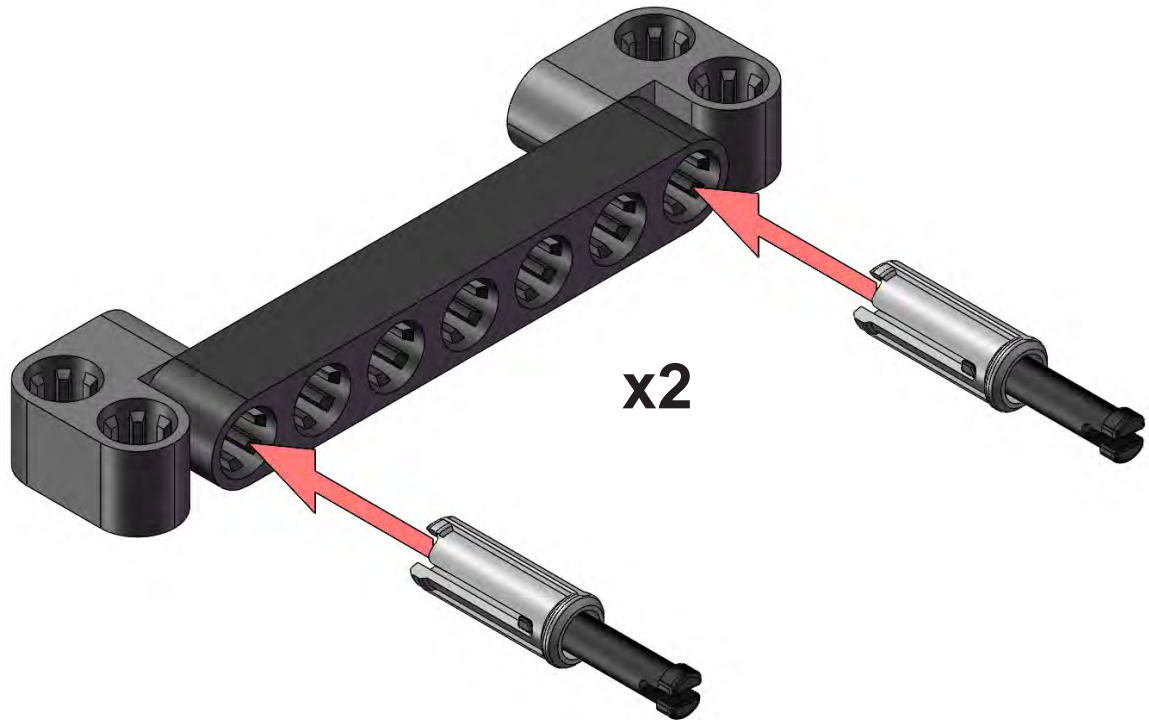


# 08

x1  
7-BEAM

x2  
TRANSITION

x2  
2-LOCK



# 09

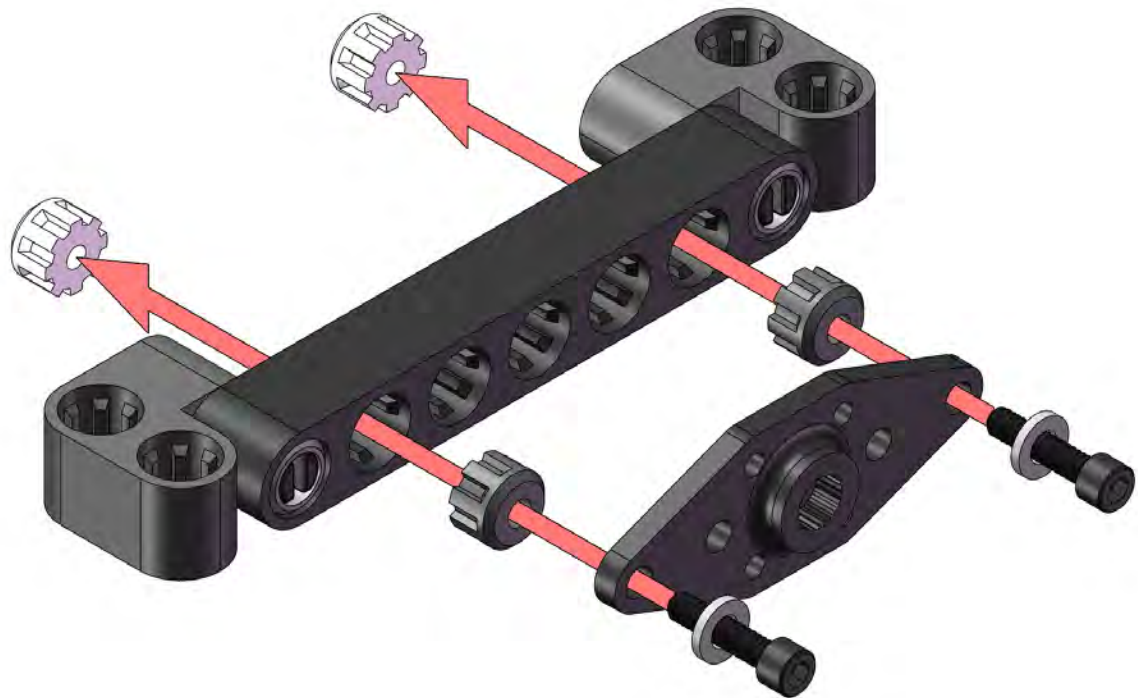
x1  
ROBOT SERVO HORN

x2  
CLEARANCE THREAD ADAPTER

x2  
INTERFERENCE THREAD ADAPTER

x2  
#4-40 x 1/2" SCREW

x2  
#4 WASHER



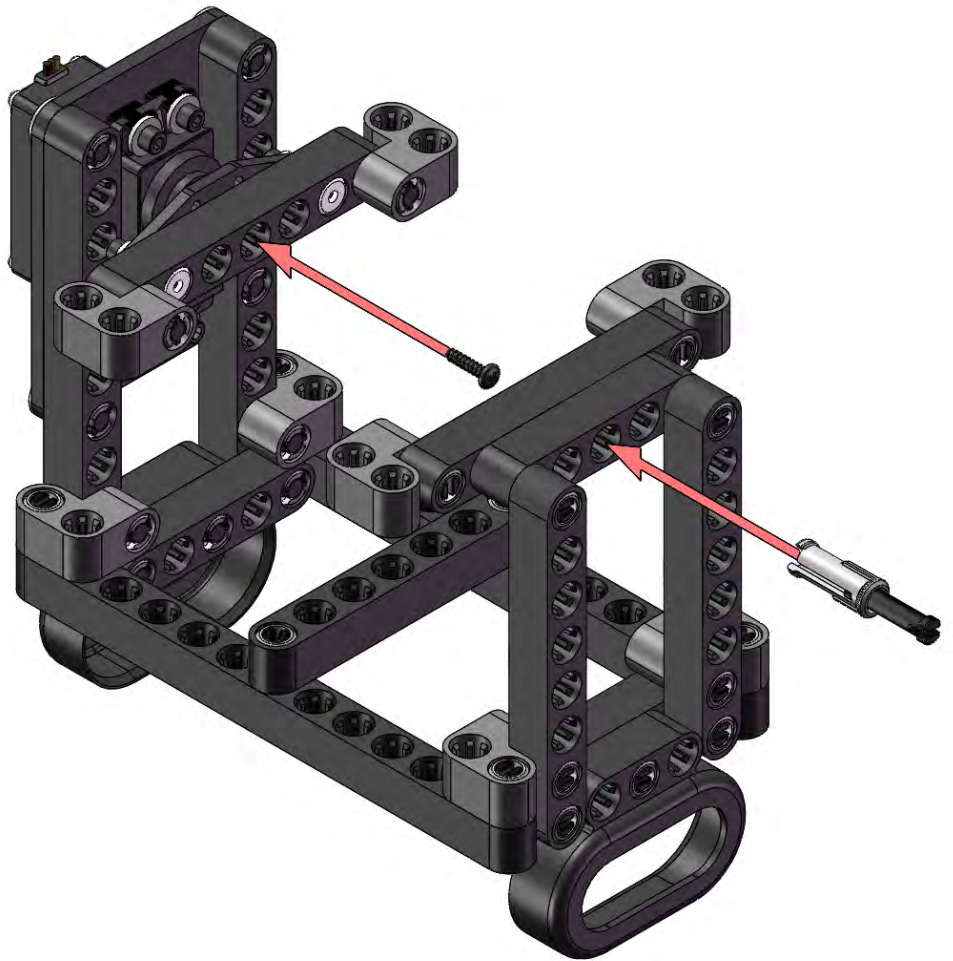




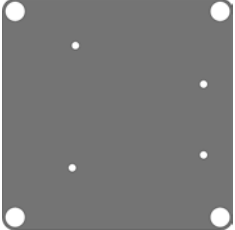
x1  
2-ROTATE



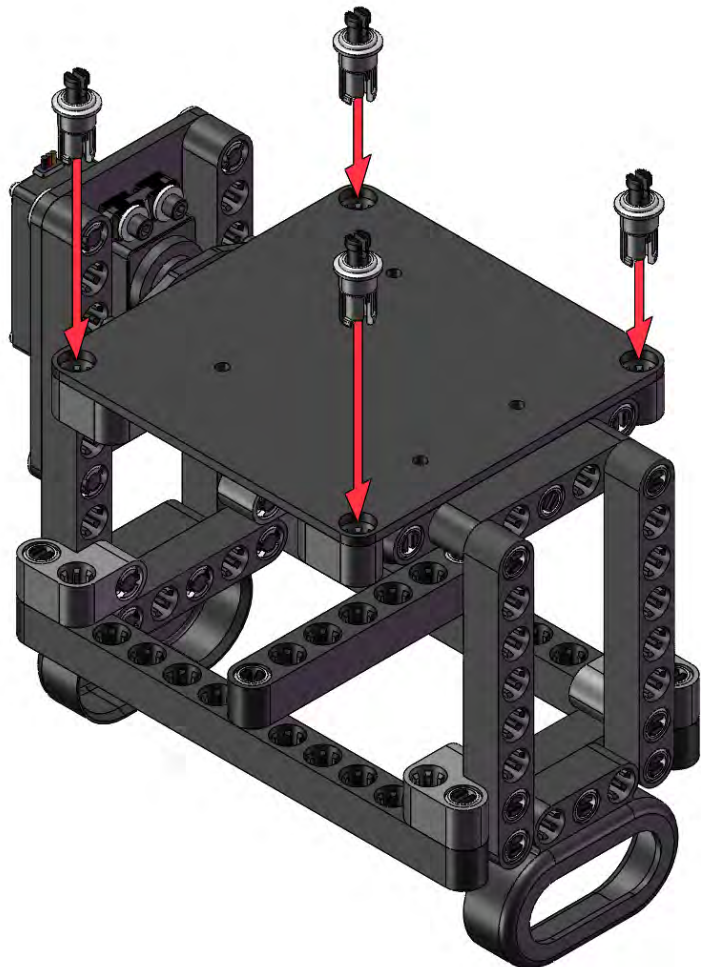
x1  
SERVO HORN SCREW



x1  
ARDUINO BASE PLATE



x4  
PANEL-LOCK







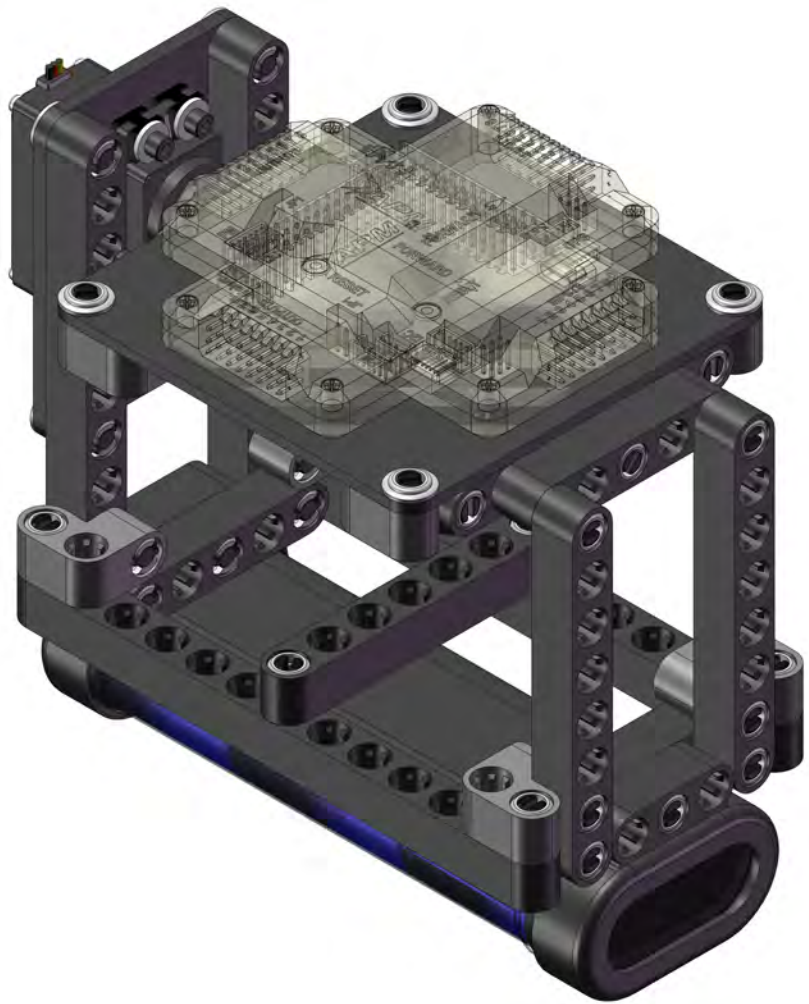
x1  
7.2v 3000 mAh BATTERY



x1  
APM BOARD



x1  
GPS





REFER TO RADIO TRANSMITTER MANUAL AND FOLLOWING DIAGRAMS FOR PROPER INSTALLATION AND SET-UP.

USING THE WIRE TIES AND DOUBLE-SIDED TAPE PROVIDED, PLACE THE ELECTRONIC COMPONENTS ON THE FRAME SO THAT THEY ARE SECURE AND OUT OF THE WAY OF MOVING PARTS.

