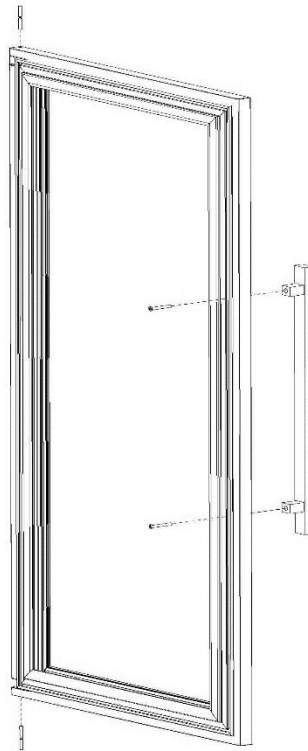


Method of Install Handle

1. Take the handle out of cabinet (the screws of handle had already installed on the door)

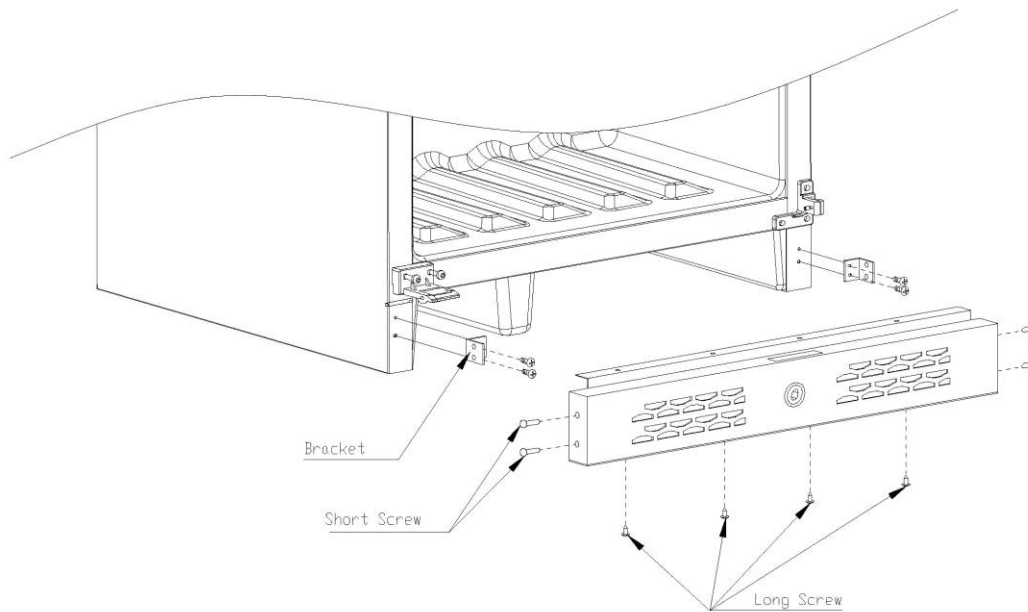
2. Pull open door seal from the side of door, then insert screws into the 2 handle holes on side of door, then put the screws alignment the hole of handle, tighten the screws by Phillips screwdriver, then compress the door seal.

(If the screws holes of the handle don't match perfectly with the holes of the door, please use the electric drill to drill the holes of the door a bit big (in surface side) , in order to install the handle perfectly)



Method of Install Kick-Plate

1. Take the kick-plate out of the cabinet, align the screw holes of the kick-plate with the screw holes on the bracket, and then fix the kick-plate to the brackets on both sides with the short screws
2. Tilt the bottom of the cabinet slightly back and use the long screws to fix kick-plate to the corresponding screw hole on the bottom of the cabinet.



Please kindly attention: Bracket had already installed on the cabinet