



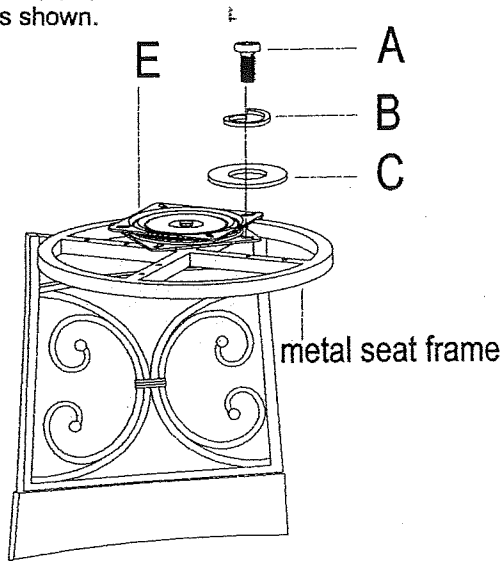
SELECTION MADE SIMPLE
www.americanheritagebilliards.com

ASSEMBLY INSTRUCTIONS TREVISO BAR STOOL

LOOSELY ATTACH EACH SCREW UNTIL FRAME IS ASSEMBLED THEN TIGHTEN WHEN COMPLETE

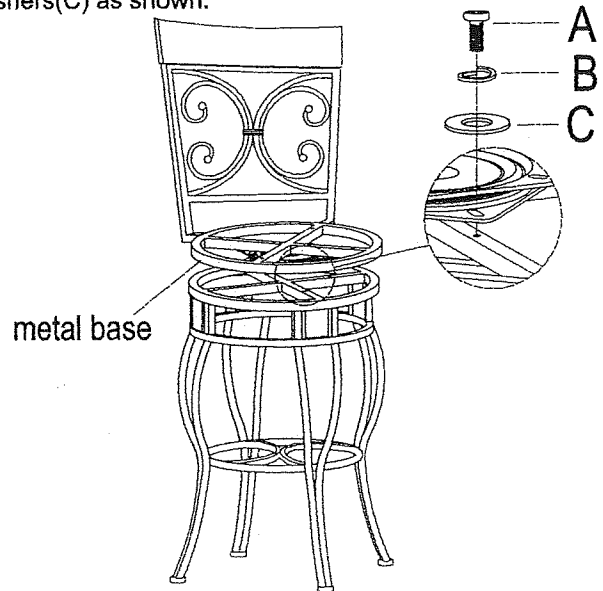
1 STEP:1

1) Attach swivel plate(E) to metal seat frame by using 4pcs Philip head bolts(A), 4pcs Lock washers(B) and 4pcs flat washers(C) as shown.



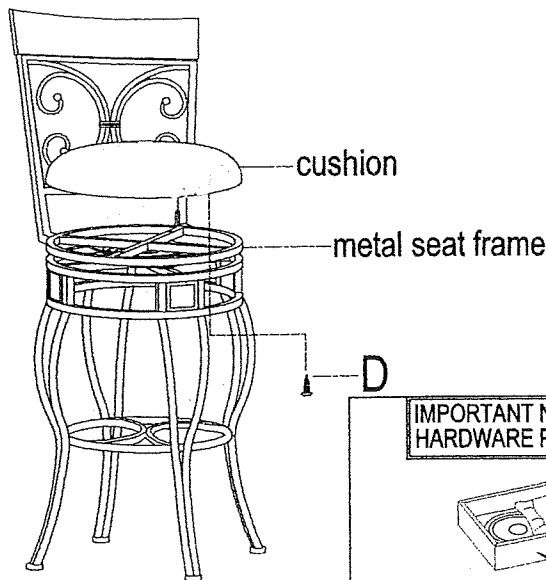
2 STEP:2

2) Attach swivel plate(E) to metal base by using 4pcs Philip head bolts(A), 4pcs Lock washers(B) and 4pcs flat washers(C) as shown.



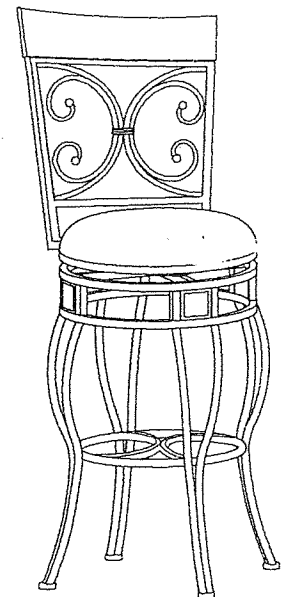
3 STEP:3

3) Attach cushion to metal seat frame by using 4pcs screws(D)

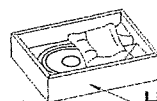


4 STEP:4

4) Assembly is complete



IMPORTANT NOTE:
 HARDWARE PACK LOCATON



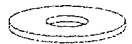
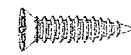



Hardware Box

HARDWARE PACK

MADE IN CHINA

CHECK THAT THE FOLLOWING PARTS ARE IN CARTON

<p>A</p>  <p>Philip head bolt 1/4"×15mm 8PCS</p>	<p>B</p>  <p>LOCK WASHER 1/4" 8PCS</p>	<p>C</p>  <p>FLAT WASHER Ø16×1.2mm 8PCS</p>	<p>D</p>  <p>SCREW Ø5×30mm 4PCS</p>	<p>E</p>  <p>SWIVEL PLATE 160×160×24mm 1PC</p>
---	---	--	--	---