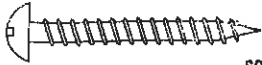



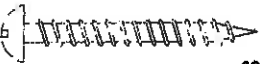
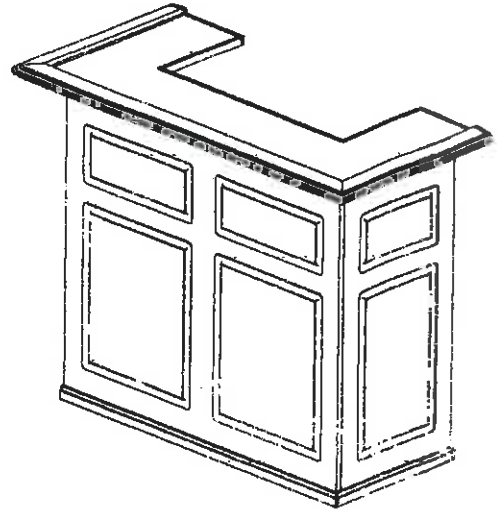


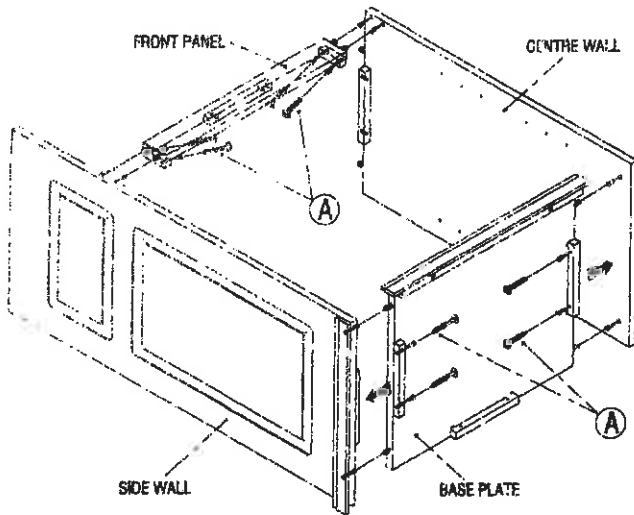
ASSEMBLY INSTRUCTION

TRENTON BAR COUNTER

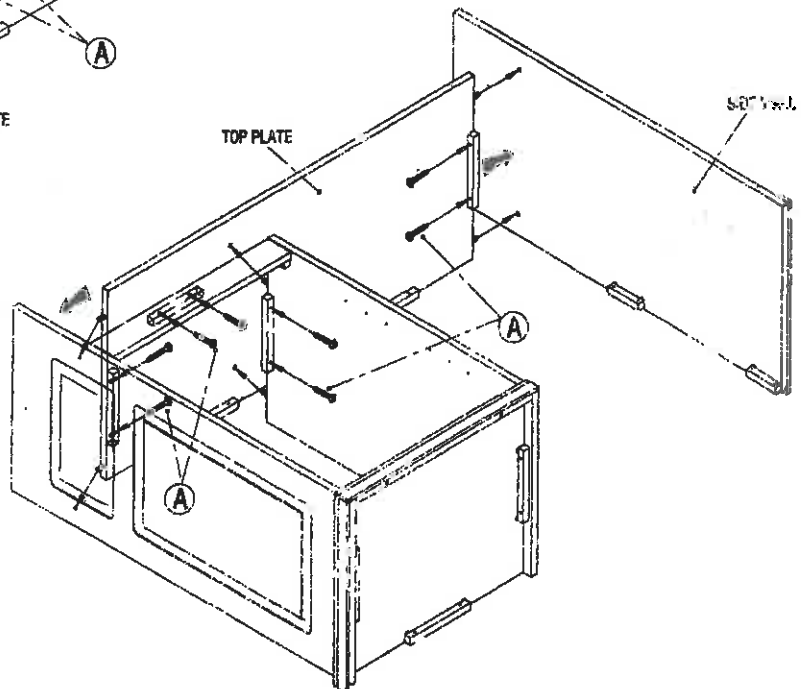
HARDWARE LIST		QTY	OUTLOOK
A	SCREW (1-1/8")	34	 SCALE 1:1
B	SHELF PIN	8	
C	SHELF SCREW	8	 SCALE 1:1
D	CUP HOLDER	4	
E	BAR TOP SCREW (1-1/8")	10	 SCALE 1:1



STEP 1:



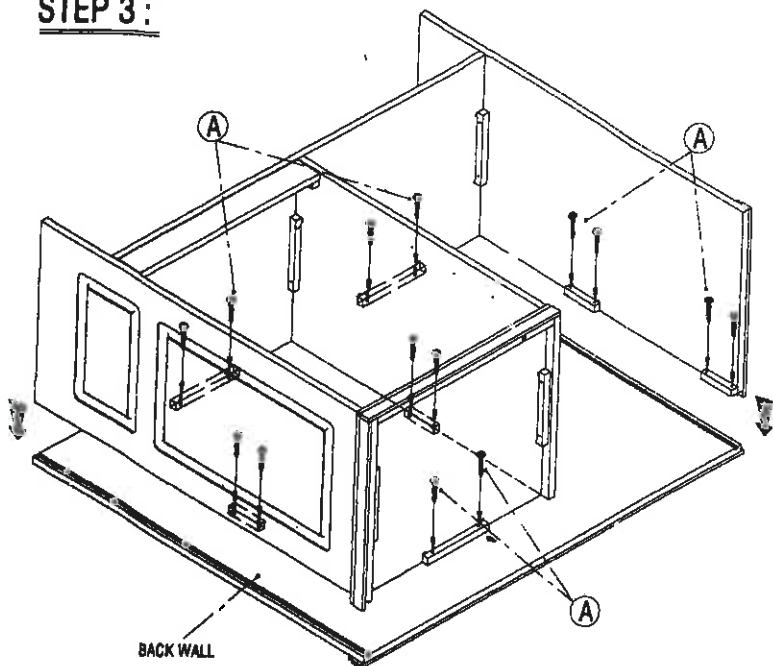
STEP 2:



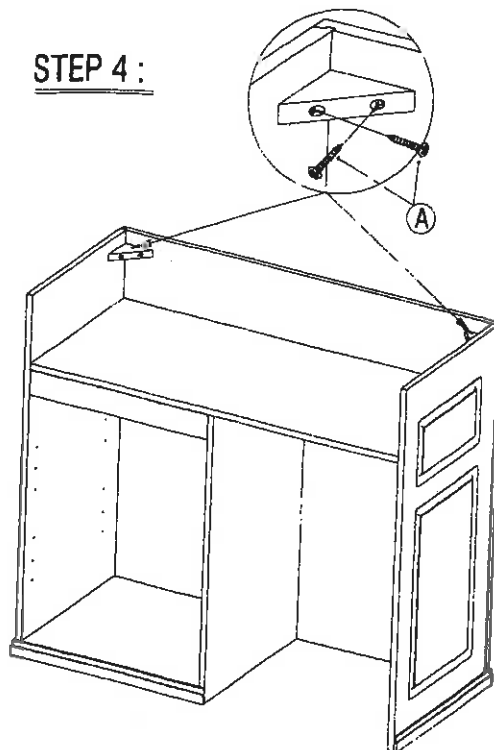
*** IMPORTANT**
PLS STRONGLY TIGHTEN USING SCREWDRIVER

ASSEMBLY INSTRUCTION
TRENTON BAR COUNTER

STEP 3:

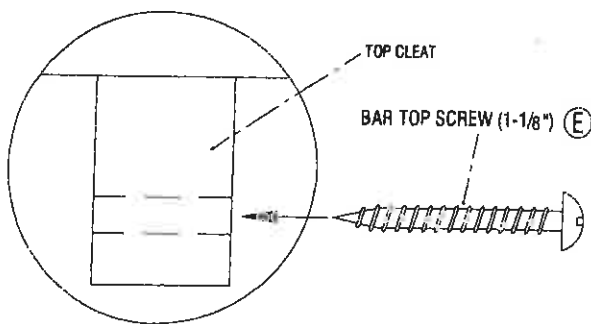


STEP 4:

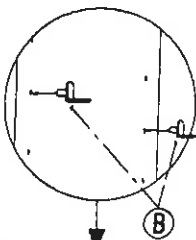


STEP 5:

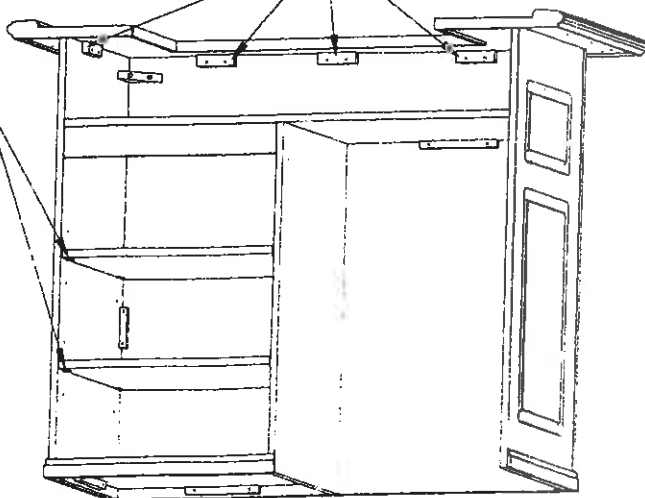
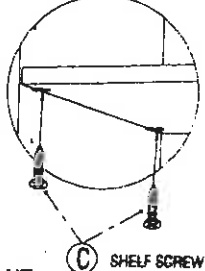
STEP 5-3:



STEP 5-1:



STEP 5-2:



*** IMPORTANT**
PLS STRONGLY TIGHTEN USING SCREWDRIVER