

— EST. 1987 —

A H B

HOME FURNITURE COLLECTIONS

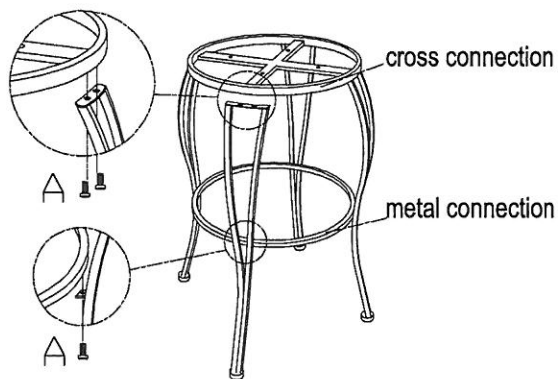
ASSEMBLY INSTRUCTIONS

ROMANO STOOL

LOOSELY ATTACH EACH SCREW UNTIL FRAME IS ASSEMBLED THEN TIGHTEN WHEN COMPLETE

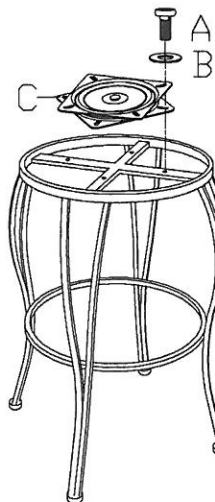
1 STEP:1

Attach the chair legs to the metal connection by using Bolts(A), then attach the chair legs to the cross connection by using Bolts(A), as shown.



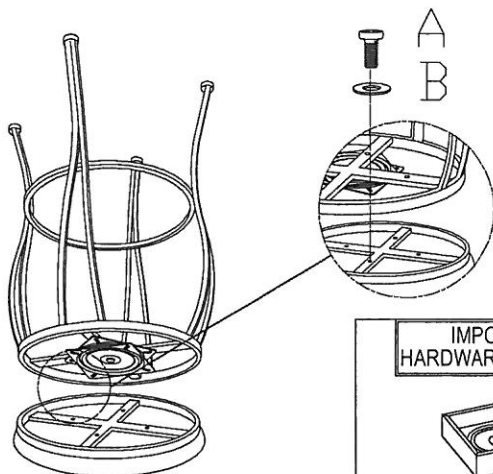
2 STEP:2

Attach swivel plate(C) to the chair base by using bolts(A) and washers (B), as shown.



3 STEP:3

Attach chair seat frame to the swivel plate by using bolts(A) and washers(B), as shown.



4 STEP:4

Assembly is complete.



IMPORTANT NOTE:
HARDWARE PACK LOCATION



Hardware Box

HARDWARE PACK

MADE IN CHINA

CHECK THAT THE FOLLOWING PARTS ARE IN CARTON

A



Allen Bolt
1/4"×12mm 20PCS

B



FLAT WASHER
Ø16×1.2mm 8PCS

C



SWIVEL PLATE
160×160×20mm 1PC

D



ALLEN WRENCH