

# FANTASTIC ECO

The natural way of taste – sustainability meets independence.

Experience freshness at your fingertips. This juicer combines the design and quality hallmarks of the Fantastic series with an elegant manual drive.

- Self-service machine, manually operated by levering the wheel, non-electric
- Clean and silent juicing solution for any location – indoor or outdoor
- 2-Zones-Technology for highest hygiene and time efficiency
- Precision cutting SCS Up & Down ensures highest juice purity
- Userfriendly disassembly thanks to Cross Holder and Double Cover
- Manual Transport System (MTS): easy cleaning of the fruit sieve
- Made of food-grade stainless steel for improved hygiene and outstanding durability



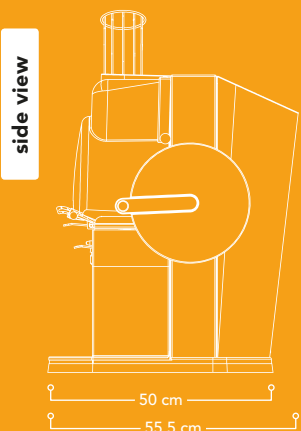
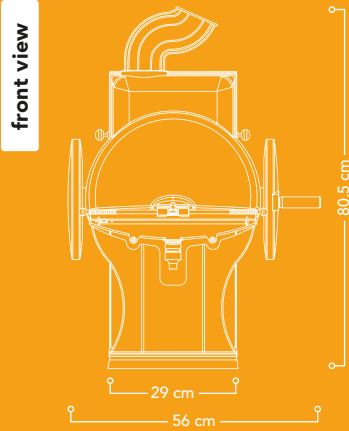
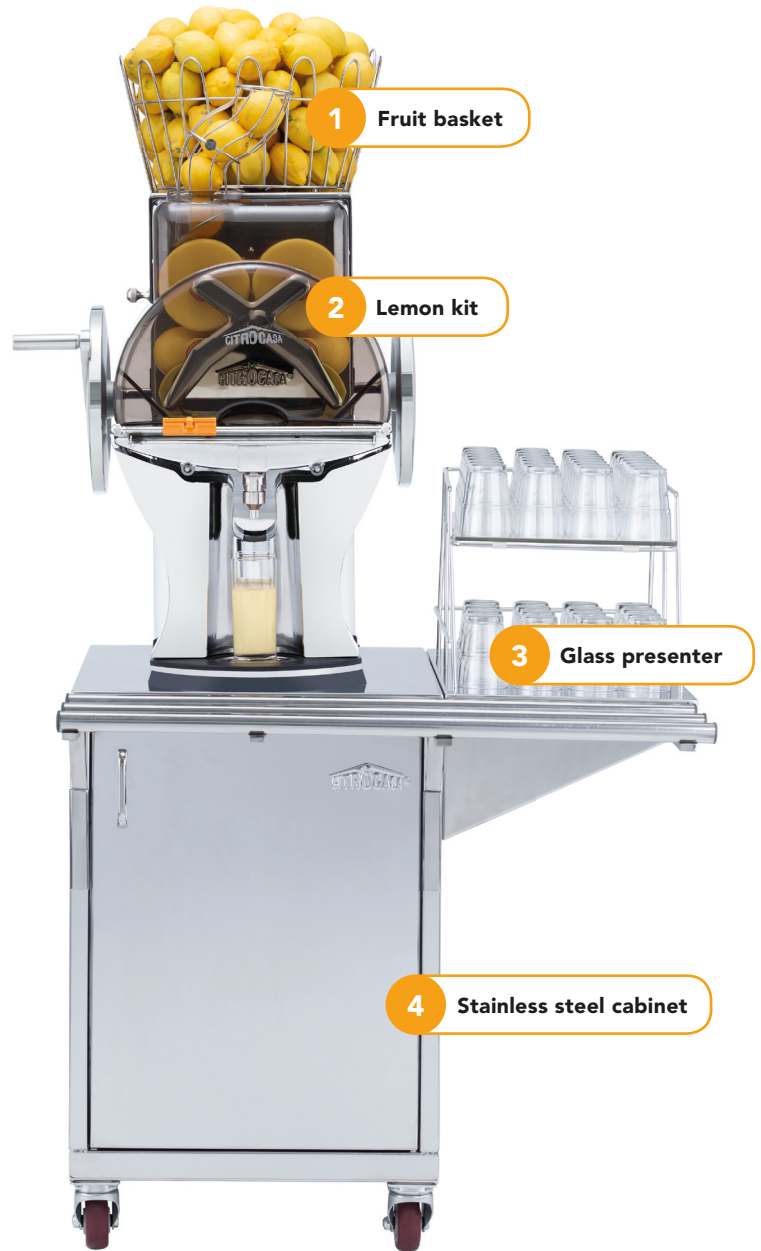
# FANTASTIC ECO

Fruit supply  
**4 oranges**

Optimal fruit size  
**Ø 65 – 78 mm**

Net weight  
**57 kg**

# PERFORMING FRESHNESS



### Optional accessories:

- 1 Fruit storage and presentation (9 kg = 60 fruits)
- 2 Ideal for lemons or smaller oranges with a diameter of 50-65mm
- 3 For perfect presentation at a buffet, mountable left or right
- 4 Stainless steel cabinet for high mobility and perfect convenience

**Further accessories:** tray slide, countertop installation kit, refrigerator, crushed ice cabinet, bottle dispenser, etc.

