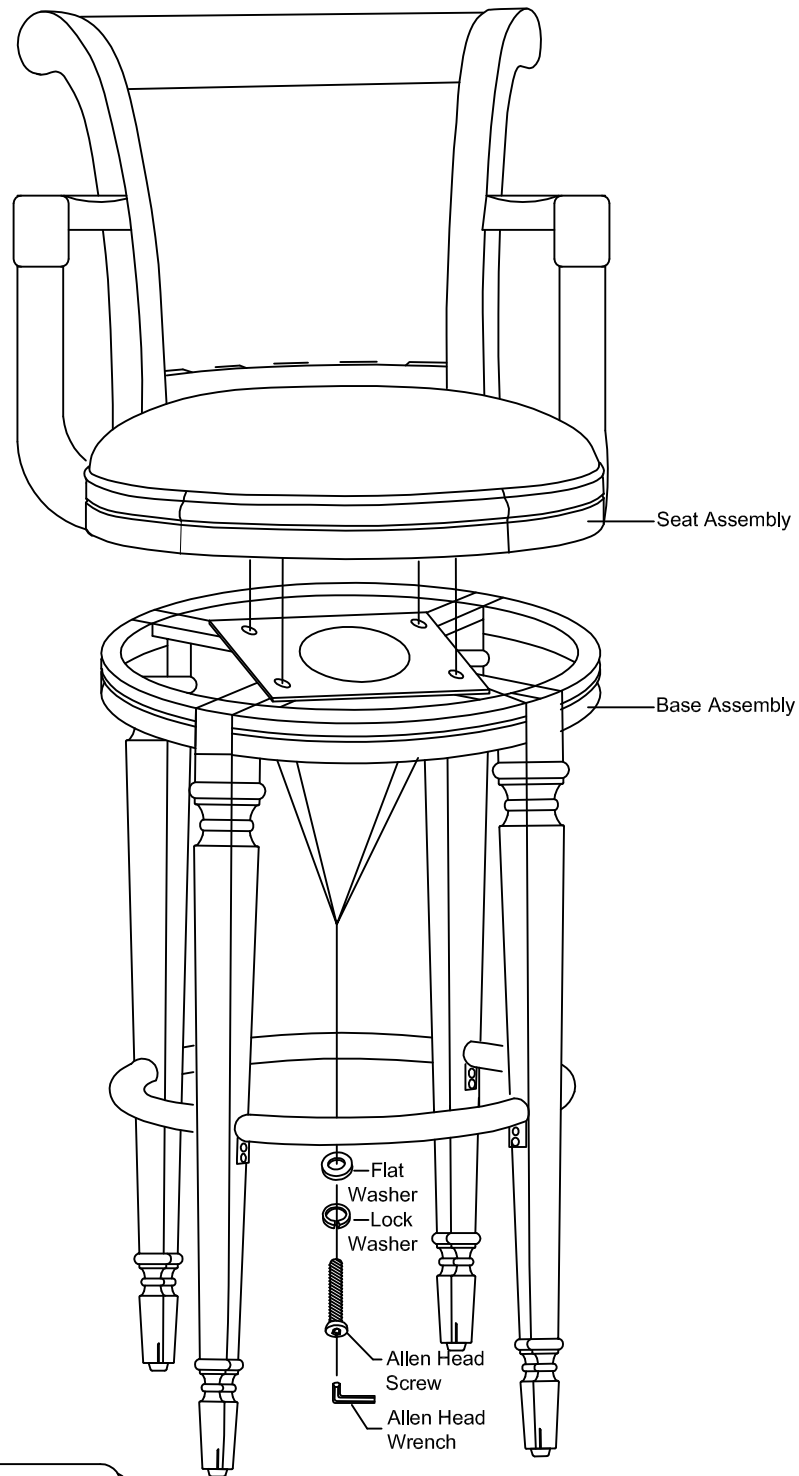


# Bar Stool Assembly Instruction

## Model 697-009







Attach the Seat Assembly to the Base Assembly with hardware as shown.

Periodically check that the screws are tight and secure.

Maximum Weight Capacity=300 pounds

### HARDWARE ENCLOSED

	Flat Washer	4 pieces
	Lock Washer	4 pieces
	Allen Head Screw	4 pieces
	Allen Head Wrench	1 piece