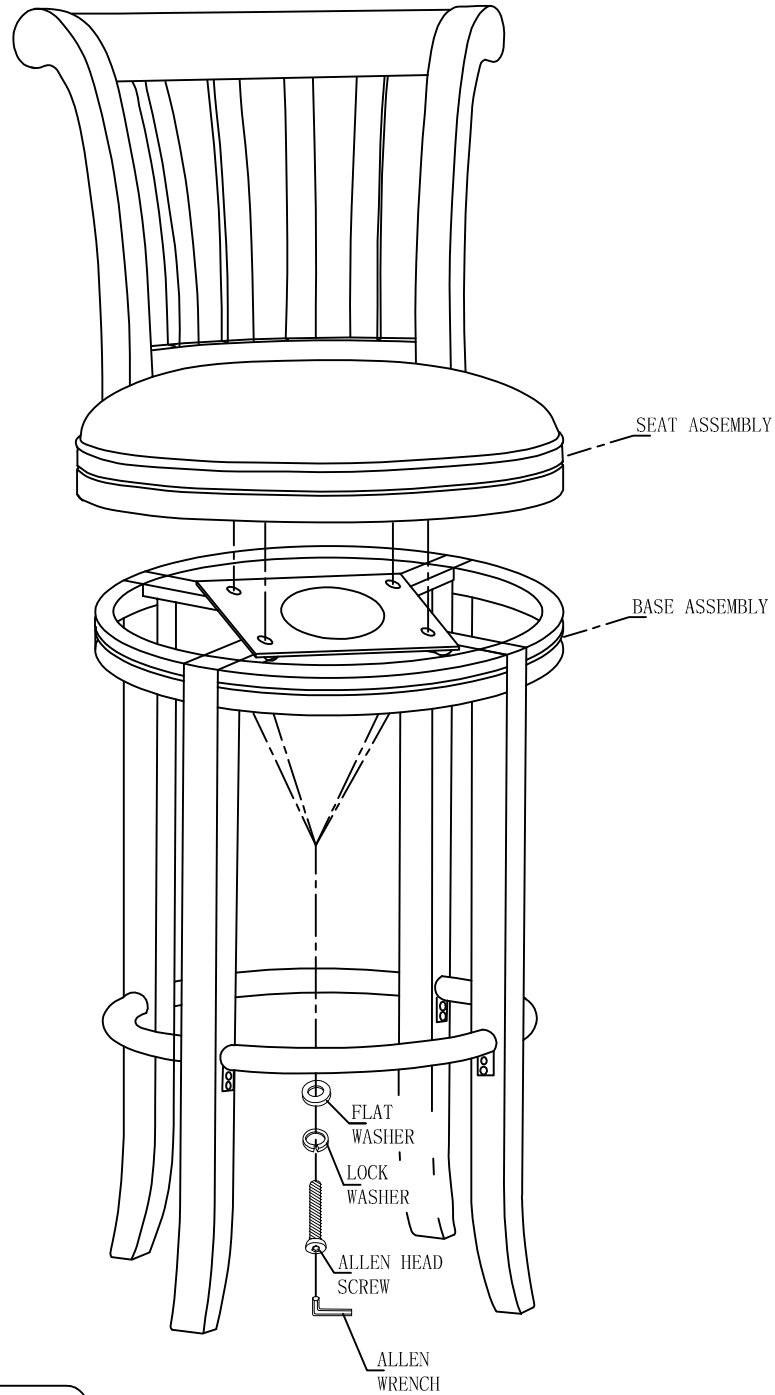


BAR STOOL ASSEMBLY INSTRUCTION

MODEL 697-000



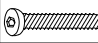



Attach the Seat Assembly to the Base Assembly with hardware as shown.

Periodically check that the screws are tight and secure.

Maximum Weight Capacity = 300 pounds

HARDWARE ENCLOSED

	Flat Washers	4pcS
	Lock Washers	4pcS
	Allen Head Screws	4pcS
	Allen Head Wrench	1pc