



# FANTASTIC F/SB-ATS

## Advanced Performance Exceptional Appeal

MEDIUM TO HIGH VOLUME

30  MIN.

Wow your customers with the most technology on the smallest footprint.

**ON-DEMAND JUICING:** Aesthetically appealing for storefront self-service and highly efficient for staff-operation. The most you can get on only 11" of counterspace.

**SUPERIOR TASTE:** Patented SCS Up&Down dynamic knife delivers precise fruit cuts, reduces peel oil, and yields sweeter-tasting juice. ATS self-clearing sieve automatically removes seeds and excessive pulp.

**MAXIMIZED HYGIENE:** 304 food-grade stainless steel ensures food safety. Dishwasher-safe Double Cover and juicing parts maximize hygiene.

**EFFICIENT OPERATION:** One single Cross Holder secures all juicing elements and speeds up disassembly and cleaning.

**UNMATCHED DURABILITY:** Robust materials and design. Complete triple-sealed separation of juicing and motor zone for durability and longer machine life. Sturdy stainless-steel tap for high-frequency use.

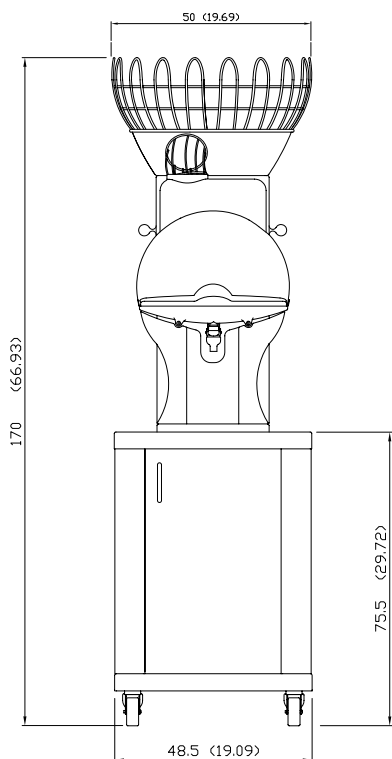
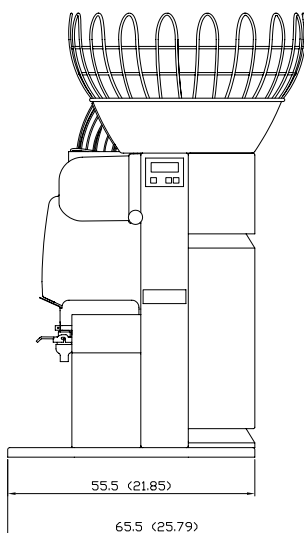
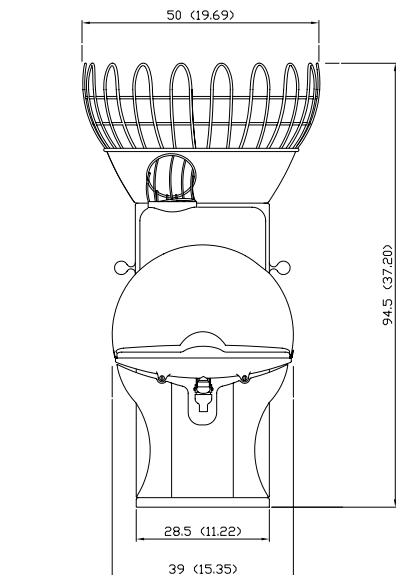
**SMART TECHNOLOGY:** Multi-functional digital display with fruit counter, intelligent stop, and more.

**LUCRATIVE RETURNS:** Exceptional design for a unique customer experience. Easily switch to optional Small Pressing Kit for juicing lemons and limes.



# FANTASTIC F/SB-ATS

# MEDIUM TO HIGH VOLUME CITRUS JUICER



Measurements in cm (in)

Fruit per minute

**30 pieces**

Fruit supply basket

**37 lb**

Fruit type

**Citrus fruit**

Fruit size, Standard Pressing Kit (incl.)

**2.55-3.14 in**

Fruit size, Small Pressing Kit (opt.)

**1.96-2.55 in**

Juicing modes

**Self-service tap /  
Continuous**

Installation

**Free-standing / countertop kit /  
Stainless-steel cabinet**

Net weight

**126 lb**

Power Supply

**120 V / 60 Hz**

Power

**200 W / 0.2 kW**

Fuse / Protection

**6.3 A / IPx1**

Warranty

**Limited 2-year**

Certifications

**NSF, TÜV America, ISEGA,  
ANSI and SCC accredited**

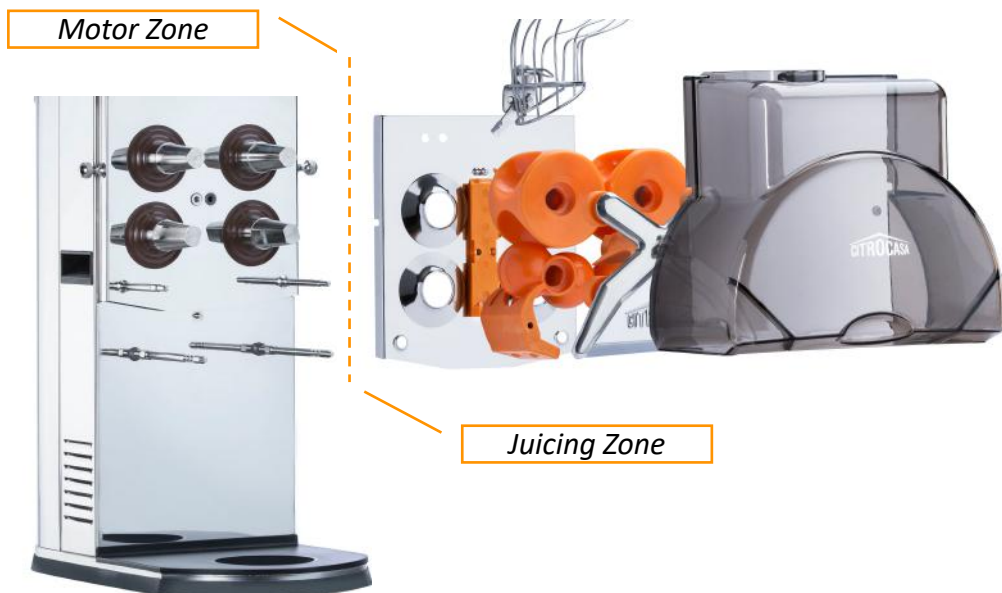
Parts and Support

**(407) 790 7862**

**www.citrusamerica.com**

## 2-ZONE TECHNOLOGY:

Complete separation of *motor zone* and *juicing zone* with stainless-steel Double Cover for improved hygiene and cleaning efficiency.



## OPTIONAL ACCESSORIES:

Small Pressing Kit for lemons and limes |  
Counter-Installation Kit | Rolling Stainless-Steel Cabinet |  
Bottle Dispenser | Slide Tray | Display Shelf